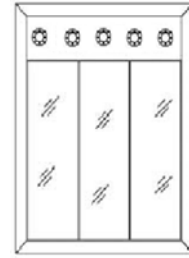


# Ashland MEDICINE CABINET



## FEATURES/TYPICAL SPECIFICATIONS

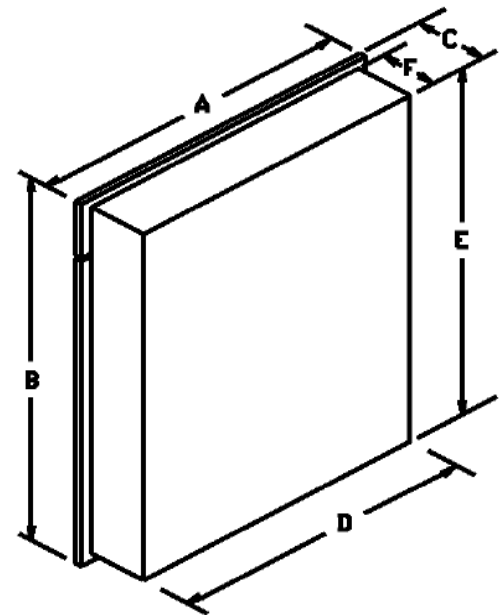
- Surface-Mounted Installation
  - Two Integral Mounting Bars in each of two inner sections
  - Pre-Drilled Mounting Holes (4 typical)
- Housing/Body is Panel Style Construction (WD / FMLS)
  - Particle Board Construction with white PVC Laminate
  - MDF Back Panel
  - Dowel/Glue & Tongue & Groove Construction
  - A partition creates two separate inner sections in the cabinet with one section about twice the width of the other
- Frameless mirror doors, outside doors (2 typical), center door (1 typical)
  - Particle Board Construction with white PVC Laminate
  - Mirrors on the outside doors have 1/2" bevel edge on bottom and outside edge. Center door has 1/2" bevel edge on bottom only. All non-bevel edges are polished.
- Shelves, particle board with white PVC laminate (2 typical in each inner section)
  - Fixed, non-removable (FX)
- Satin Nickel European Hinges, concealed, adjustable, and self-closing on center door (HG12) ( 2 typical)
- Satin Nickel Full Wrap Hinges on each outside door (HG24) (4 typical / 2 per door)
- Magnet in white plastic cover fastened to cabinet body aligns to metal striker plate on the outside doors (2 typical)
- Mirror backed light fixture
  - Top mirror has 1/2" bevel edge on both sides and top with polished bottom edge. Top mirror is positioned so the 1/2" bevel edge completes the full bevel edge perimeter on the cabinet front
  - Satin Nickel (NI4) socket cups (5 typical).
  - Uses five incandescent 60 watt maximum, medium base, G style, 120V bulbs (I60G) - bulbs not included.
- Includes Mounting Hardware

**Finishes:**

Housing: PT02-Classic White

Mirror: Combination 1/2 BVL -1/2" Bevel Edge and POL1- Polished Edge

Frame: Frameless



**CARB 93120 Phase 2 Compliant  
for Formaldehyde**

All models and material specifications are subject to change or withdrawal without notice.

Model #	Description	Dimensions In Inches					
		A	B	C**	D	E	F
755443	MEDCAB 3DR 36X28 FMLS WD	36	27 <sup>7</sup> / <sub>8</sub>	4 <sup>3</sup> / <sub>4</sub>	34-7 <sup>1</sup> / <sub>16</sub>	26 <sup>3</sup> / <sub>4</sub>	4

\*\* Cabinet depth does NOT include light bulbs, socket cups, or the sockets.

REFERENCE	QTY.	REMARKS	Project
			Location
			Architect
			Engineer
			Contractor
			Submitted by
			Date