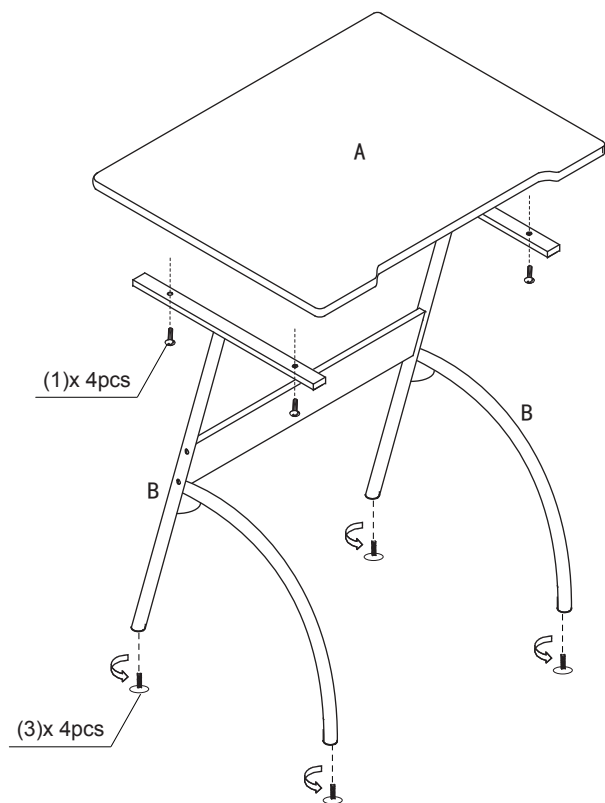
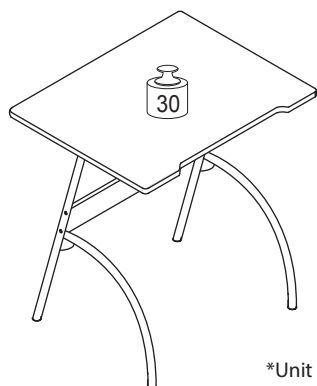


## STEP 2

Attach Top Panel (A) to L/R Support Frame (B) using Screw (1).  
Turn the Adjustable Leg (3) into the bottom of the frame.



### Recommended Maximum Weight



\*Unit in Pound(lbs)

#### **WARNING:**

>This unit has been designed to support the maximum loads shown. Exceeding these load limits could cause sagging, instability, product collapse, and/or serious injury.

>DO NOT allow children to climb on unit.

>Put heavier items on lower shelves.



## **Assembly Instruction**

Furinno Besi Personal Computer Desk

MODEL : **FNBL-22088**

DIMENSION : 23.6"(W) x 28.7"(H) x 18.9"(D)

00:30

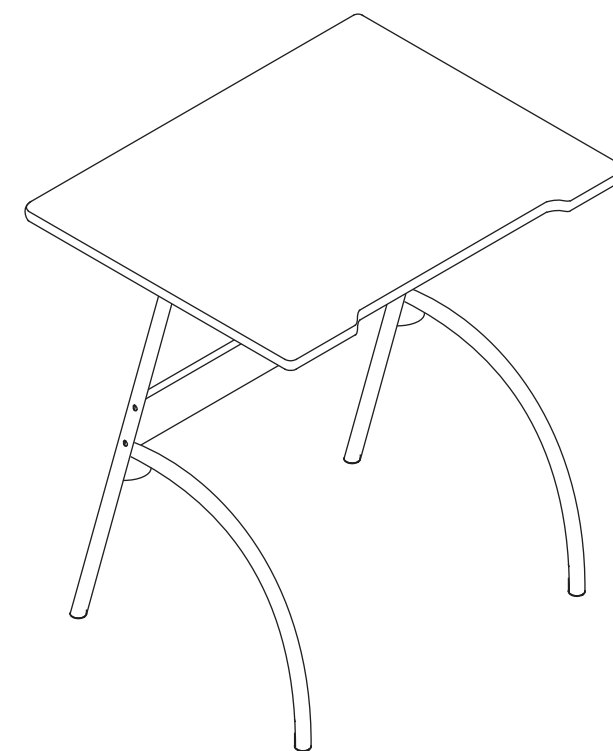
Approx. 30 minutes



Recomm. 1 Person



Tool Required



### Customer Service

Tel/Fax: 281.500.9372




Toll Free: 773.299.8111 (Mon - Fri 9am - 5pm)




Email: support@furinno.com

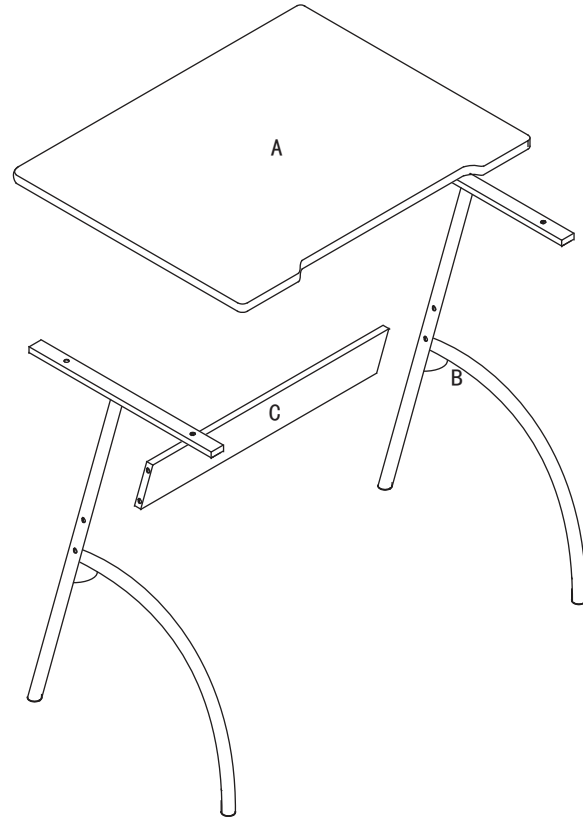
[www.furinno.com](http://www.furinno.com)

Find us on  
**Facebook**

**Pinterest**

No	Hardware List	Qty
1	Screw 	4pcs
2	Screw/Dowel Nut 	4pcs
3	Adjustable Leg 	4pcs

No	Parts List	Qty
A	Top Panel 	1pcs
B	L/R Support Frame 	2pcs
C	Back Cross Panel 	1pcs



**USEFUL HINTS BEFORE YOU START:**

1. Read each step carefully before starting.
2. It is important that each step is performed in correct order to avoid difficulties.
3. Identify, sort and count the parts before assembly.
4. Assemble your furniture on packaging cardboard to prevent scratch or damage.
5. Clean the product with mild cleanser using soft damped cloth. Do not use harsh or abrasive cleanser.
6. Using incompatible hardware might cause damage to product.

**STEP 1**

Attach L/R Support Frame (B) to Back Cross Panel (C) using Screw/Dowel Nut (2), as shown.

