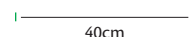
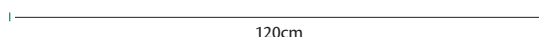
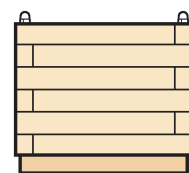
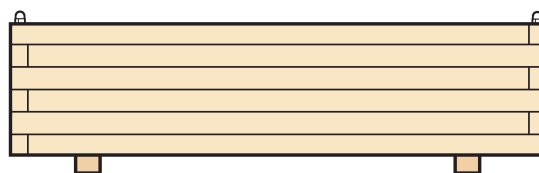
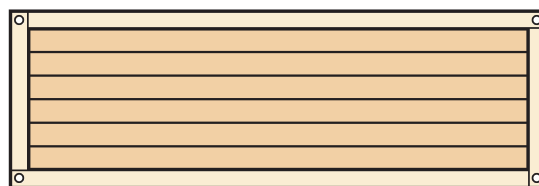


ELITE RECTANGULAR PLANTER

ERP - 31cm [H] x 120cm [W] x 40cm [D]



PLAN



CODE ERP

©2015 Grange Fencing Ltd
All rights reserved.
In line with the Company's policy of continuous product development, the right is reserved to change and improve product design without prior notice.

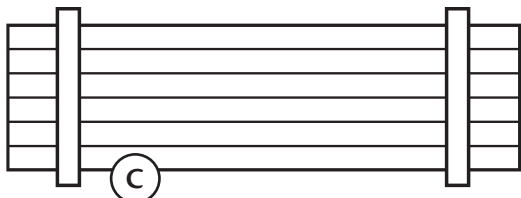
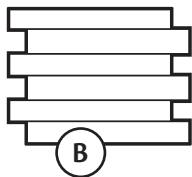
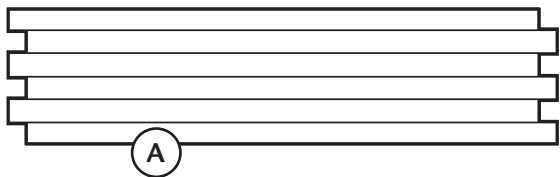
All products and related emblems featured are trademarks of Grange Fencing Ltd.

www.grangefen.co.uk



ASSEMBLY INSTRUCTIONS

ELITE RECTANGLE PLANTER



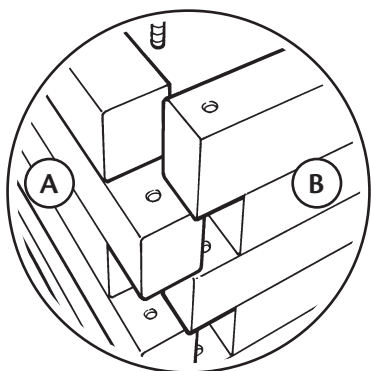
PARTS LIST

(A)	Long Side	x 2
(B)	Short Side	x 2
(C)	Base Section	x 1

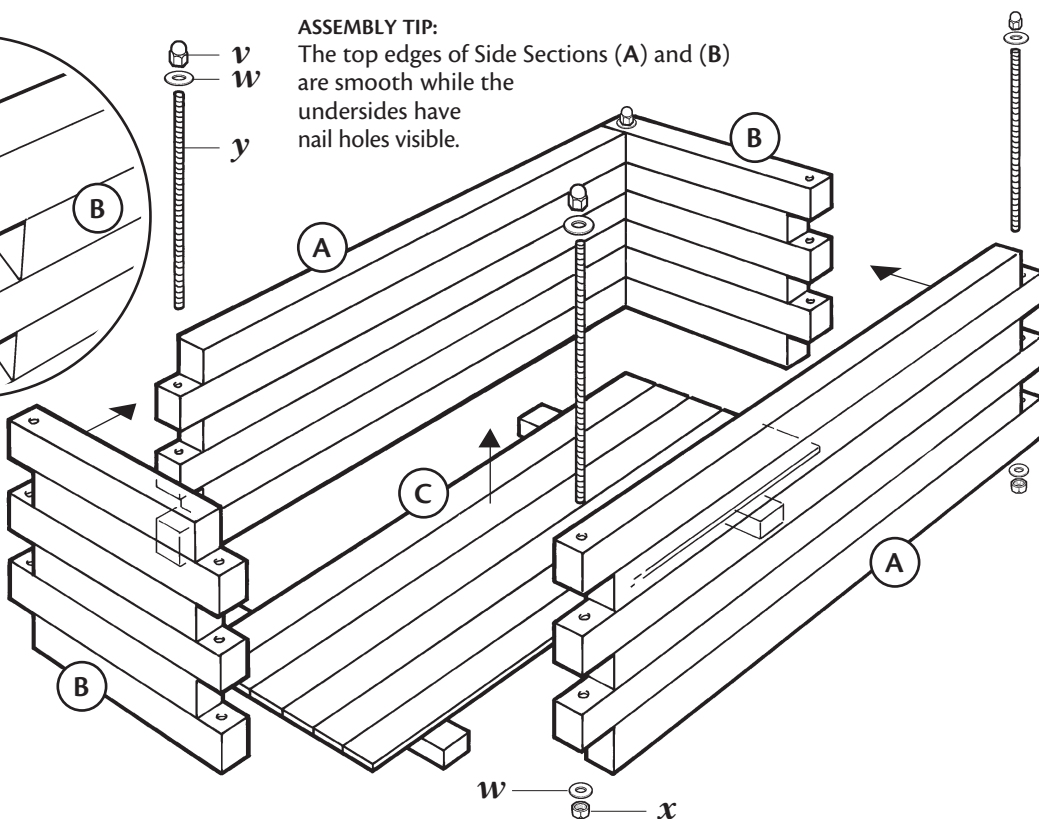
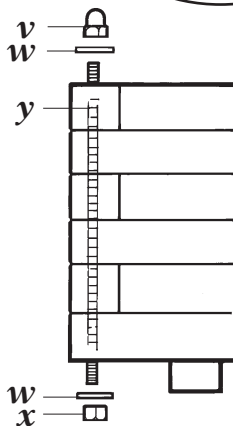
HARDWARE

	v	Top Nut	x 4
	w	Washers	x 8
	x	Base Nut	x 4
	y	Long Bolt	x 4
	z	Screws	x 4

TOOLS REQUIRED:
RUBBER MALLET / SCREWDRIVER / SPANNER



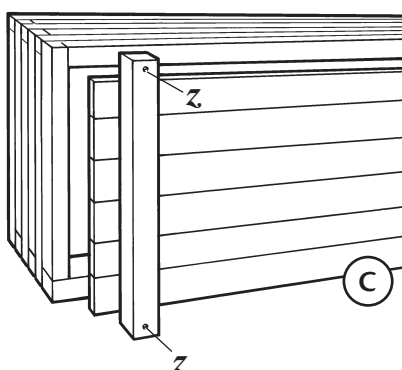
ASSEMBLY TIP:
The top edges of Side Sections (A) and (B) are smooth while the undersides have nail holes visible.



With the interlocking corners in position it may be advisable to use a rubber mallet to 'gently' drive the long bolt (y) through the aligned holes.



Use your Spanner to tighten the top and bottom nuts (v and x)



Insert the Base Section (C) into the bottom of the assembled planter and secure in position with the four screws (z)