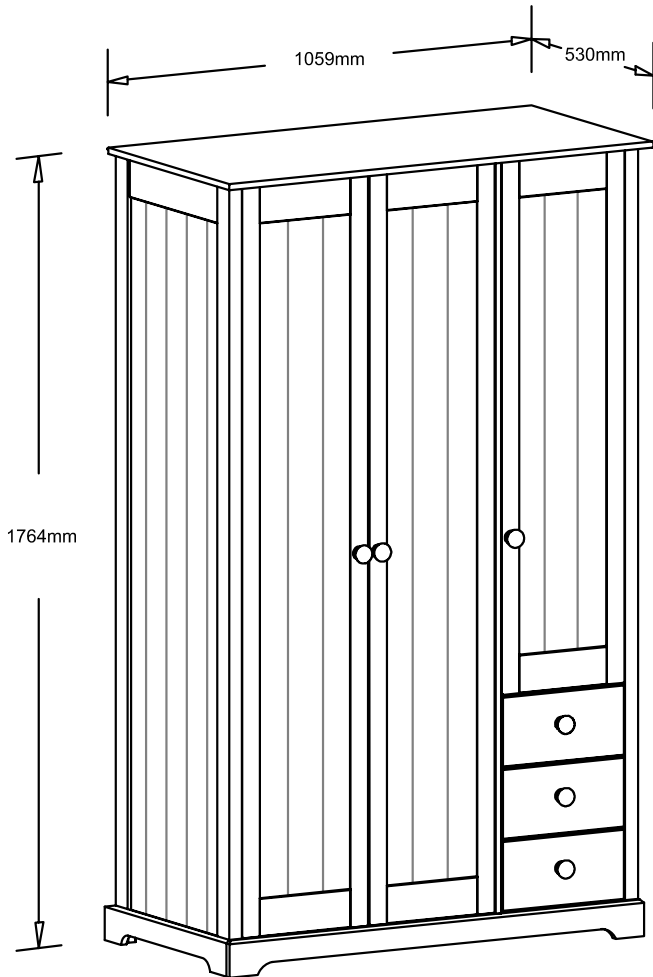
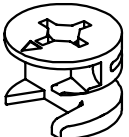
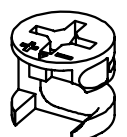
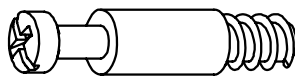



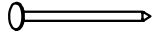
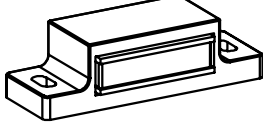

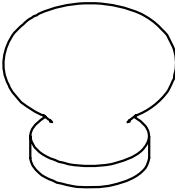
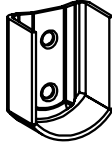
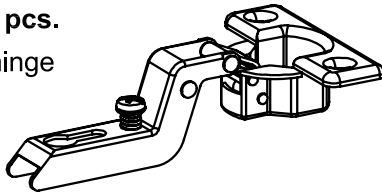
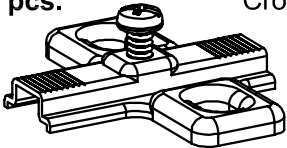
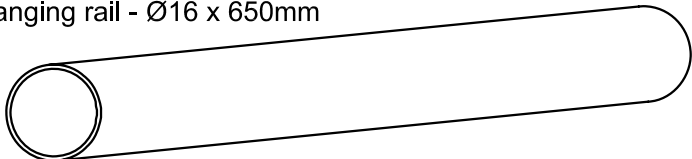
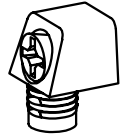
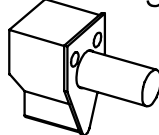
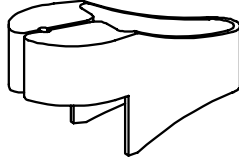
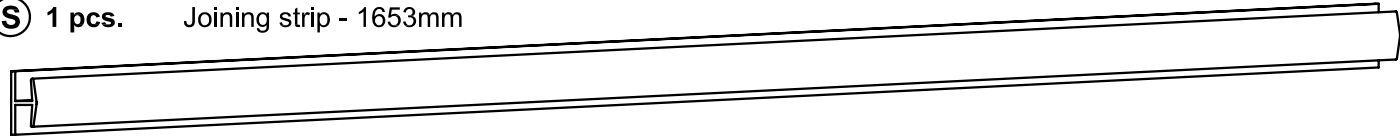
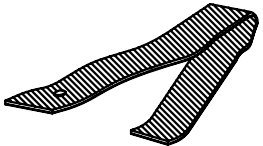

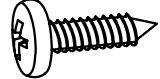


# BALTIC WARDROBE 3 DOORS 3 DRAWERS



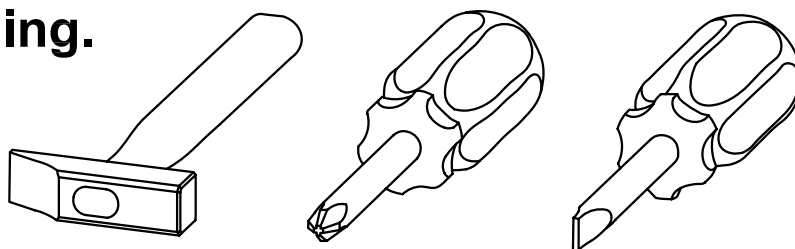
Please check all parts before you begin to assemble the item.  
This to make sure you always use the correct part.

## Fittings contained in the box.

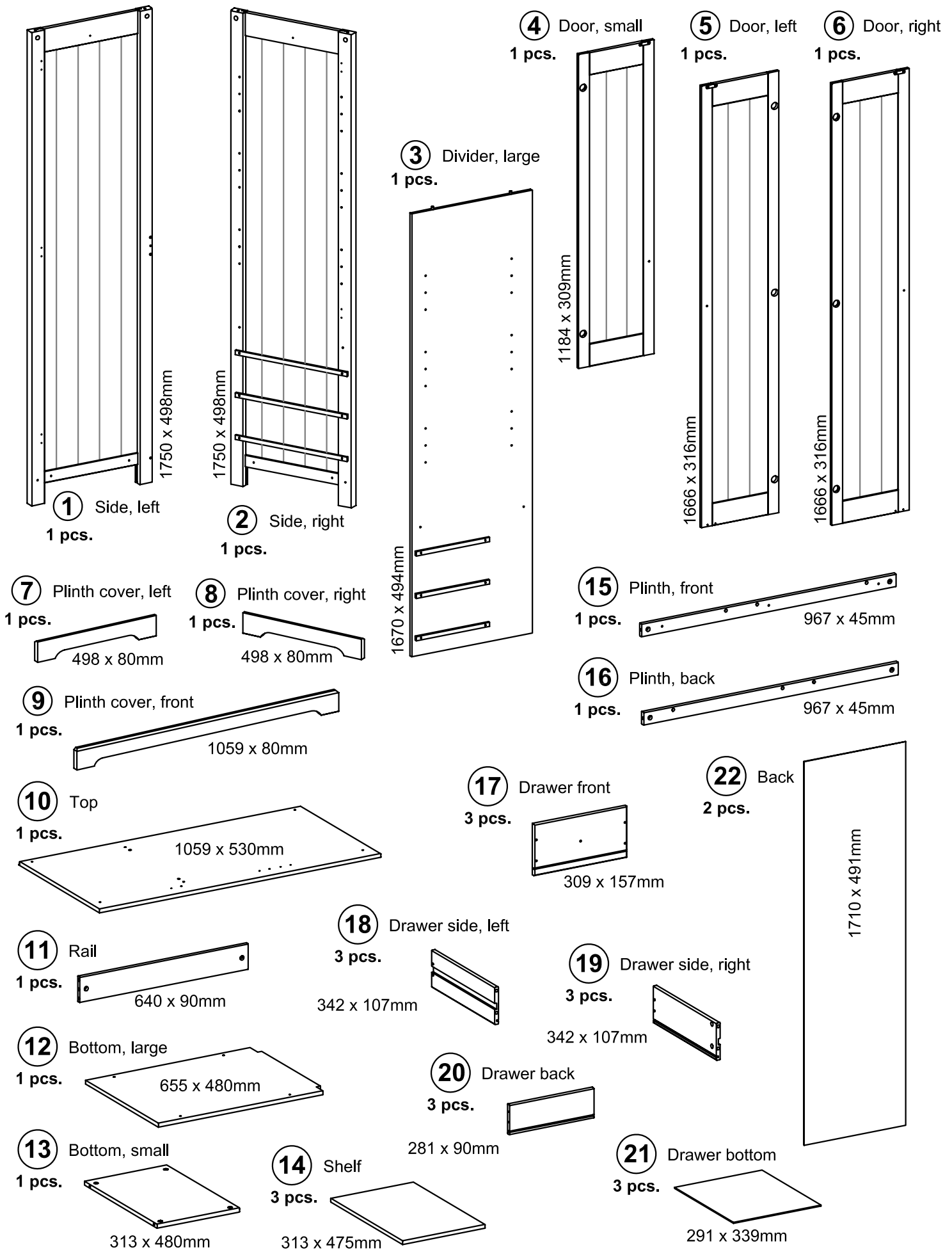
<p><b>A</b> 16 pcs. Cam - Ø15 x 12mm</p> 	<p><b>B</b> 12 pcs. Cam - Ø12 x 10,5mm</p> 	<p><b>C</b> 28 pcs. Bolt - Ø6,5 x 24/11mm</p> 
<p><b>D</b> 34 pcs. Screw - Ø3,5 x 12mm</p> 	<p><b>E</b> 17 pcs. Screw - Ø3,5 x 25mm</p> 	<p><b>F</b> 18 pcs. Screw - Ø3,5 x 35mm</p> 
<p><b>G</b> 30 pcs. Nail - 1,2 x 20mm</p> 	<p><b>H</b> 3 pcs. Magnet</p> 	<p><b>J</b> 4 pcs. Dowel - Ø8 x 30mm</p> 
<p><b>K</b> 6 pcs. Knob - Ø40 x 30mm</p> 	<p><b>L</b> 2 pcs. Hanging rail cup</p> 	<p><b>M</b> 8 pcs. Cup hinge</p> 
<p><b>N</b> 8 pcs. Cross plate</p> 	<p><b>O</b> 1 pcs. Hanging rail - Ø16 x 650mm</p> 	
<p><b>P</b> 6 pcs. Miniblock</p> 	<p><b>Q</b> 12 pcs. Shelf support Ø5mm</p> 	<p><b>R</b> 1 pcs. Nail Guide</p> 
<p><b>S</b> 1 pcs. Joining strip - 1653mm</p> 		
<p><b>T</b> 1 pcs. Wall strap</p> 	<p><b>U</b> 1 pcs. Washer</p> 	<p><b>V</b> 1 pcs. Screw - Ø4 x 13mm</p> 

**Hazard Warning !**  
**Keep small components out of the reach of children.**

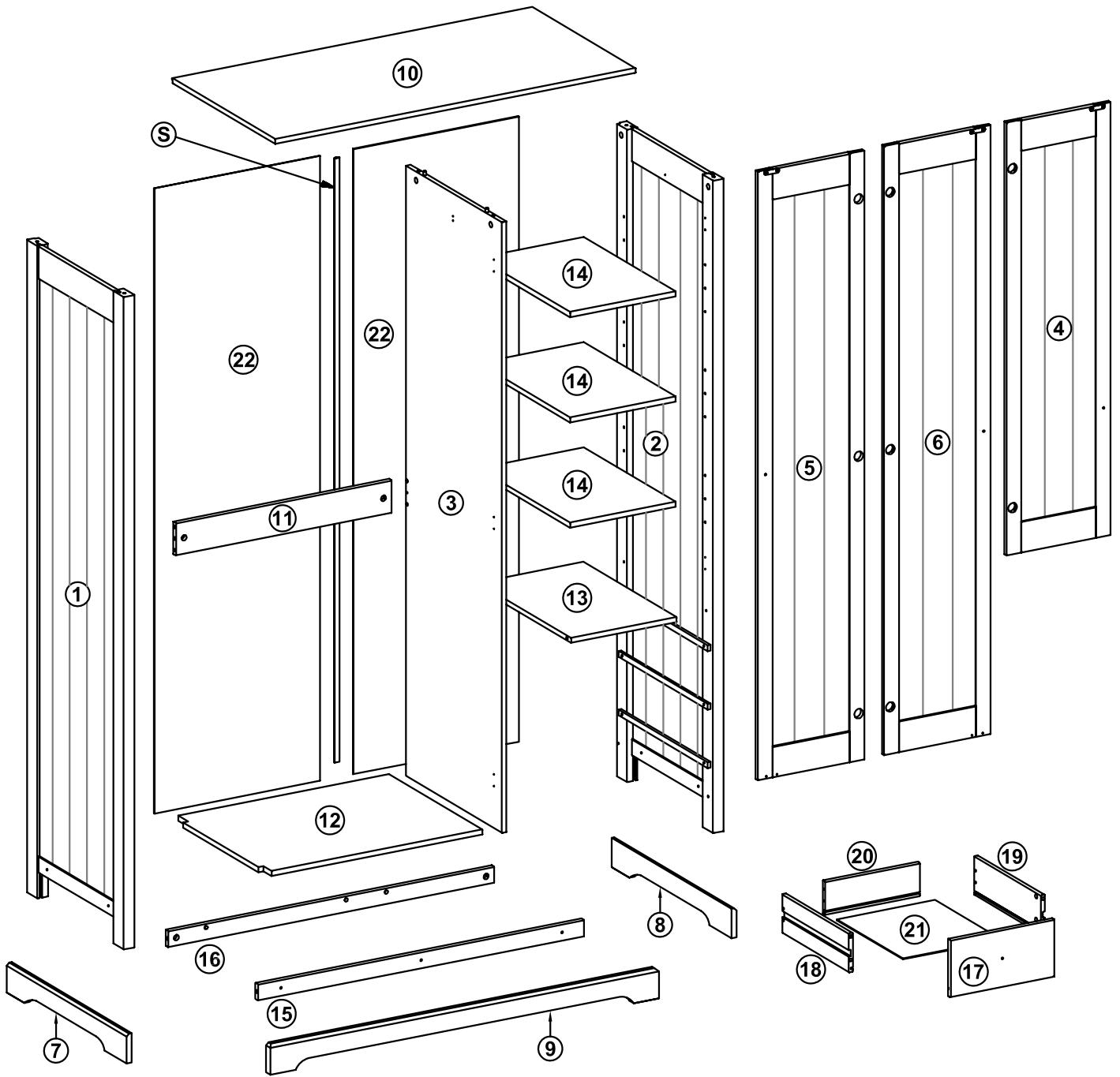
## Tools needed for assembling.



# Wooden parts contained in the box.



# Key diagram.



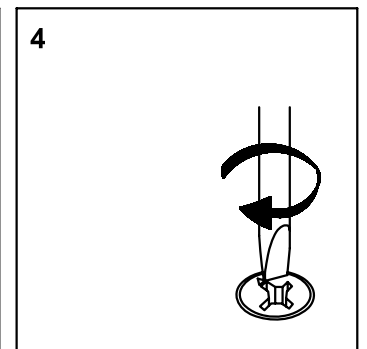
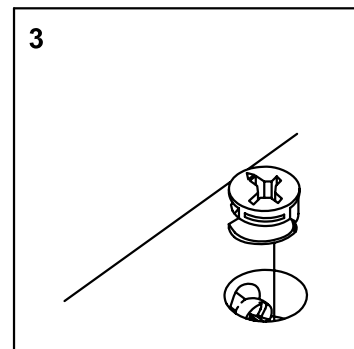
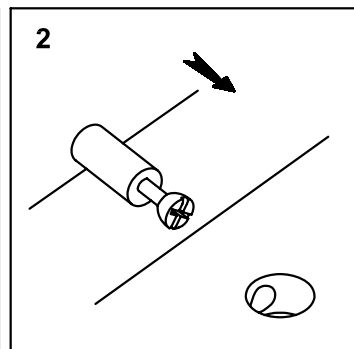
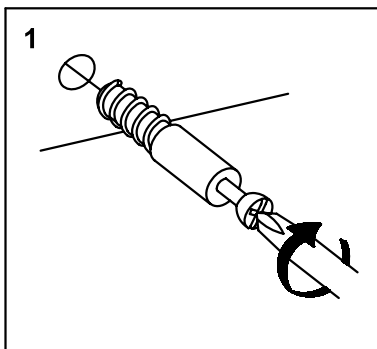
## Assembly of cam and bolt.

**Step 1:**  
Fix the bolt to the wooden panel.

**Step 2:**  
Push the wooden panel with the attached bolt onto the other wooden panel.

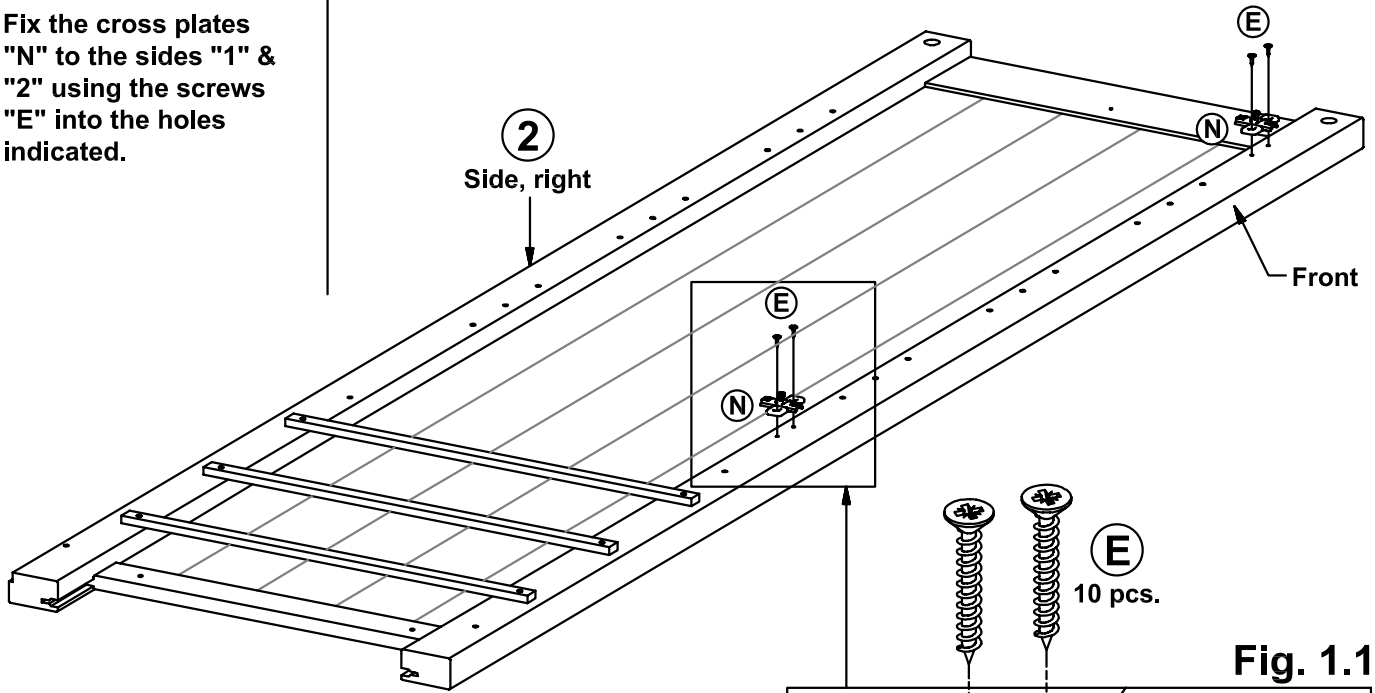
**Step 3:**  
Place the cam into the hole, arrow pointing towards the bolt.

**Step 4:**  
Tighten: Turn the cam to the right.



# 1. Mounting the cross plates to the sides.

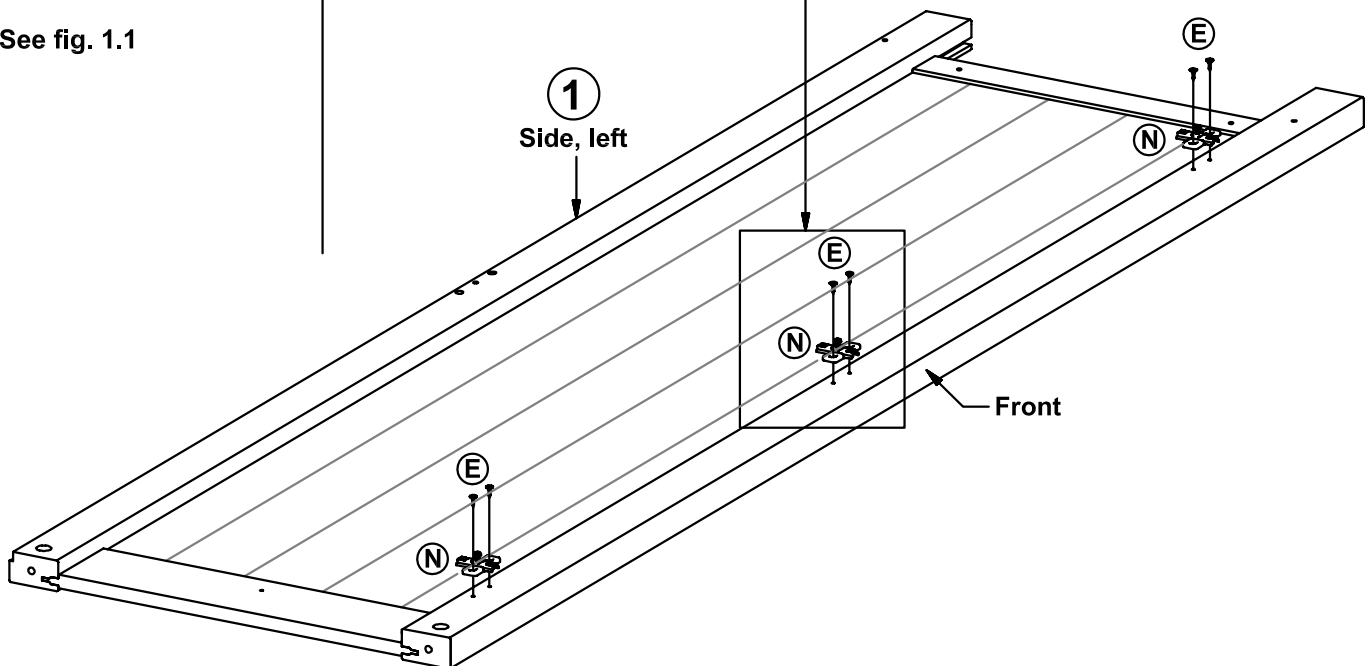
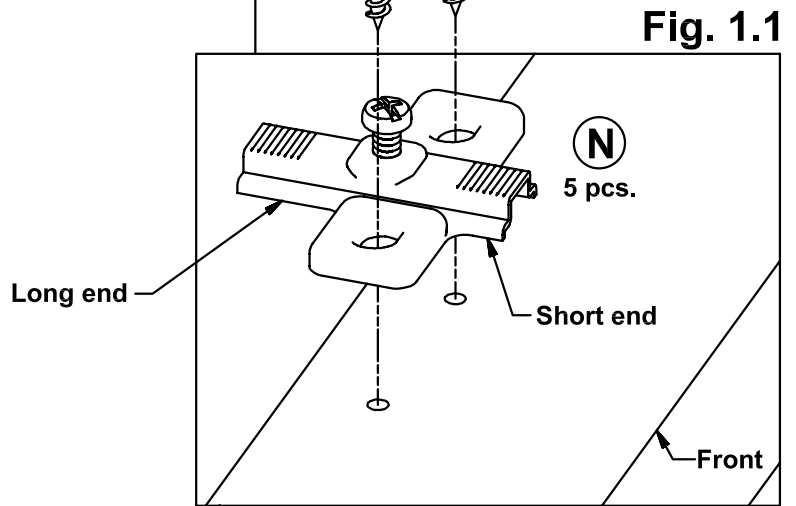
Fix the cross plates "N" to the sides "1" & "2" using the screws "E" into the holes indicated.



It is important that the cross plates is placed exactly as shown.

The short end of the cross plates must point towards the front edge of the sides.

See fig. 1.1



## 2. Mounting the bolts, hanging rail cups & the plinth covers to the sides.

Screw the bolts "C" into the holes indicated on the sides "1" and "2".

Fix the hanging rail cups "L" onto the sides "1" using screws "D" into the pre-drilled holes.

See fig. 2.1

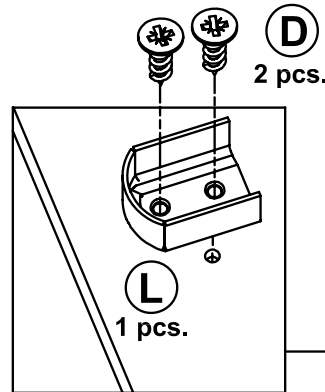
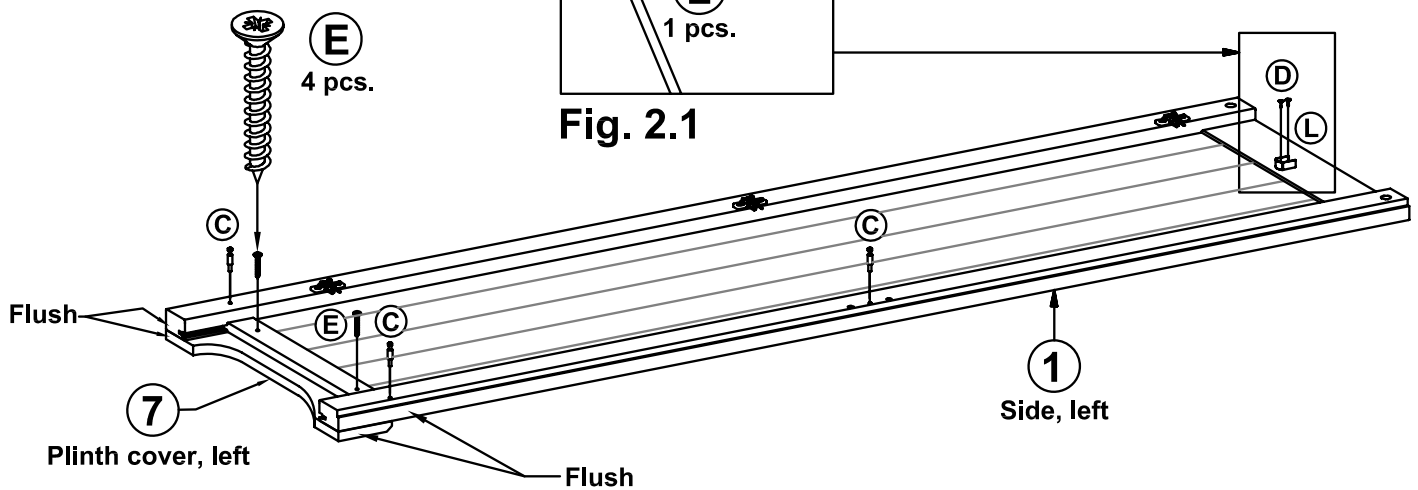
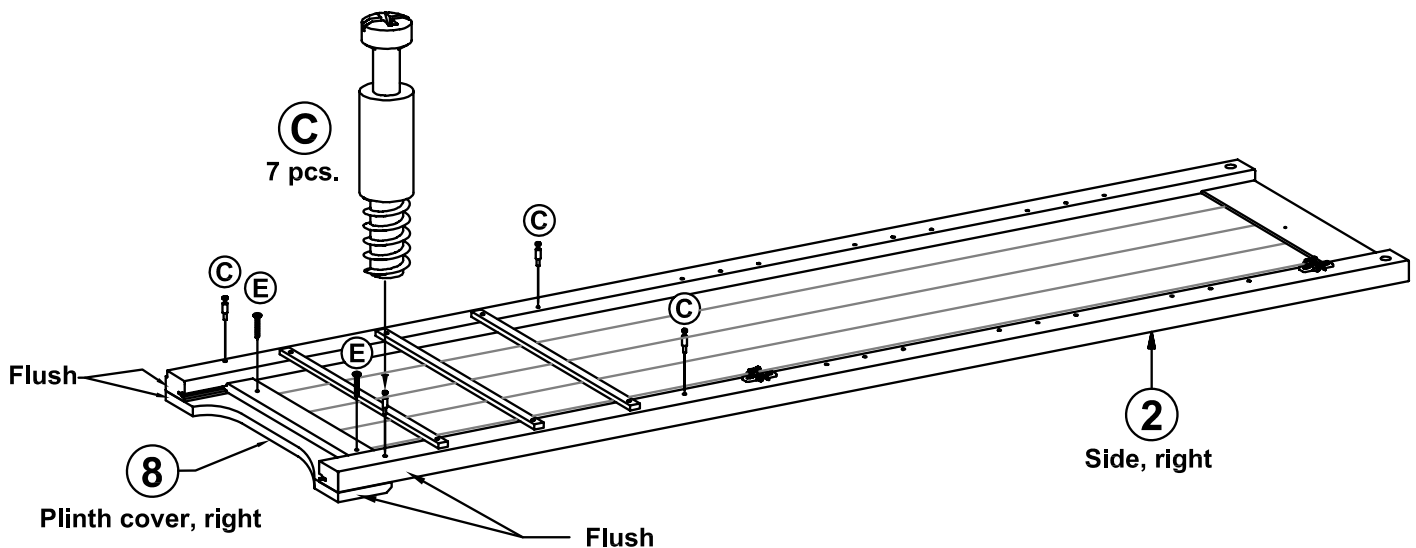


Fig. 2.1



Fix the plinth cover, left and right "7" and "8" to the side left and right "1" and "2" using screws "E".

The grooves of the plinth cover left, right and the sides should be turned exactly as shown.



### 3. Mounting the cross plates and hanging rail cup to the divider.

Fix the cross plates "N" onto the left hand side of the divider "3" using the screws "D".

It is important that the cross plates is placed exactly as shown.

The short end of the cross plates must point towards the front edge of the sides.

See fig. 3.1

Fix the hanging rail cup "L" onto the left hand side of the divider "3" using screws "D" into the pre-drilled holes.

See fig. 3.2

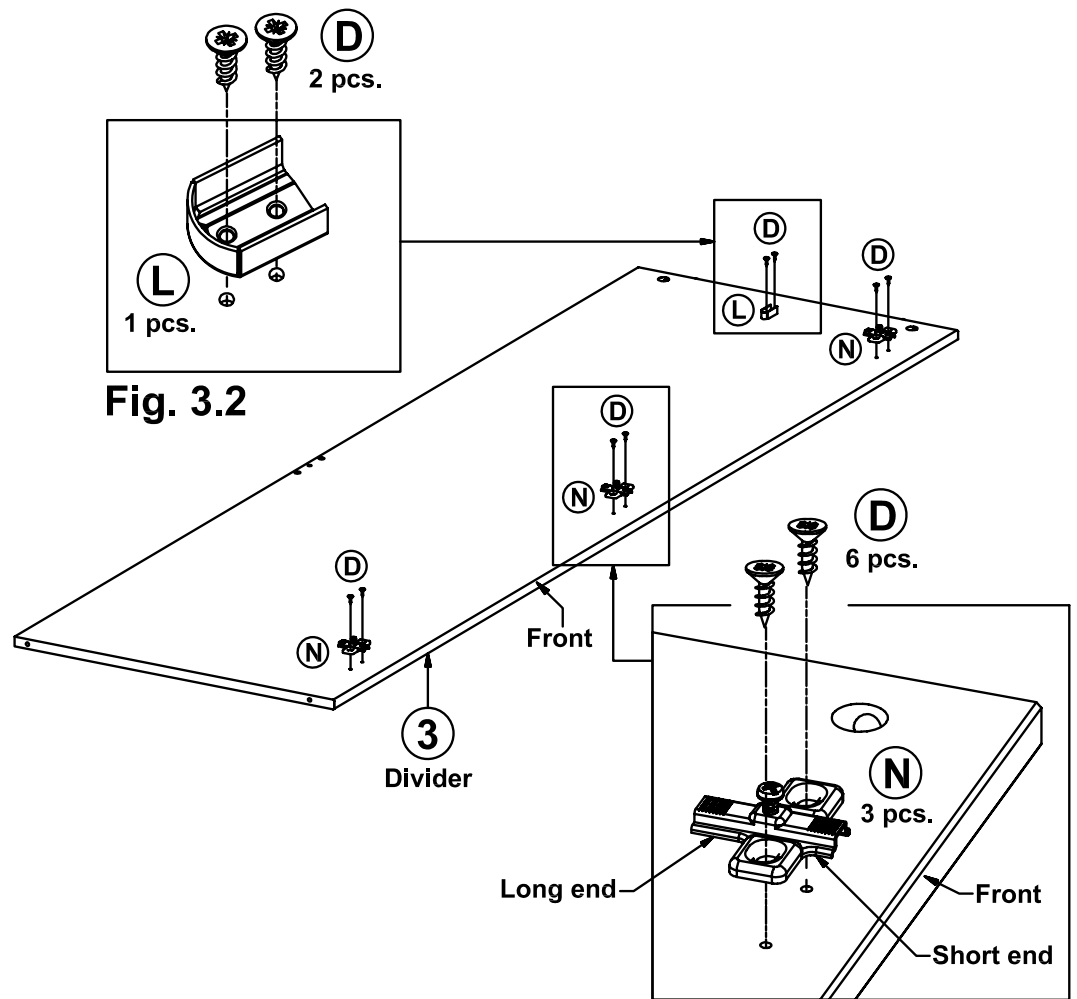
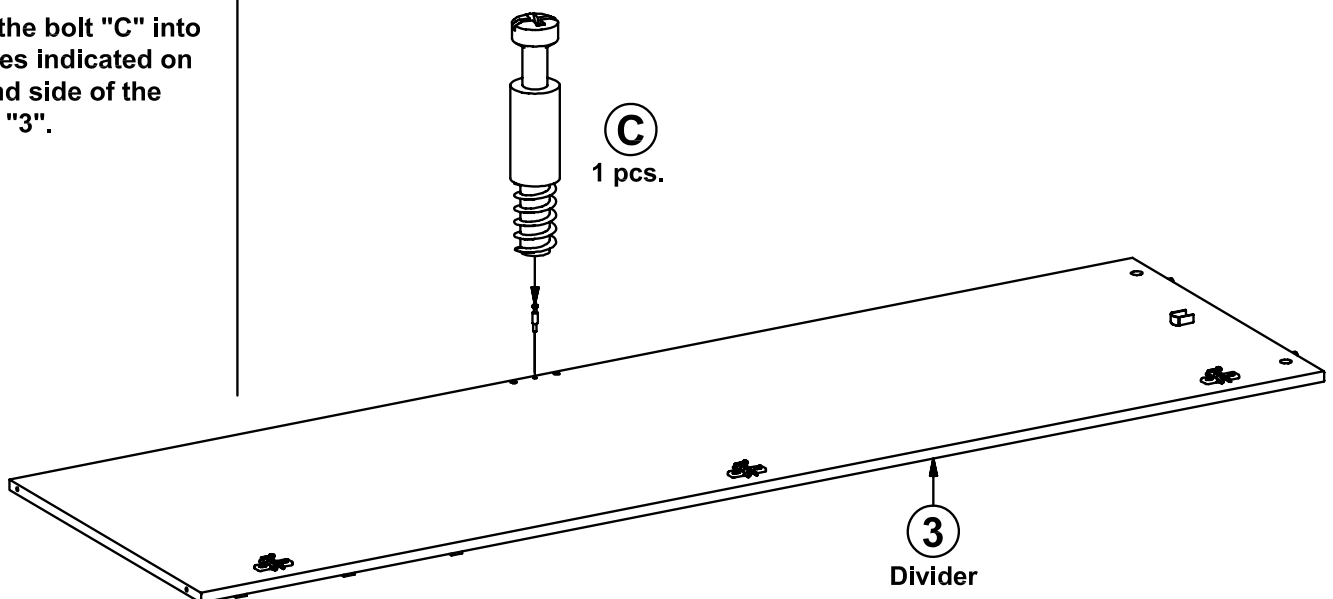


Fig. 3.2

Fig. 3.1

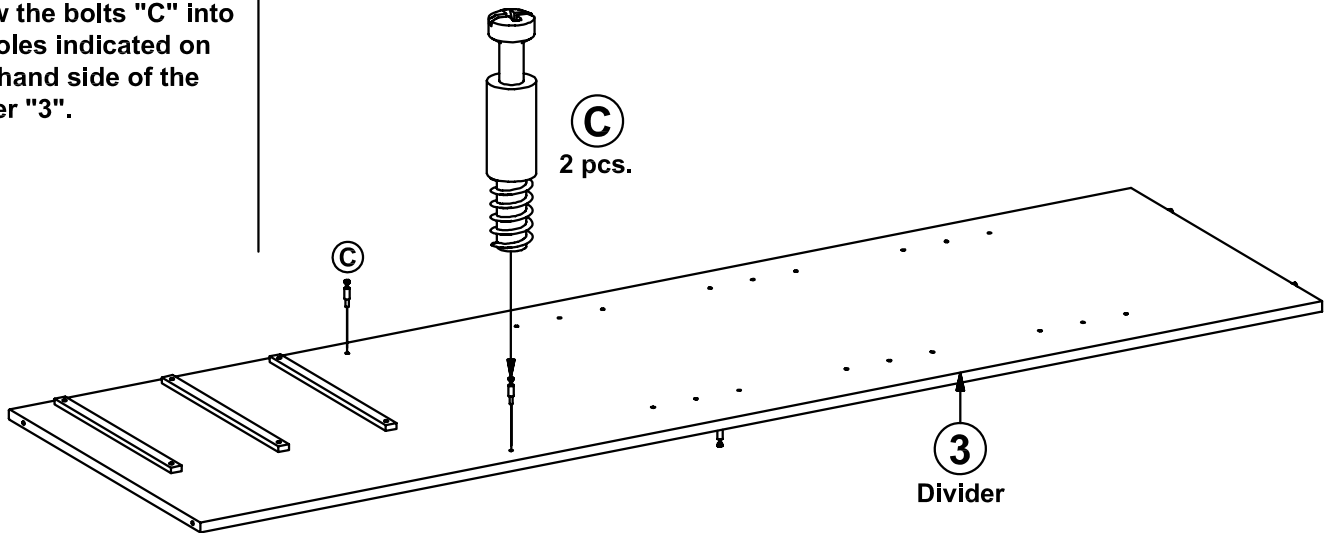
### 4. Mounting the bolts to the left hand side of the divider.

Screw the bolt "C" into the holes indicated on left hand side of the divider "3".



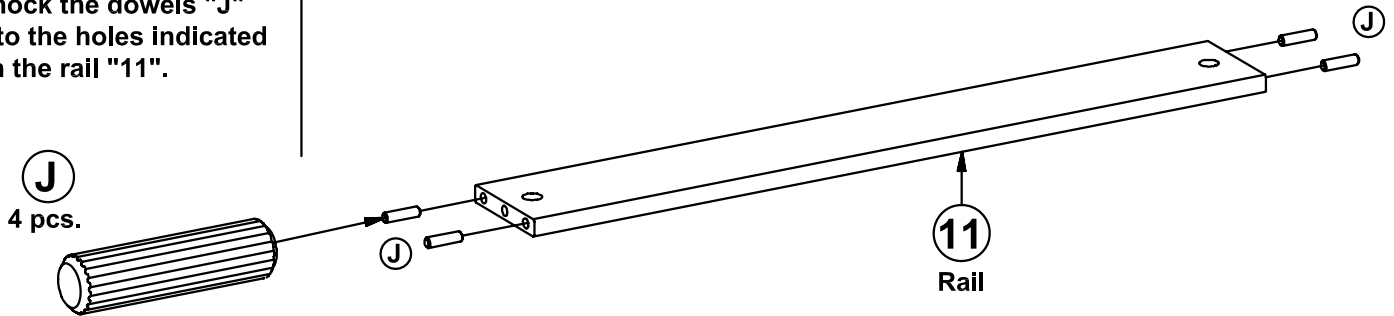
## 5. Mounting the bolts to the right hand side of the divider.

Screw the bolts "C" into the holes indicated on right hand side of the divider "3".



## 6. Adding the dowels to the rail.

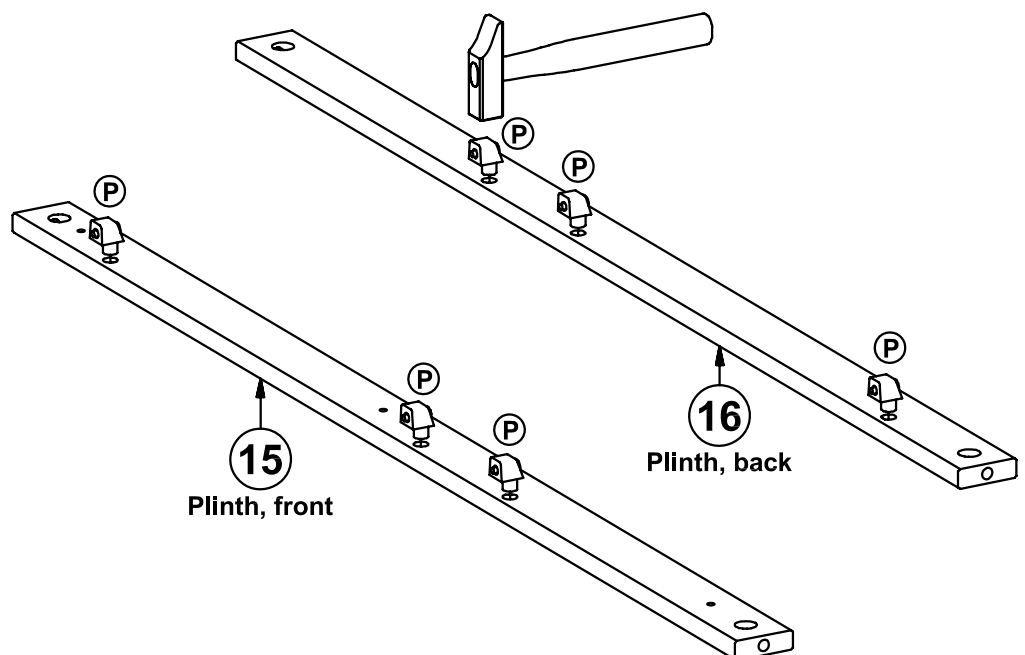
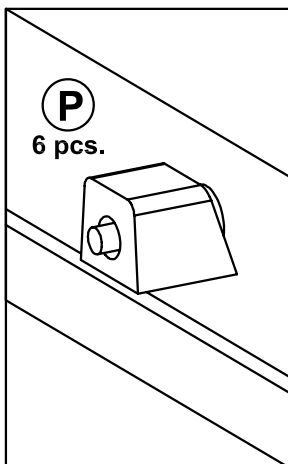
Knock the dowels "J" into the holes indicated on the rail "11".



## 7. Adding the miniblocks to the plinths.

Knock the miniblocks "P" into the holes indicated on the plinths "15" and "16".

Fig. 7.1





## 8. Mounting the plinths to the bottom.

Fix the plinth "15" and "16" to the bottom, large "12" using the screws in the miniblocks "P".

The front plinth "15" MUST be placed near the chamfer edge of the bottom.  
See fig. 8.1

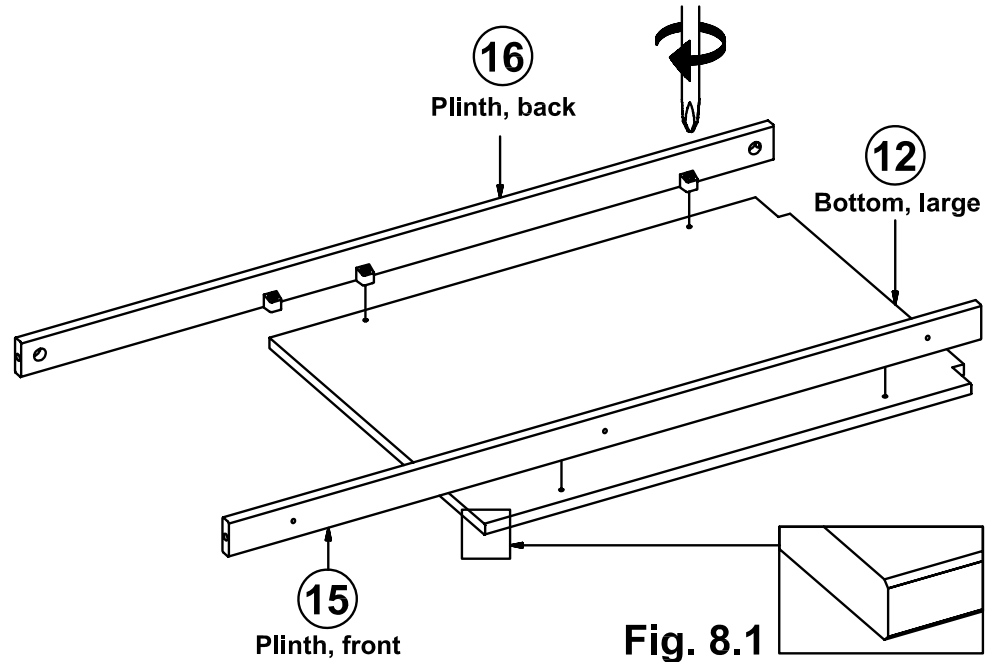


Fig. 8.1

## 9. Adding the plinths and the rail to the left hand side.

Press the rail "11" and the plinths "15" and "16" onto the left hand side "1".

See page 4 "Assembly of the cam & bolt".

Place the cam "A" into the holes indicated, arrows pointing towards the side / bolt.

**Tighten:**  
Turn the cams to the right.

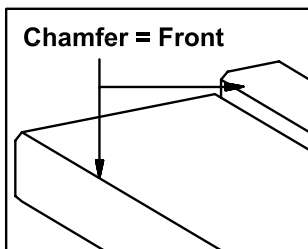
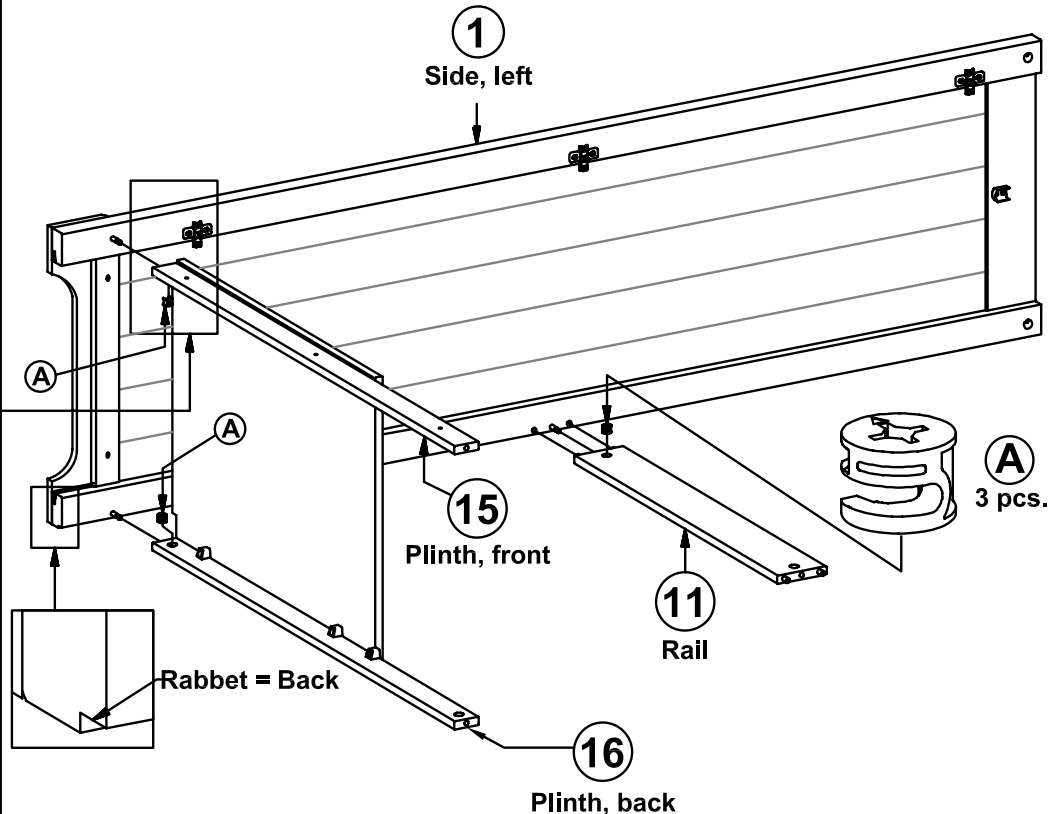


Fig. 9.1



## 10. Adding the divider to the plinths and the rail.

Press the divider "3" onto the bottom, large "12" and the rail "11".

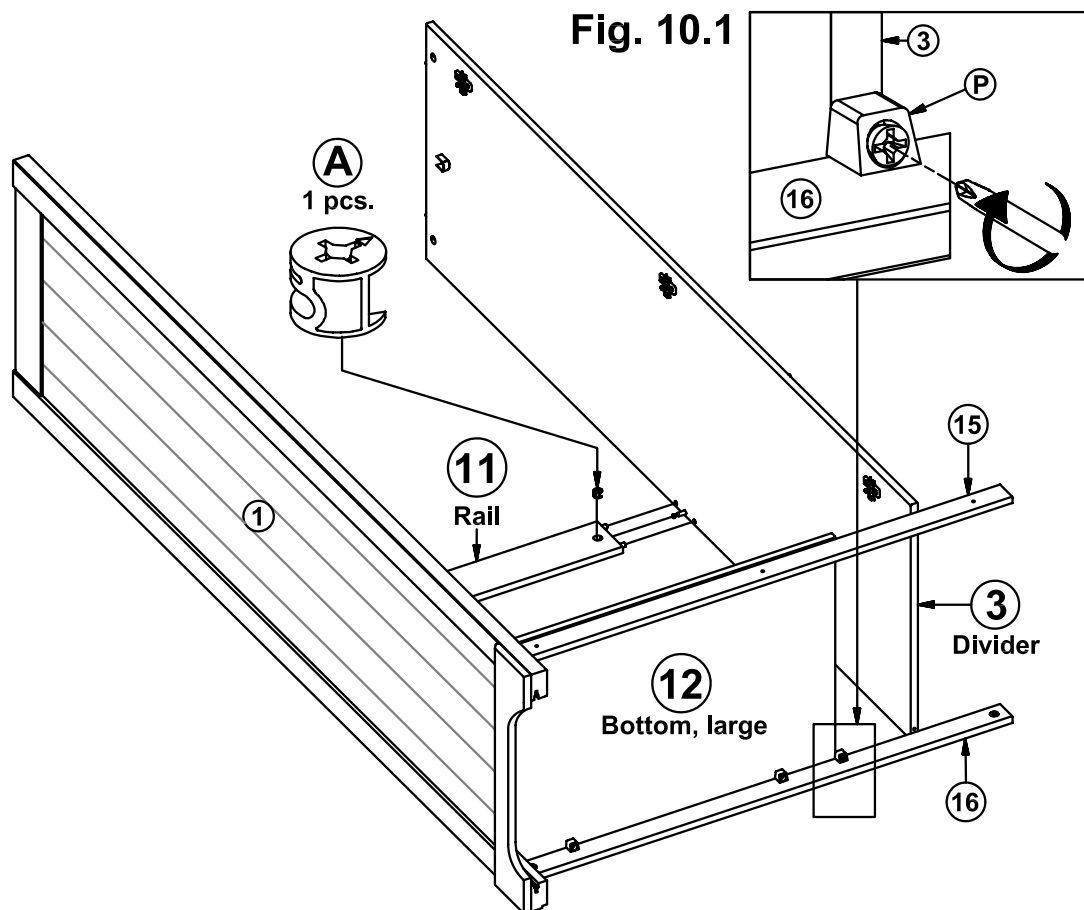
See page 4 "Assembly of the cam & bolt".

Place the cam "A" into the holes indicated, arrows pointing towards the divider / bolt.

**Tighten:**  
Turn the cams to the right.

Finally fix the divider "3" onto the plinths "15" and "16" using the miniblocks "P".

See fig. 10.1



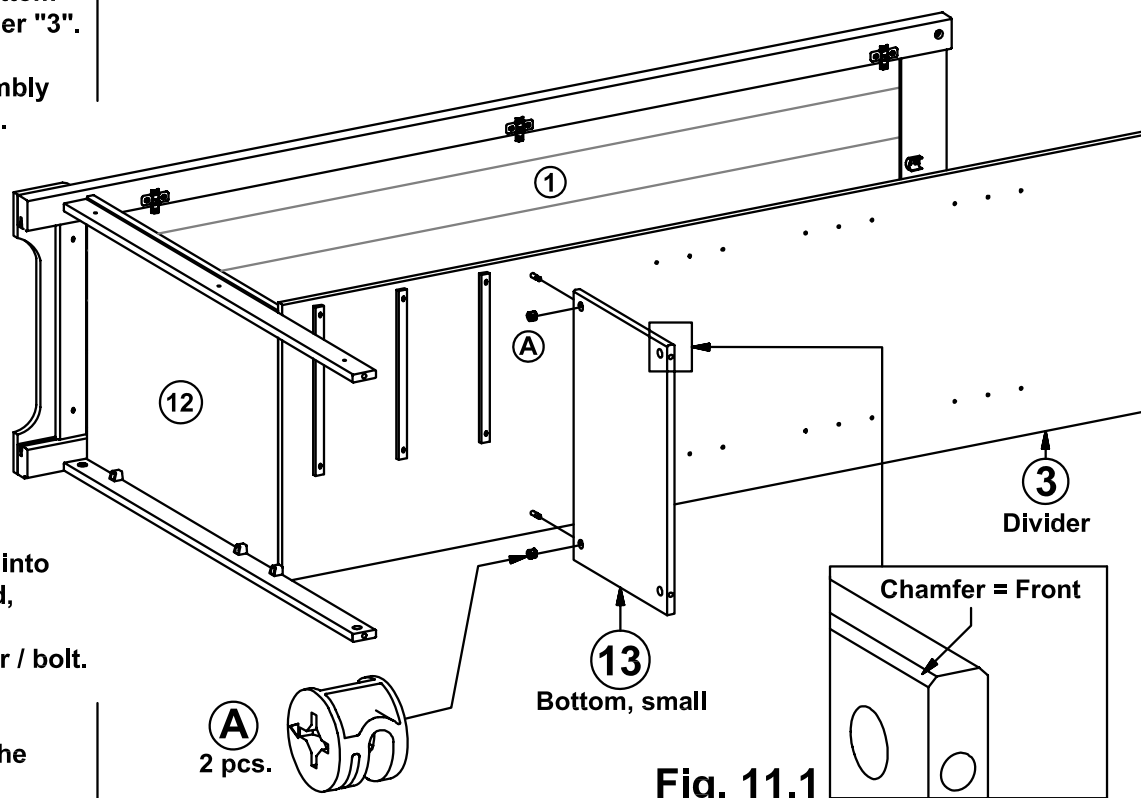
## 11. Adding the small bottom to the divider.

Press the small bottom "13" onto the divider "3".

See page 4 "Assembly of the cam & bolt".

Place the cam "A" into the holes indicated, arrows pointing towards the divider / bolt.

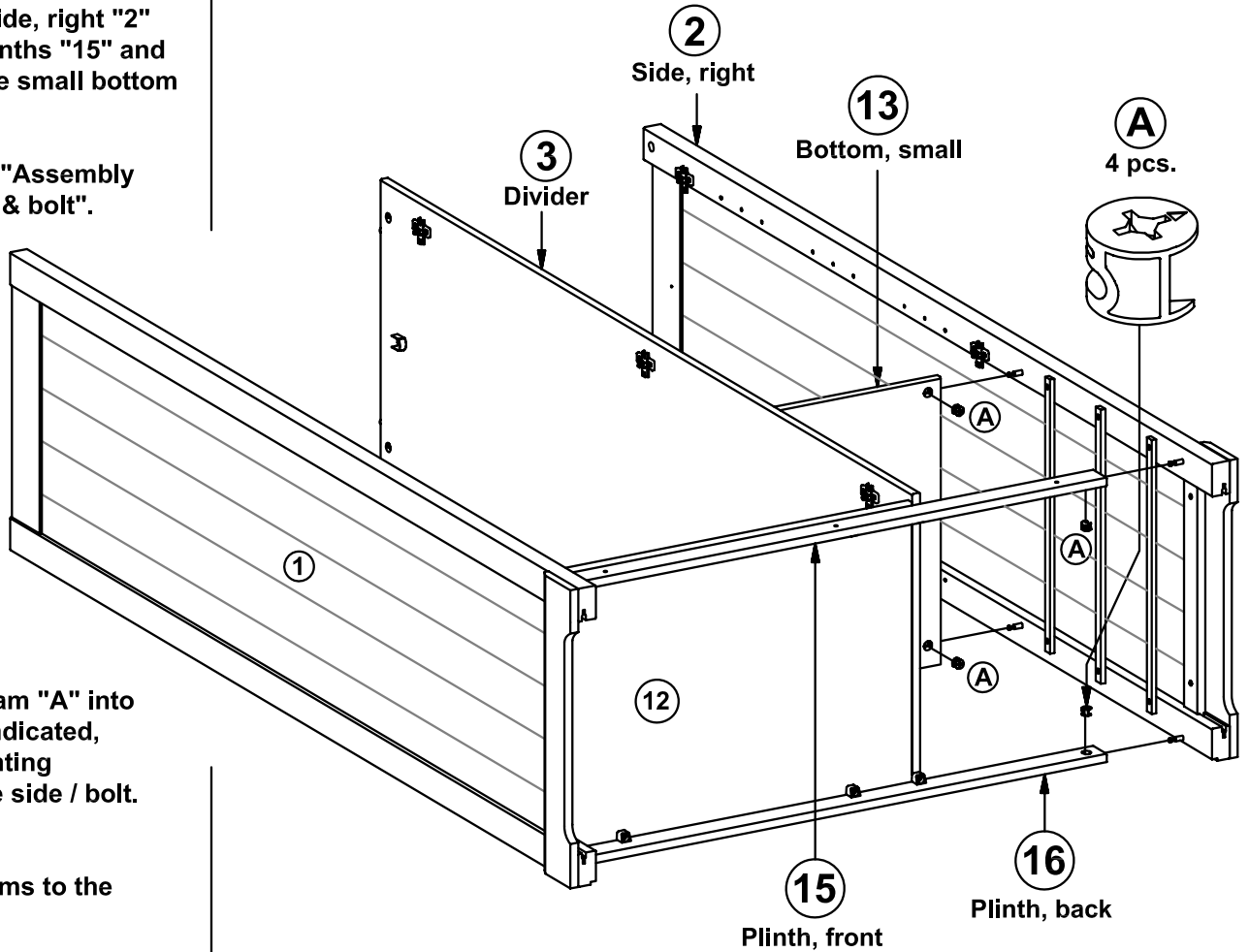
**Tighten:**  
Turn the cams to the right.



## 12. Adding the side, right to the carcass.

Press the side, right "2" onto the plinths "15" and "16" and the small bottom "13".

See page 4 "Assembly of the cam & bolt".



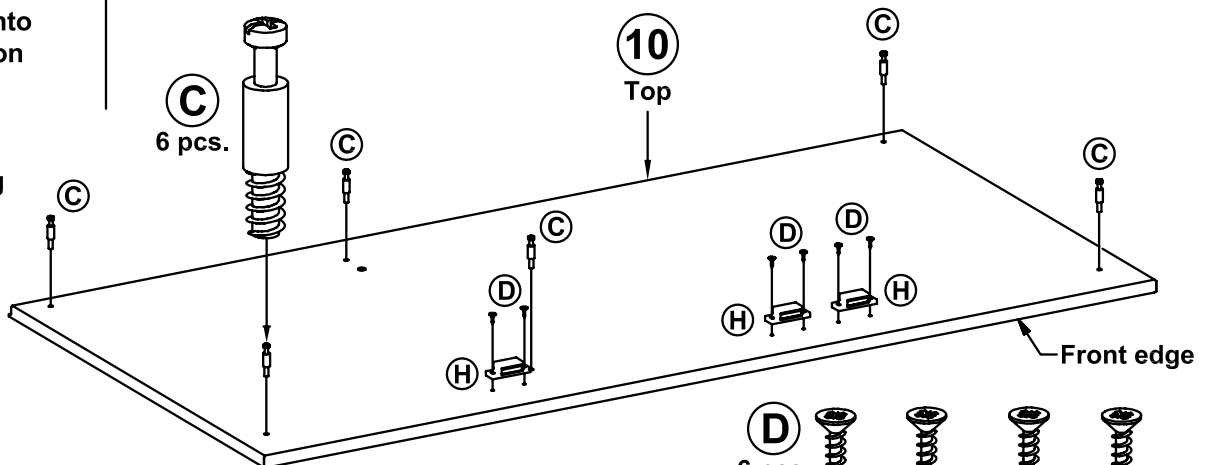
Place the cam "A" into the holes indicated, arrows pointing towards the side / bolt.

**Tighten:**  
Turn the cams to the right.

## 13. Mounting the bolts and the magnets to the top.

Screw the bolt "C" into the holes indicated on the top "10".

Fix the magnets "H" to the top "10" using screws "D" into the pre-drilled holes.



It is important that the magnetic part points towards the front edge of the top.

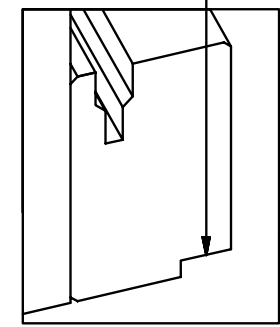
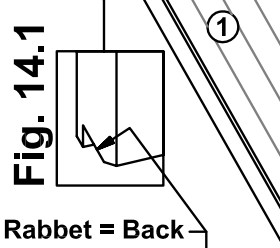
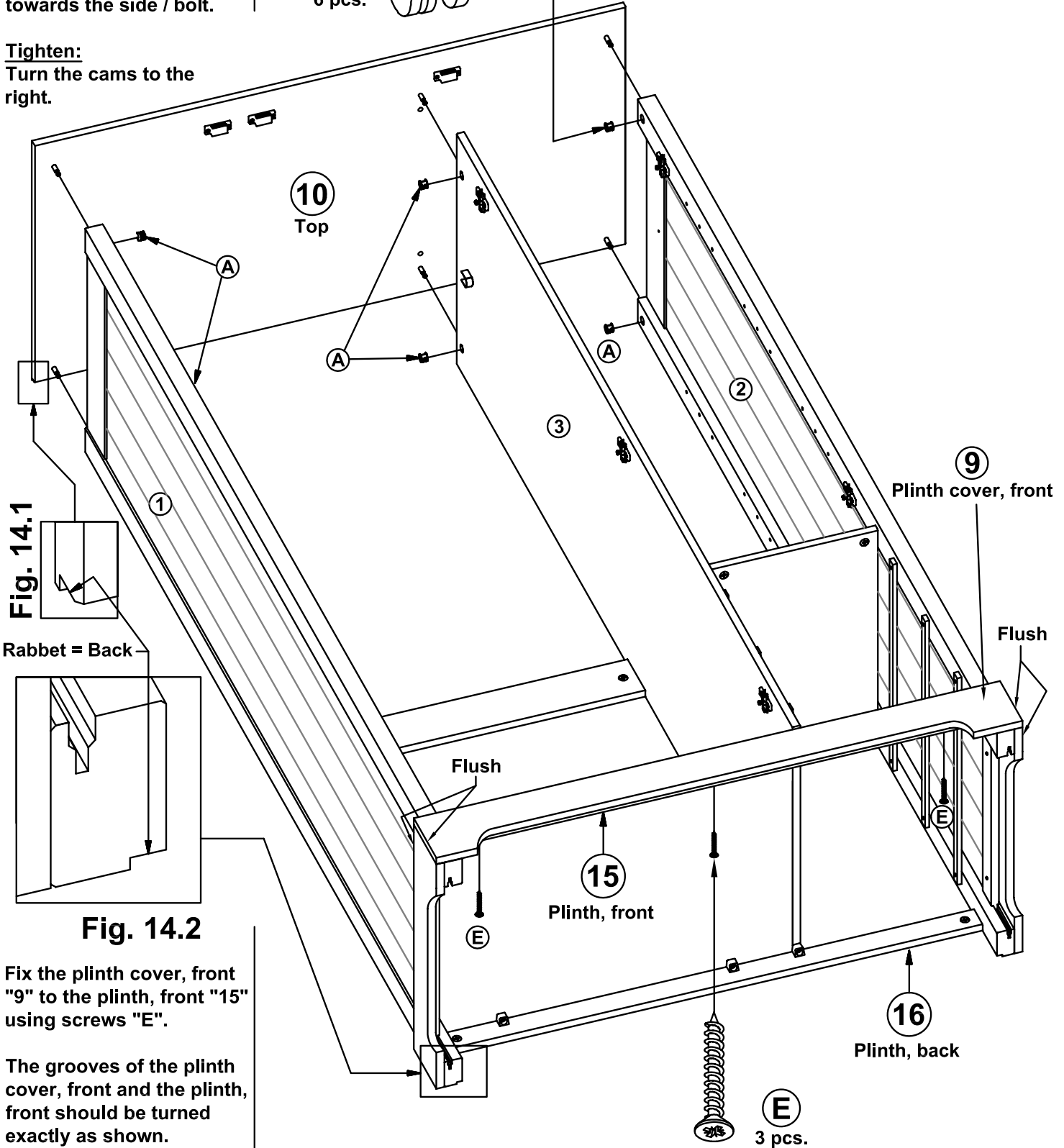
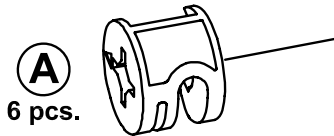
See fig. 13.1

Fig. 13.1

# 14. Assembling the top to the sides & the plinth cover, front to the plinth, front.

Lower the top "10" onto the sides "1" and "2" and the divider "3".  
See page 4 "Assembly of the cam & bolt".  
Place the cam "A" into the holes indicated, arrows pointing towards the side / bolt.

**Tighten:**  
Turn the cams to the right.



**Fig. 14.2**

Fix the plinth cover, front "9" to the plinth, front "15" using screws "E".

The grooves of the plinth cover, front and the plinth, front should be turned exactly as shown.

# 15. Adding the back to the carcass - 1.

Place the back "22" into the rabbet of the top "10" and the sides "2".

Ensure that there is **NO GAP** between the sides and the back, **AND** between the top, bottom and the back.

Fasten the back with nails "G" along the top. Use the nail guide "R". See fig. 15.4

The angle between the top, bottom and the sides must be 90 degrees. Fig. 15.2

To accomplish this, ensure there is **NO GAP** between the sides and the back.

Fasten the back along the side and the bottom. Use the nail guide as shown in fig. 15.5

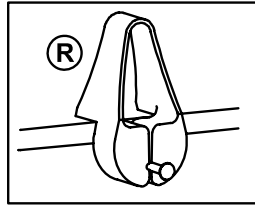
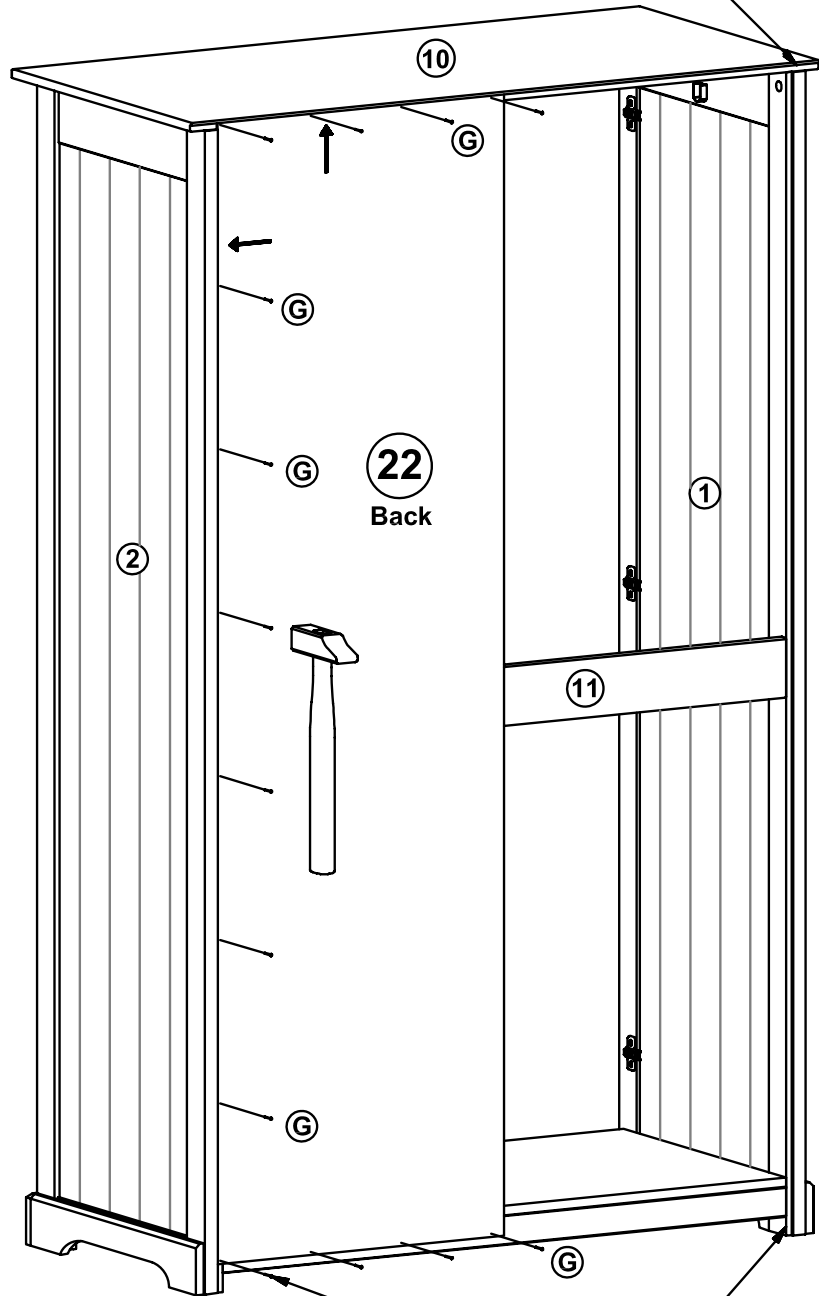
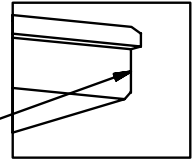


Fig. 15.4

Fig. 15.1

Rabbet = Back



Rabbet = Back

G  
14 pcs.

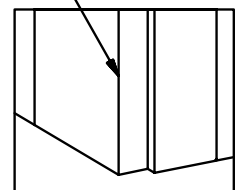


Fig. 15.2

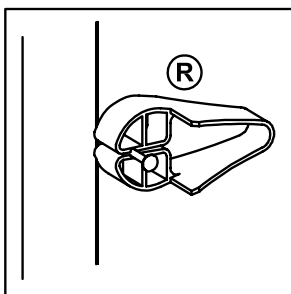
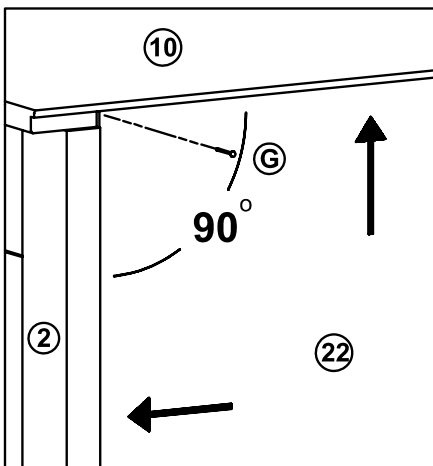


Fig. 15.5

Fig. 15.3

# 16. Adding the back and the joining strip to the carcass.

Place the joining strip "S" onto the back.  
See fig. 16.1

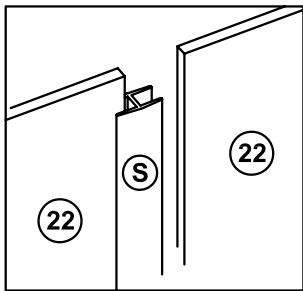


Fig .16.1

Place the back "22" into the rabbet of the top "10", and the sides "1".

Ensure that there is NO GAP between the sides and the back, AND between the top, bottom and the back.

Fasten the back with nails "G" along the top. Use the nail guide "R" - see page 13, fig. 15.4

Ensure that there is NO GAP between the sides and the back.

Fasten the back with nail "G" along the side and the bottom. Use the nail guide "R" - see page 13, fig. 15.5

Fix the back onto the support rail "11" using screws "D".

See fig. 16.3

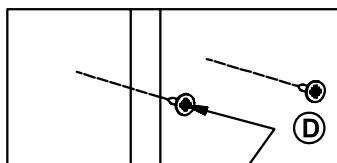
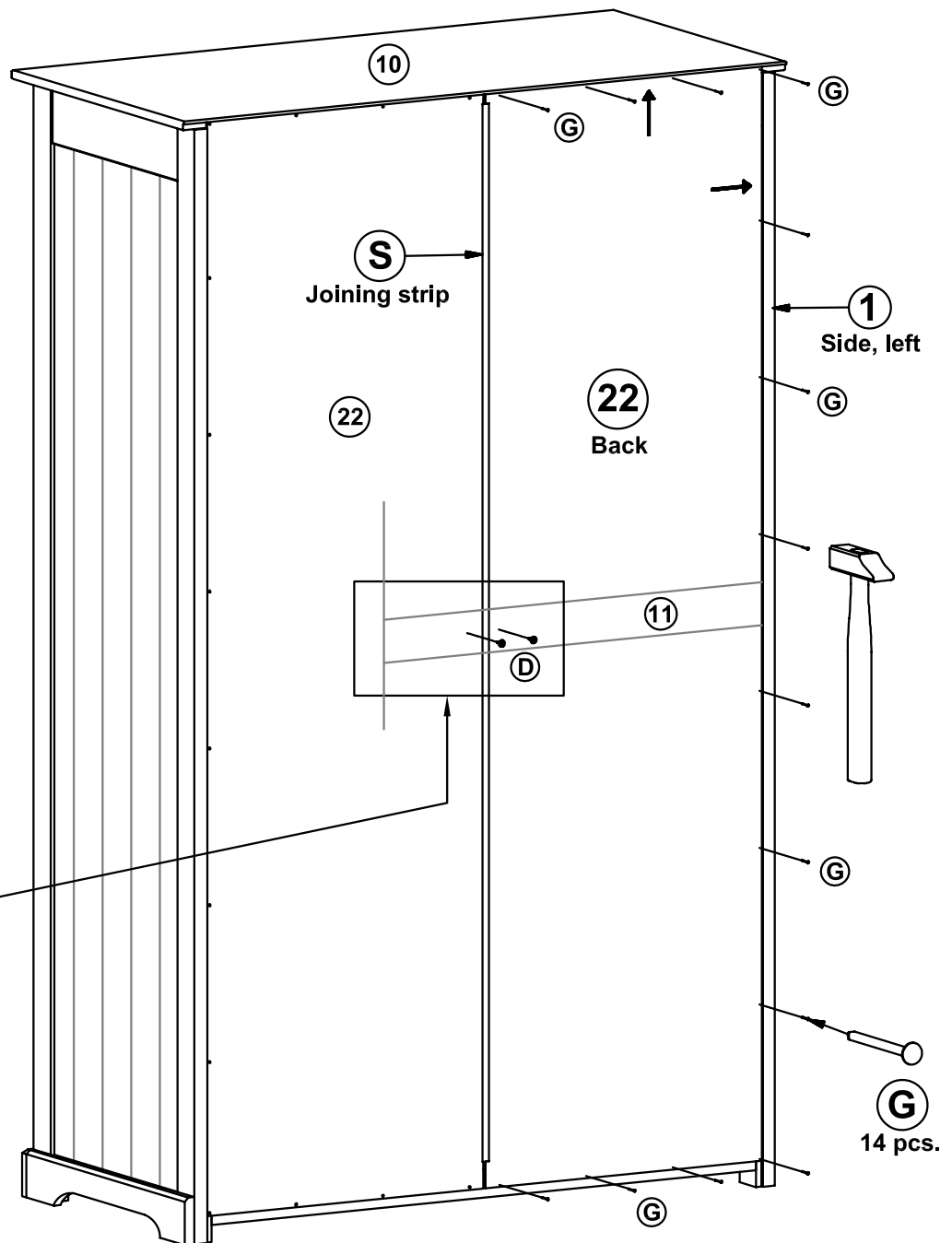
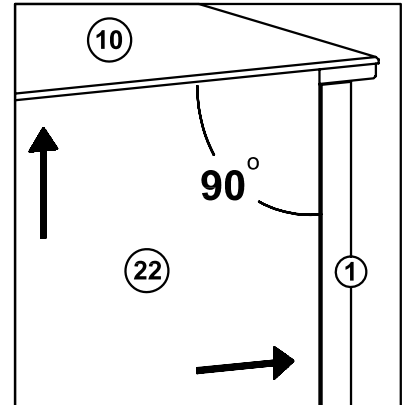


Fig. 16.3



Fig .16.2

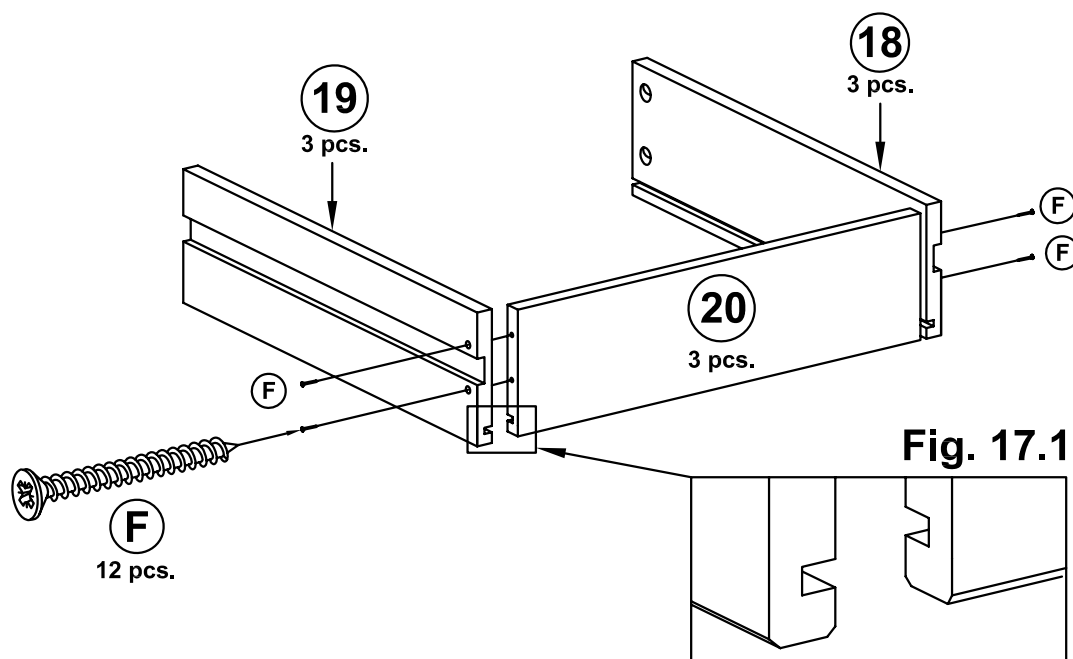


## 17. Adding the drawer sides to the drawer back.

Fix the drawer sides "18" and "19" to the drawer back "20" using screws "F".

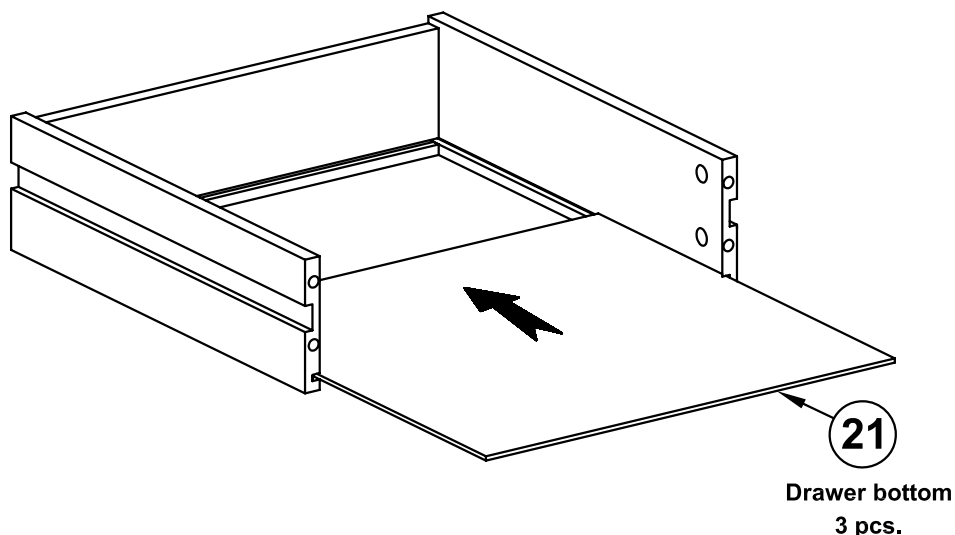
The grooves of the drawer sides and back should be turned exactly as shown.

See fig. 17.1



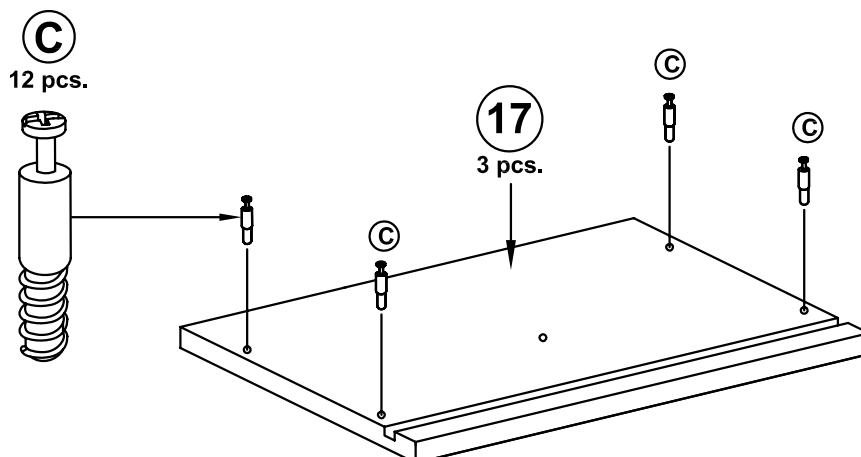
## 18. Sliding the drawer bottom into the drawer frame.

Slide the drawer bottom "21" into the grooves of the drawer frame.



## 19. Mounting the bolts to the drawer front.

Screw the bolts "C" into the holes indicated on the drawer front "17".



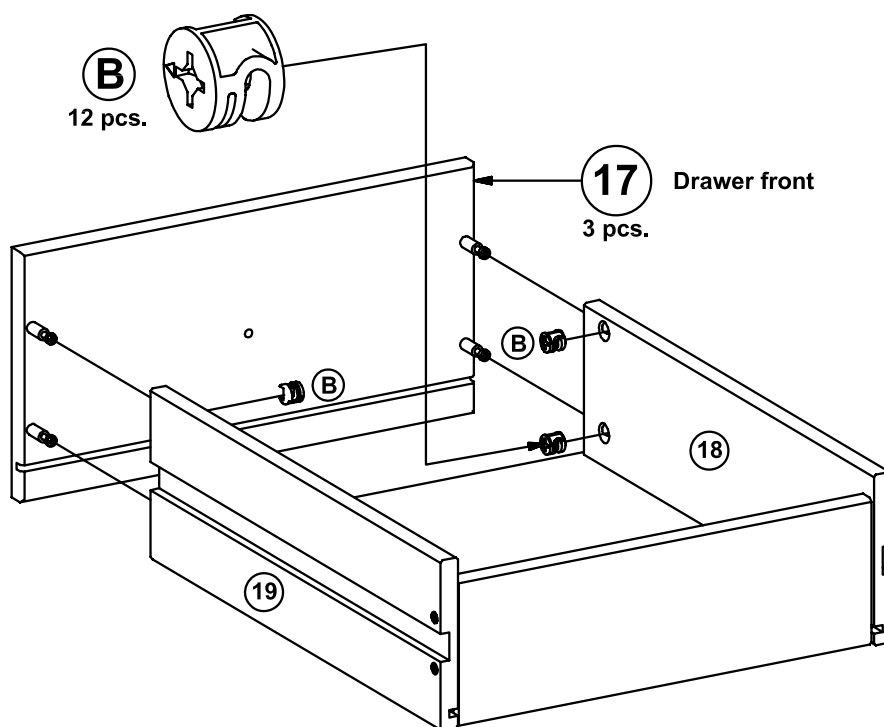
## 20. Adding the drawer front to the drawer frame.

Press the drawer front "17" onto the drawer slides "18" and "19".

Place the cam "B" into the holes indicated, arrows pointing towards the bolts.

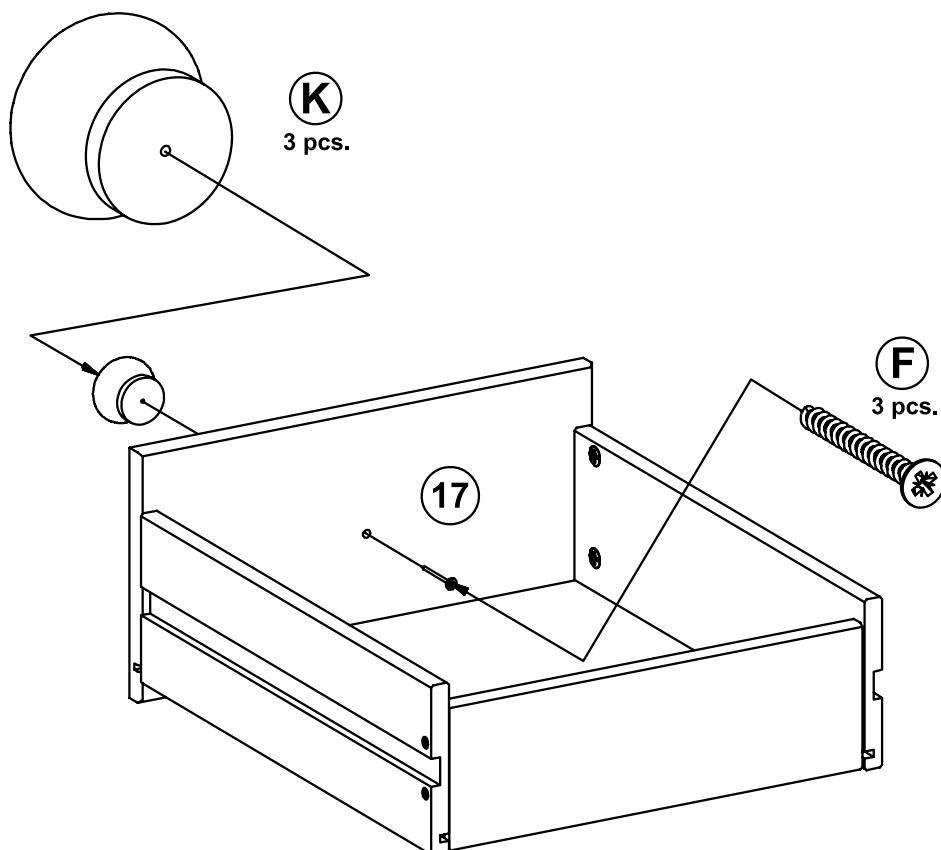
**Tighten:**  
Turn the cam to the right.

"Assembly of cam & bolt" see page 4.



## 21. Mounting the knobs to the drawer front.

Fix the knobs "K" to the drawer front "17" using screws "F".





## 22. Adding the shelves, the hanging rail and the drawers.

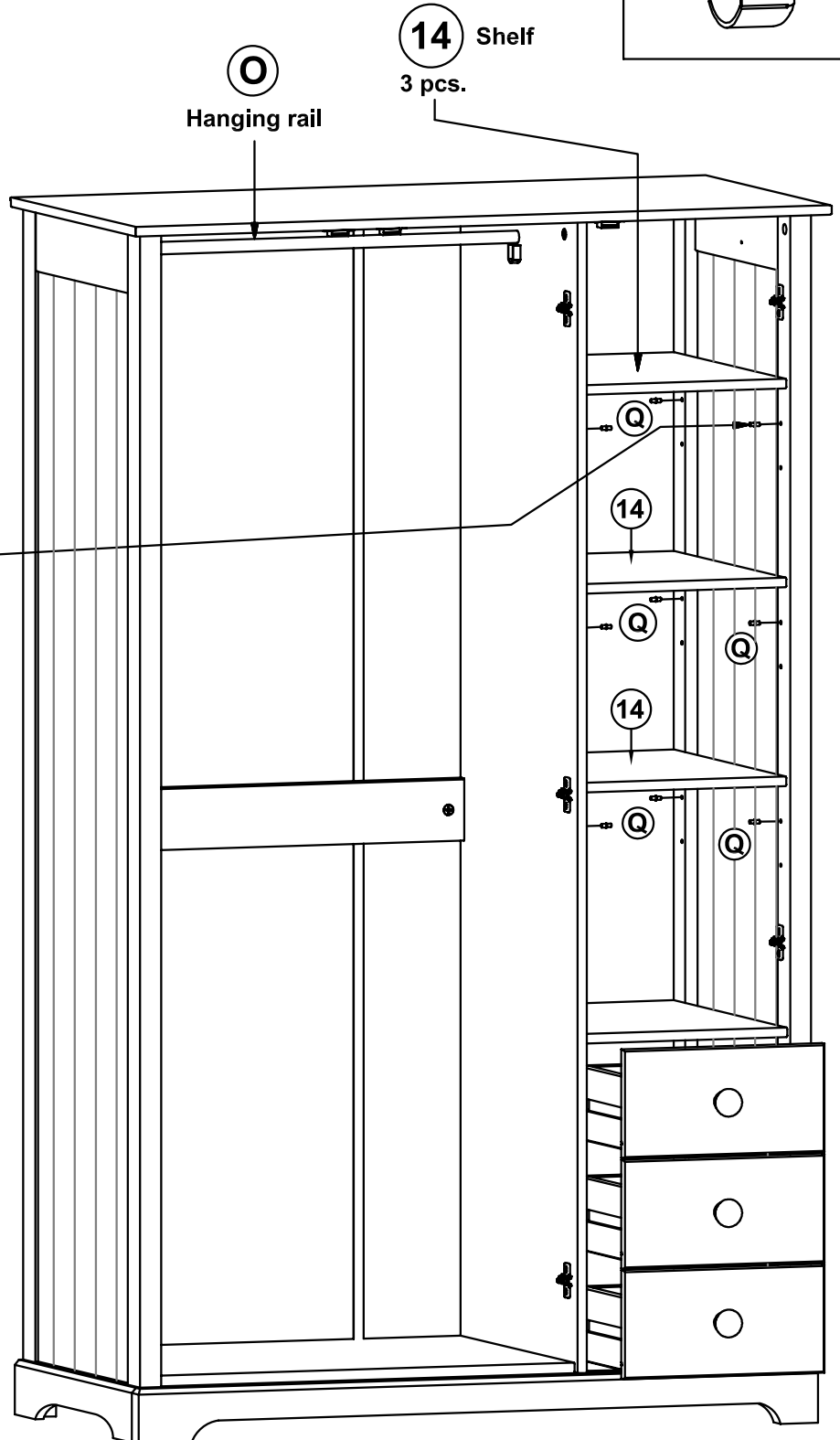
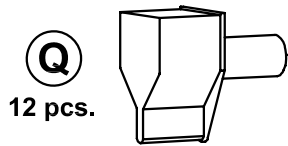
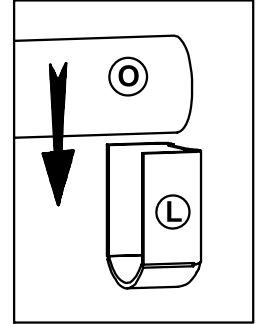
Lower the hanging rail "O" into the hanging rail cup "L".

Place the shelf supports "Q" into the holes indicated.

Lower the shelves "14" onto the shelf supports.

Slide the drawers onto the drawer runners.

Fig. 22.1



## 23. Mounting the cup hinges to the doors.

Lower the cup hinges "M" into the holes indicated on the doors "4", "5" and "6".

Fix the hinge using screws "D".

Fig. 23.1

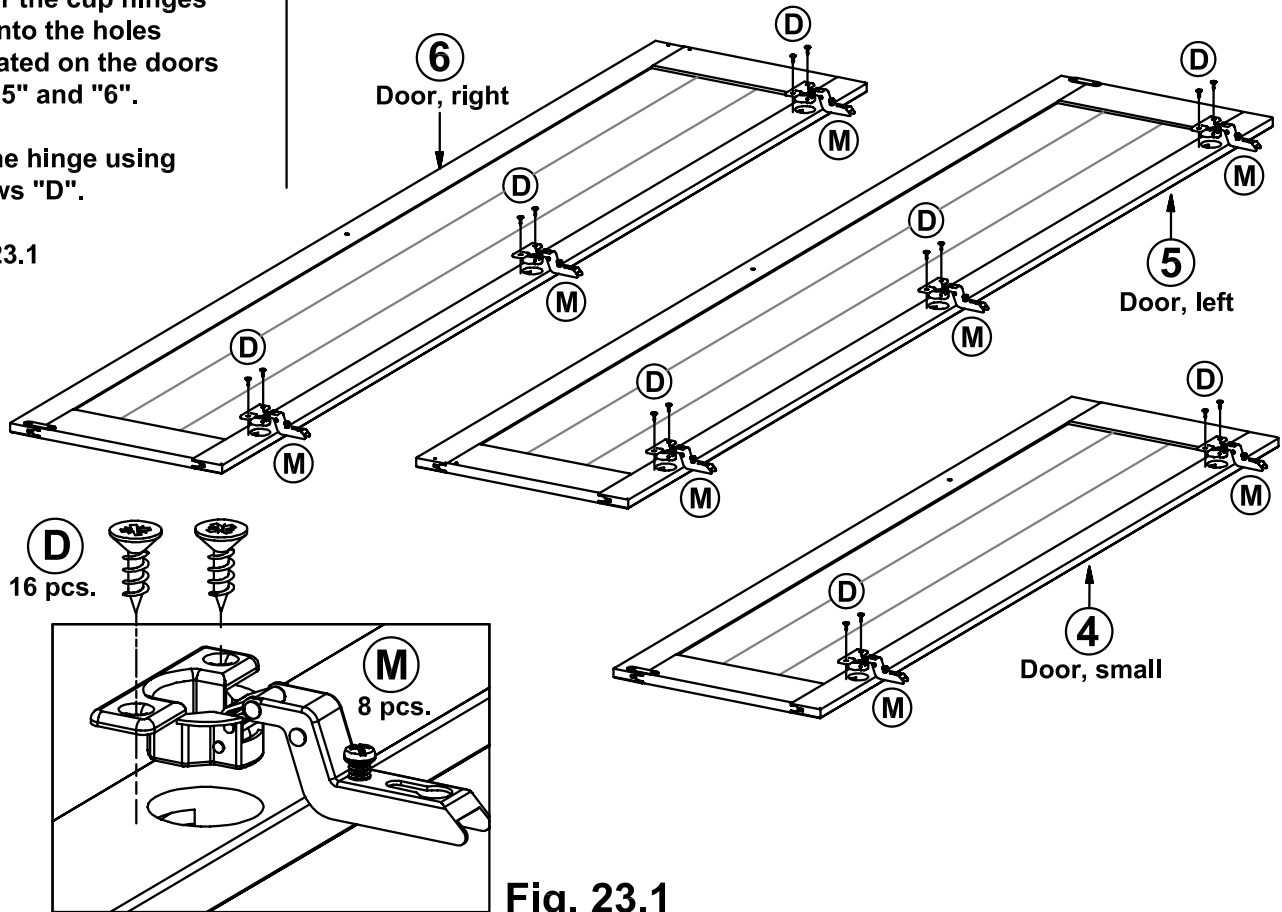
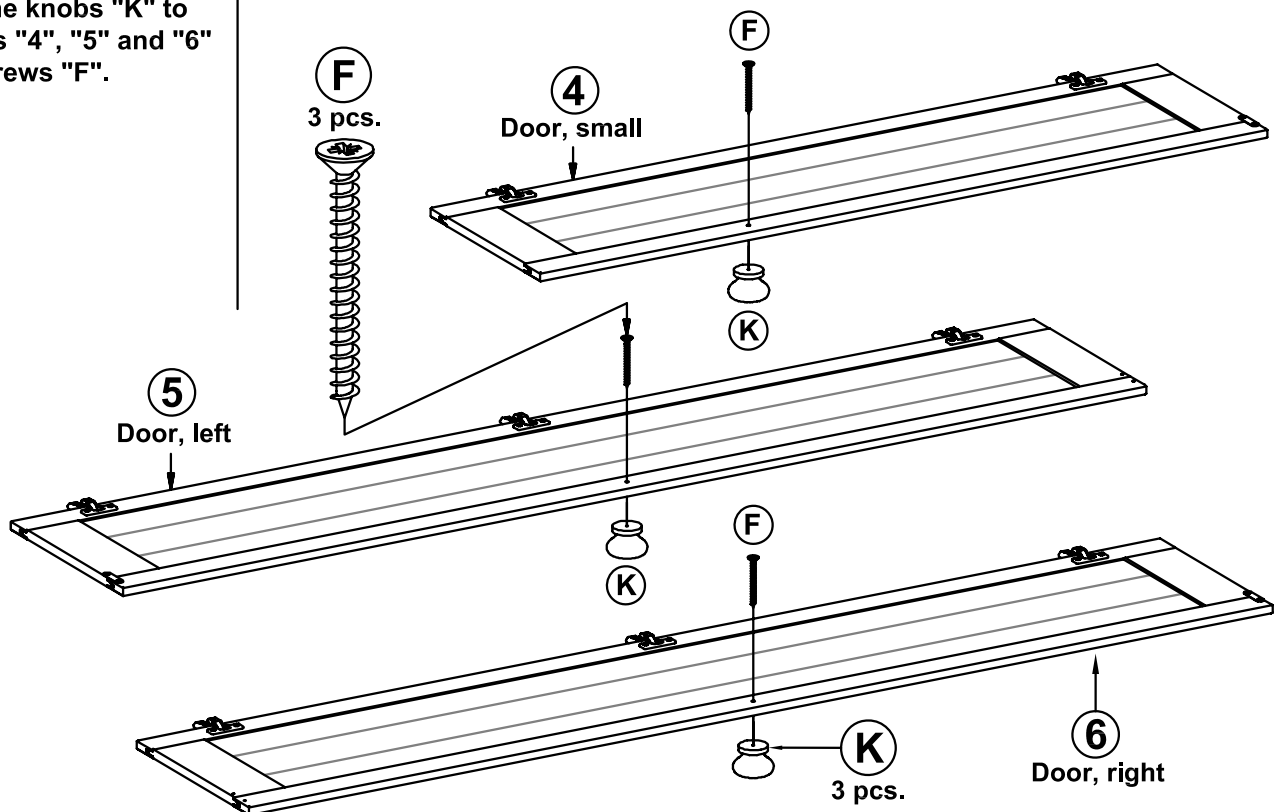


Fig. 23.1

## 24. Mounting the knobs to the doors.

Fasten the knobs "K" to the doors "4", "5" and "6" using screws "F".



## 25. Mounting the doors to the carcass.

When placing the doors, the magnet catches **MUST** point upwards.

**Step 1**  
Place the adjustment hole of the cup hinge at the level of the fixing screw. Push the cup hinge towards the cross plate- placing the fixing screw in the wider part of the adjustment hole.

It is very **IMPORTANT** to catch all three of the fixing screws.

**Step 2**  
Push the door / cup hinge inwards - placing the fixing screw in the narrow end of the adjustment hole.

**Step 3**  
Tighten the fixing screws of all three of the cross plates.

Fig. 25.1

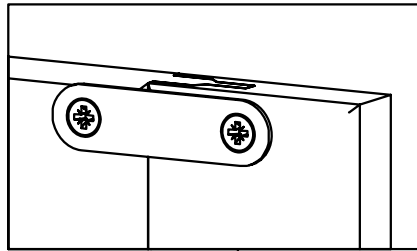
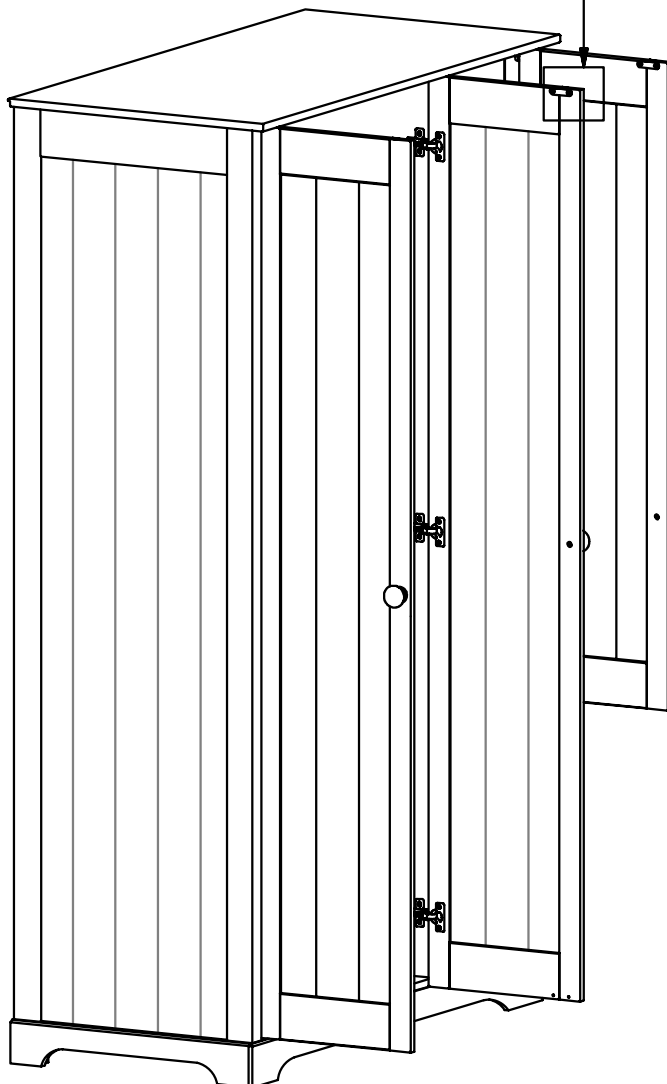
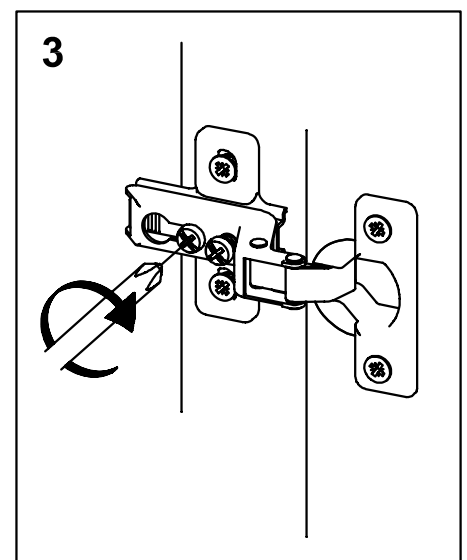
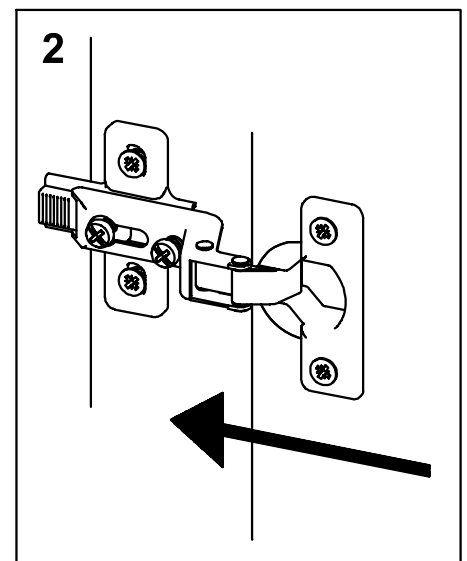
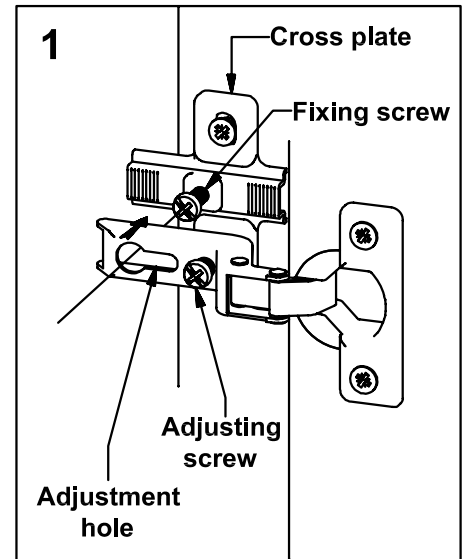
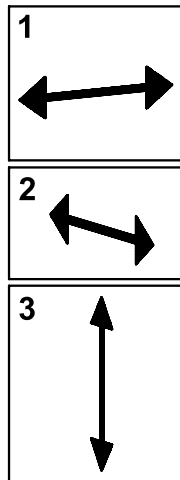
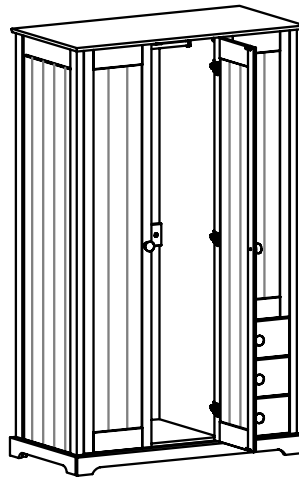


Fig. 25.2



# 26. Adjusting the doors.

**MAKE SURE THE WARDROBE IS PLACED ON A PLANE SURFACE BEFORE YOU BEGIN TO ADJUST THE HINGES.**



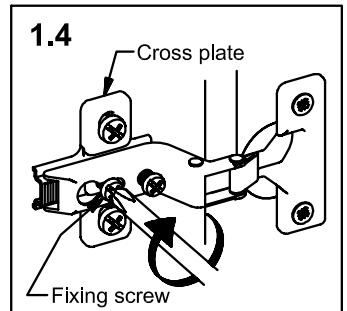
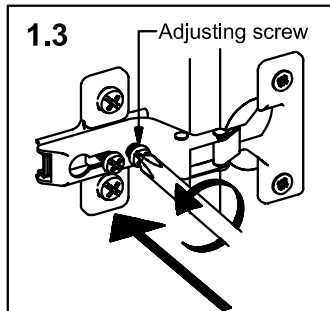
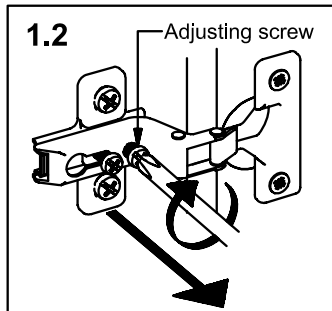
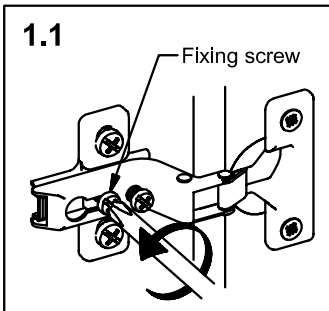
## Step 1 - right or left:

Loosen the fixing screw.

To adjust the door towards the left hand side - turn the adjusting screw to the right.

To adjust the door towards the right hand side - turn the adjusting screw to the left.

Continue adjustment - see step 2 - or tighten the fixing screw of the cross plates

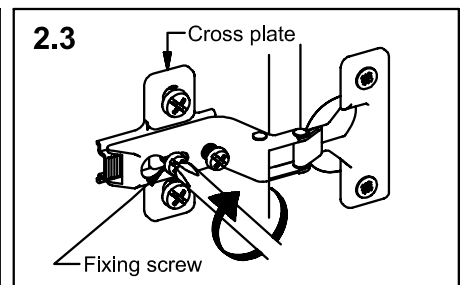
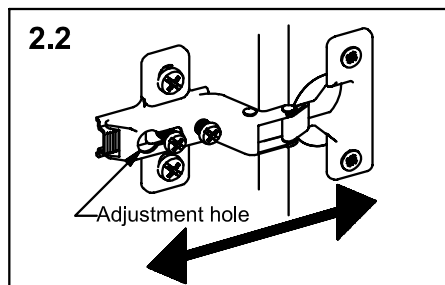
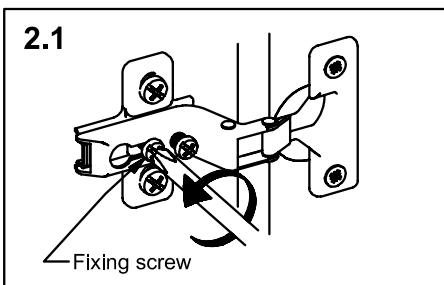


## Step 2 - forwards or backwards:

Loosen the fixing screw.

Push the cup hinges / the door back OR forth to adjust. The door should level with the front edge of the sides.

Tighten the fixing screws of ALL the cross plates.

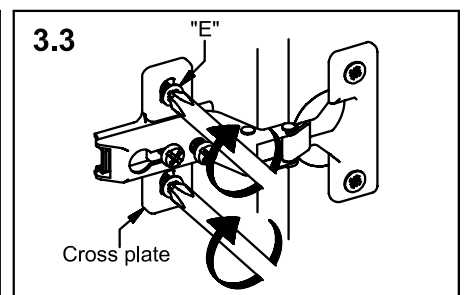
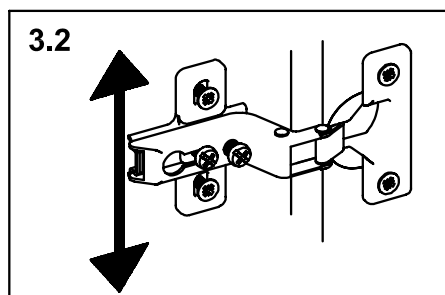
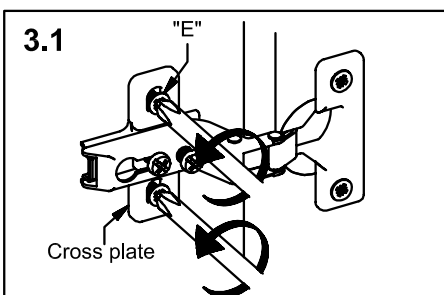


## Step 3 - up or down:

Loosen the two screw "E" of each cross plate, BUT ONLY as much as it will allow the cross plate to move up and down.

Adjust the cross plate / door.

Tighten the screws "E" of ALL the cross plates.



## 27. Fixing the wall strap to the wardrobe ( anti-topple ).

**!** Please purchase this screw from your local specialised dealer.

