



Safety and Care Advice

Important - Please read these instructions fully before starting assembly

- Check you have all the components and tools listed on pages 2 and 3.
- Remove all fittings from the plastic bags and separate them into their groups.
- Keep children and animals away from the work area, small parts could choke if swallowed.
- Make sure you have enough space to layout the parts before starting.

- Do not stand or put weight on the product, this could cause damage.
- Assemble the item as close to its final position (in the same room) as possible.
- Assemble on a soft level surface to avoid damaging the unit or your floor.
- Parts of the assembly will be easier with 2 people.



- We do not recommend the use of power drill/drivers **for inserting screws**, as this could damage the unit. Only use hand screwdrivers.
- Dispose of all packaging carefully and responsibly.

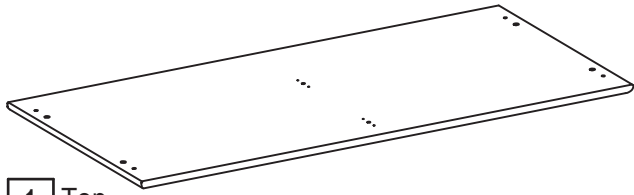
Care and maintenance

- Only clean using a damp cloth and mild detergent, do not use bleach or abrasive cleaners.
- From time to time check that there are no loose screws on this unit.
- This product should not be discarded with household waste. Take to your local authority waste disposal centre.

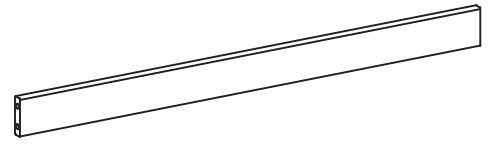
Note: if required the next page can be cut out and used as reference throughout the assembly. Keep this page with these instructions for future reference.

Components - Panels

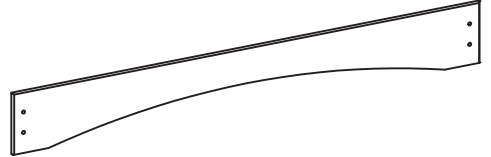
Please check you have all the panels listed below



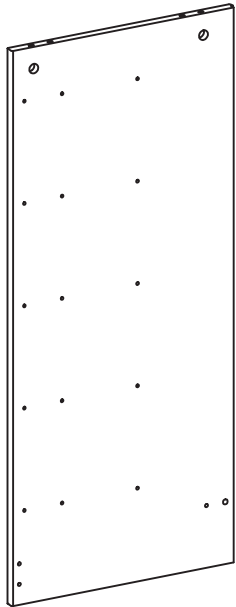
1 Top
(83,5 cm x 39,7 cm)



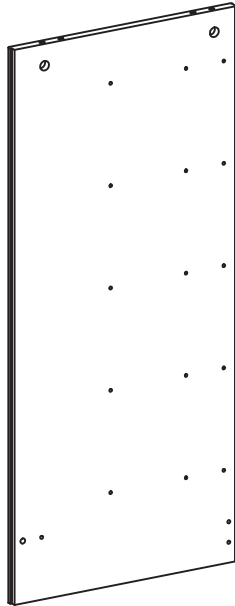
4 Plinth, back
(78,1 cm x 6 cm)



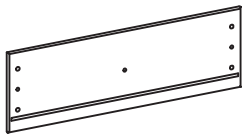
5 Plinth, front
(79,3 cm x 9,6 cm)



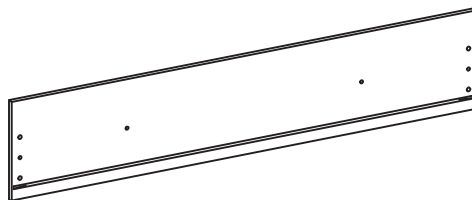
2 Side, left
(86,8 cm x 37,9 cm)



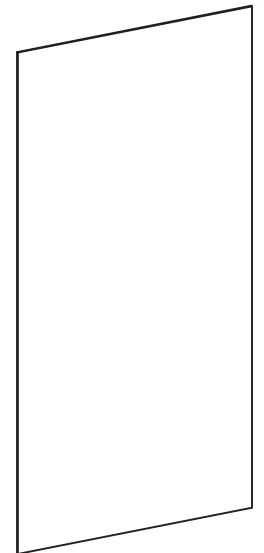
3 Side, right
(86,8 cm x 37,9 cm)



8 Drawer front, small x 2
(39,5 cm x 12,5 cm)



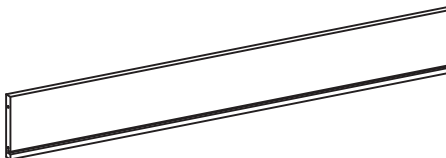
9 Drawer front x 4
(79,3 cm x 15,7 cm)



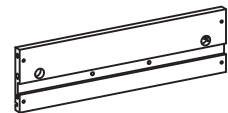
7 Back x 2
(78,4 cm x 39,7 cm)



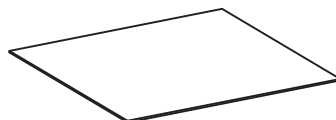
10 Drawer back, small x 2
(35,1 cm x 9,8 cm)



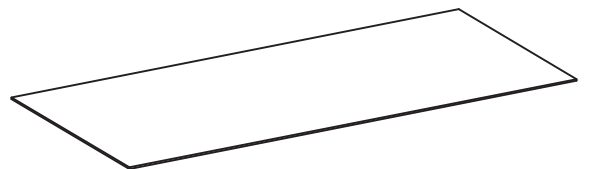
11 Drawer back x 4
(74,9 cm x 9,8 cm)



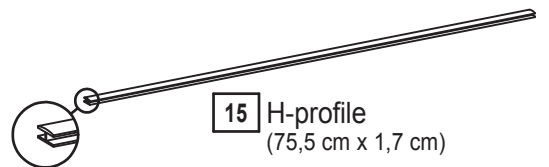
12 Drawer side, right/left x 12
(35 cm x 9,8 cm)



13 Drawer bottom, small x 2
(36,1 cm x 34,7 cm)



14 Drawer bottom x 4
(75,9 cm x 34,7 cm)

















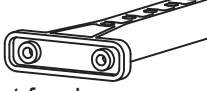
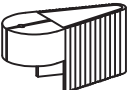


15 H-profile
(75,5 cm x 1,7 cm)

Components - Fittings

Please check you have all the panels listed below

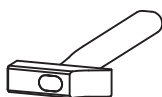
Note: The quantities below are the correct amount to complete the assembly. In some cases more fittings may be supplied than are required.

Aa  ø7.8 x 40mm Wooden dowel x 6	Ab  ø6 x 30mm Wooden dowel x 24	Bf  ø4 x 16mm Screw x 4
Bp  ø3 x 35mm Screw x 24	Ca  ø15 x 10.5mm Cam x 18	Cb  ø5 x 11, cc34mm Bolt x 18
Da  1.2 x 20mm Nail x 50	Fh  Wall strap and instruction x 1	Fi  Back fitting w. ø3.5 x 15mm Screw x 12
Gc  ø40 x 35mm Wooden Knob x 10		Hk  M4 x 9mm Screw x 12
Jc  ø4 x 35mm Screw x 10	Kb  ø5.8 x 8mm Screw x 34	Ke  ø6.1 x 11.5mm Screw x 8
Sk  245 x 17 x 10mm Drawer runner x 12	Va  Angle 20 x 20 x 16mm x 4	Wb  Support for drawer runner x 2
Yd  Nail holder x 1		

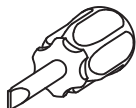
Tools required



Phillips screwdriver
(Medium & large)

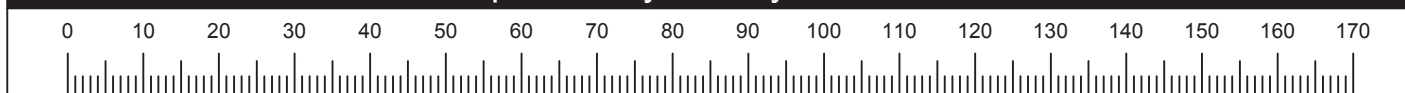


Hammer



Flatblade screwdriver
(Medium)

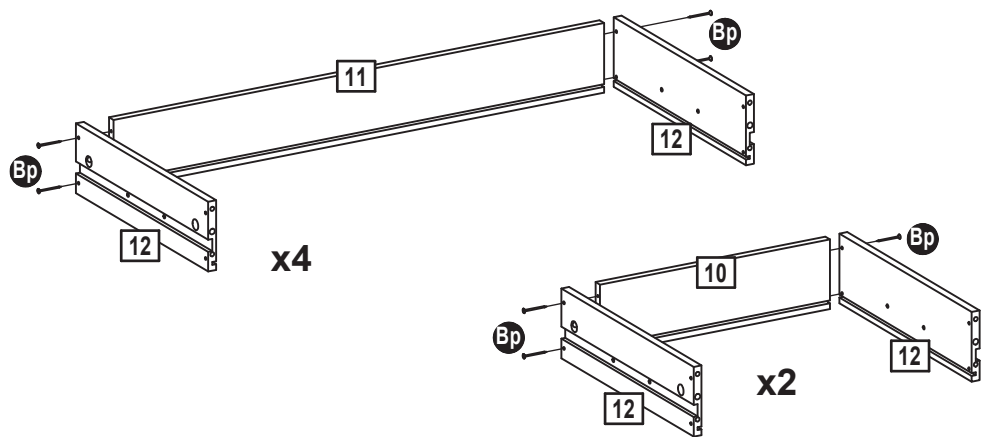
Ruler - Use this ruler to help correctly identify the screws



Assembly Instructions

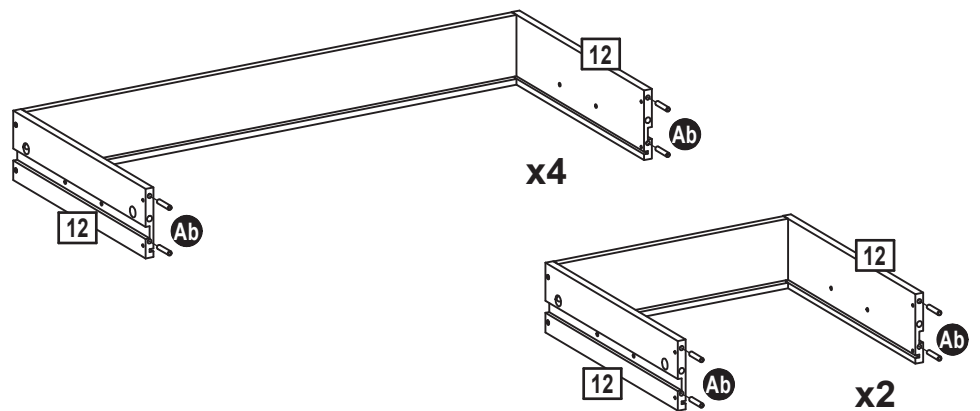
Step 1

Fix the drawer sides **12** to the drawer backs **10** and **11** as shown, using screws **Bp**.



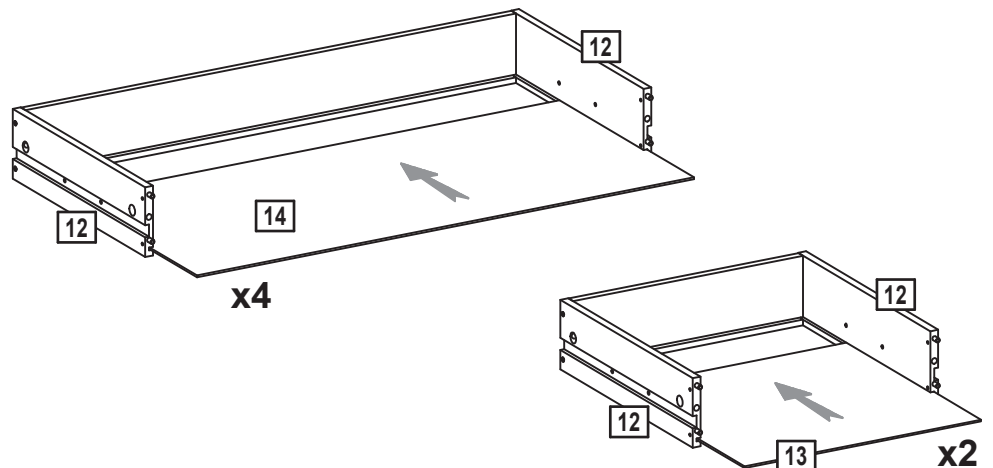
Step 2

Knock the dowels **Ab** into the holes indicated on the drawer sides **12** using a small hammer.



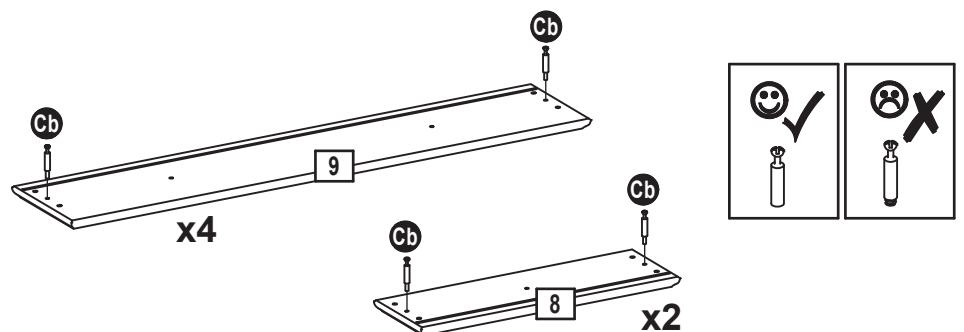
Step 3

Slide the drawer bottoms **13** and **14** into the drawer sides **12**.



Step 4

Screw the bolts **Cb** into the holes indicated on the drawer fronts **8** and **9**.



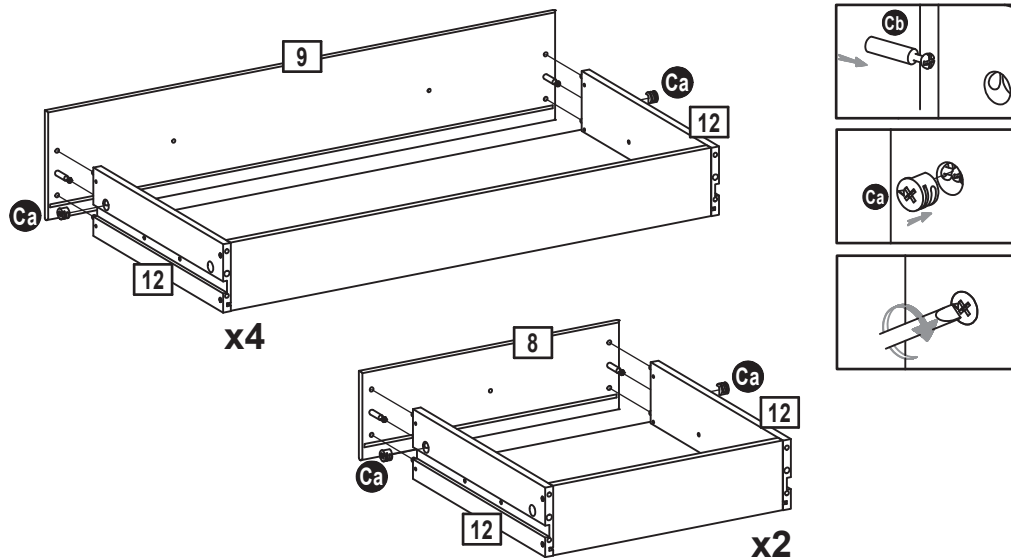
Assembly Instructions

Step 5

Push the drawer fronts **8** and **9** onto the drawer sides **12** as shown.

Push cams **Ca** into the holes indicated. Arrow pointing towards the front.

Turn the cams **Ca** to the right to fix the fronts **8** and **9**.



Step 6

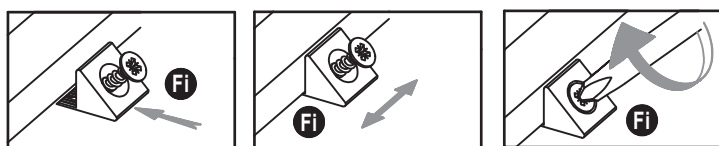
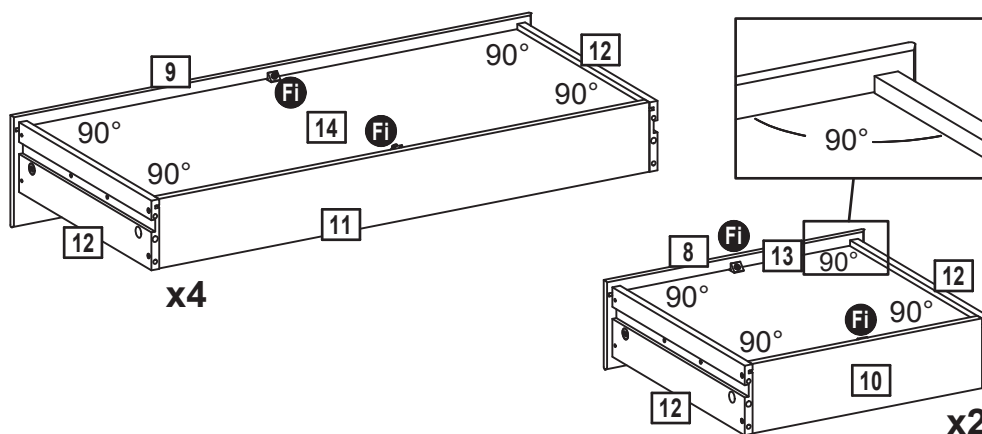


Important!

Make sure the angle between the drawer fronts **8** / **9** and the drawer sides **12** is 90° before the drawer bottoms **13** / **14** is fixed.

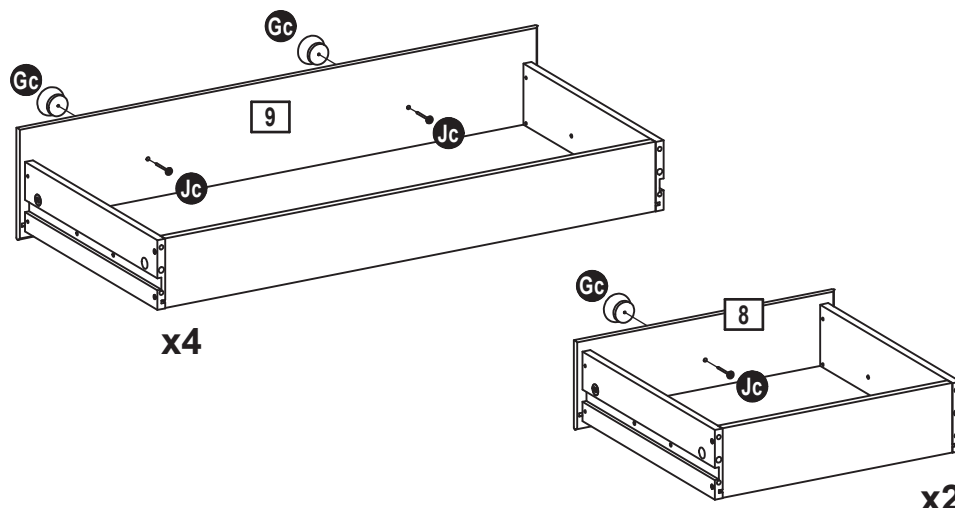
Fix the drawer bottoms **13** and **14** to the drawer backs **10** and **11** and the drawer fronts **8** and **9** using **Fi**.

To adjust the angle between the drawer sides and the drawer fronts push the fitting **Fi** sideways. See details.



Step 7

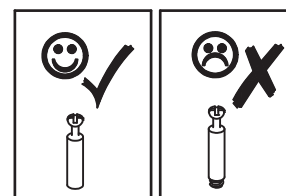
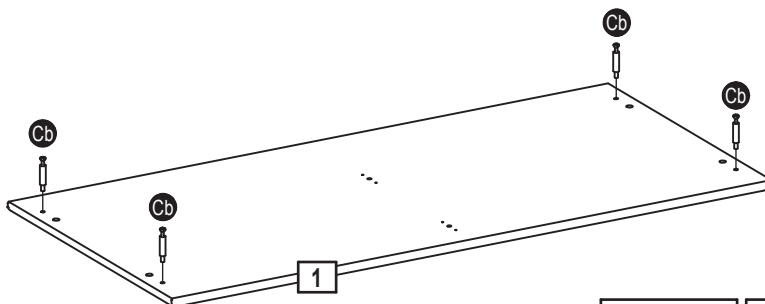
Fix the Wooden knobs **Gc** to the drawer fronts **8** and **9** using screws **Jc**.



Assembly Instructions

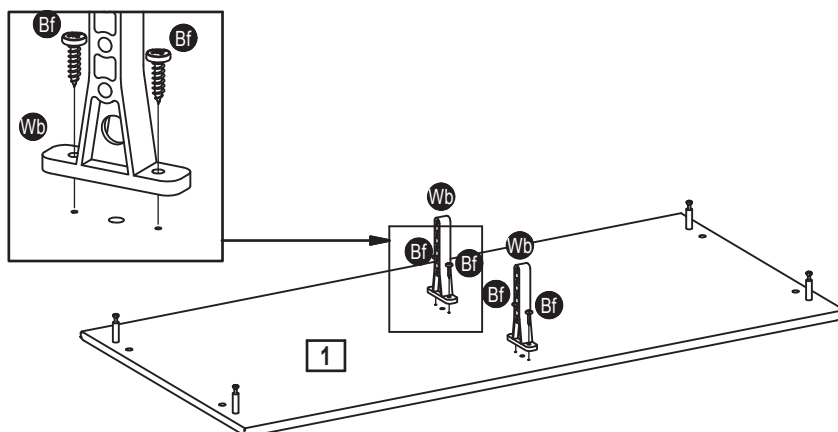
Step 8

Screw the bolts **Cb** into the holes indicated on the top **1**.



Step 9

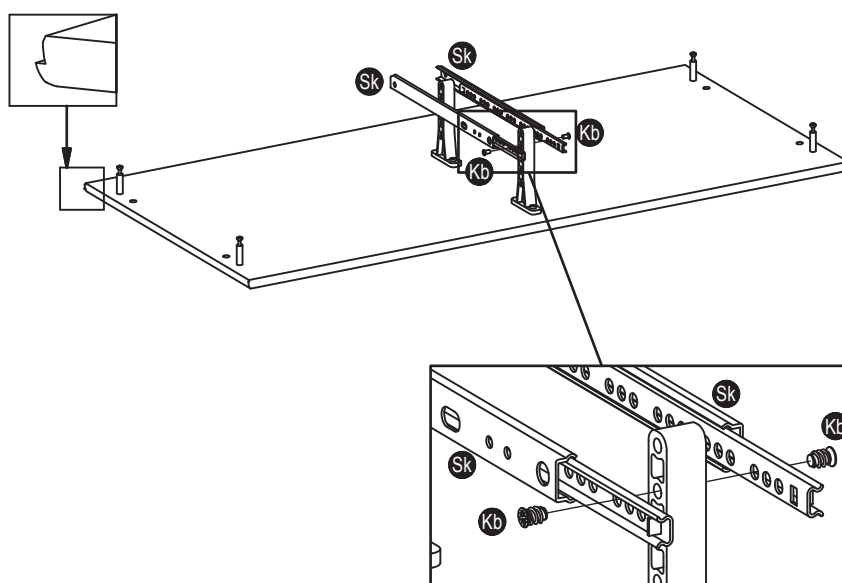
Fix the drawer runner supports **Wb** to the top **1** using screws **Bf** into the holes indicated.



Step 10

Slide the top of the drawer runners **Sk** backwards.

Fix the front end of the drawer runners **Sk** to the drawer runner supports **Wb** using screws **Kb** into the holes indicated. See details.

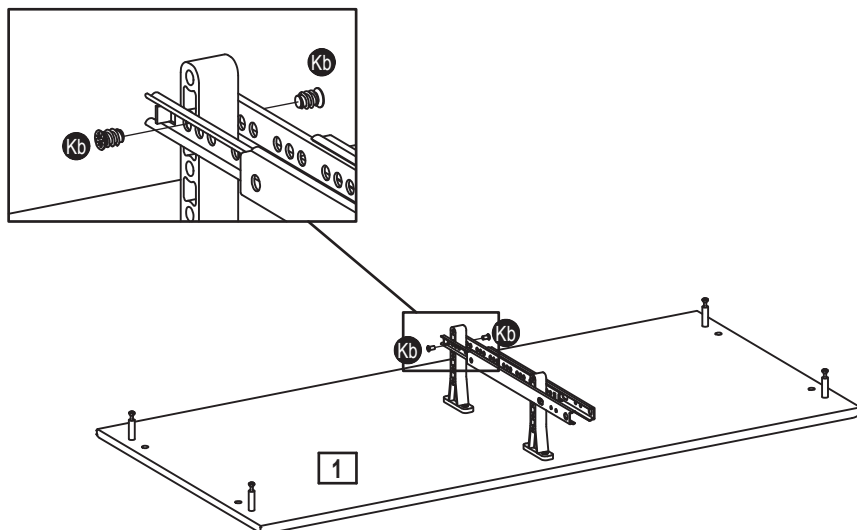


Assembly Instructions

Step 11

Slide the top of the drawer runners **Sk** forwards.

Fix the the drawer runner **Sk** to the drawer runner supports **Wb** using screws **Kb** into the holes indicated. See details.

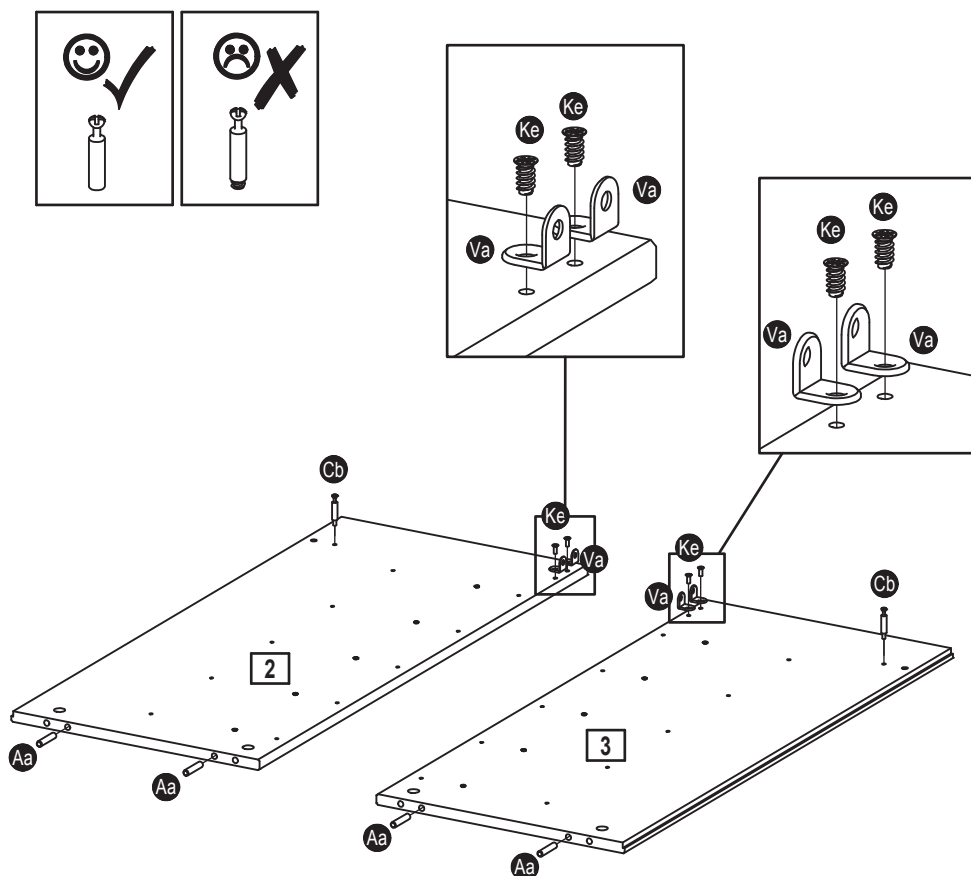


Step 12

Knock the dowels **Aa** into the holes indicated on the sides **2** and **3**.

Screw the bolts **Cb** into the holes indicated on the sides **2** and **3**.

Fix the angles **Va** to the sides **2** and **3** using screws **Ke**. Place the angles as shown. See details.



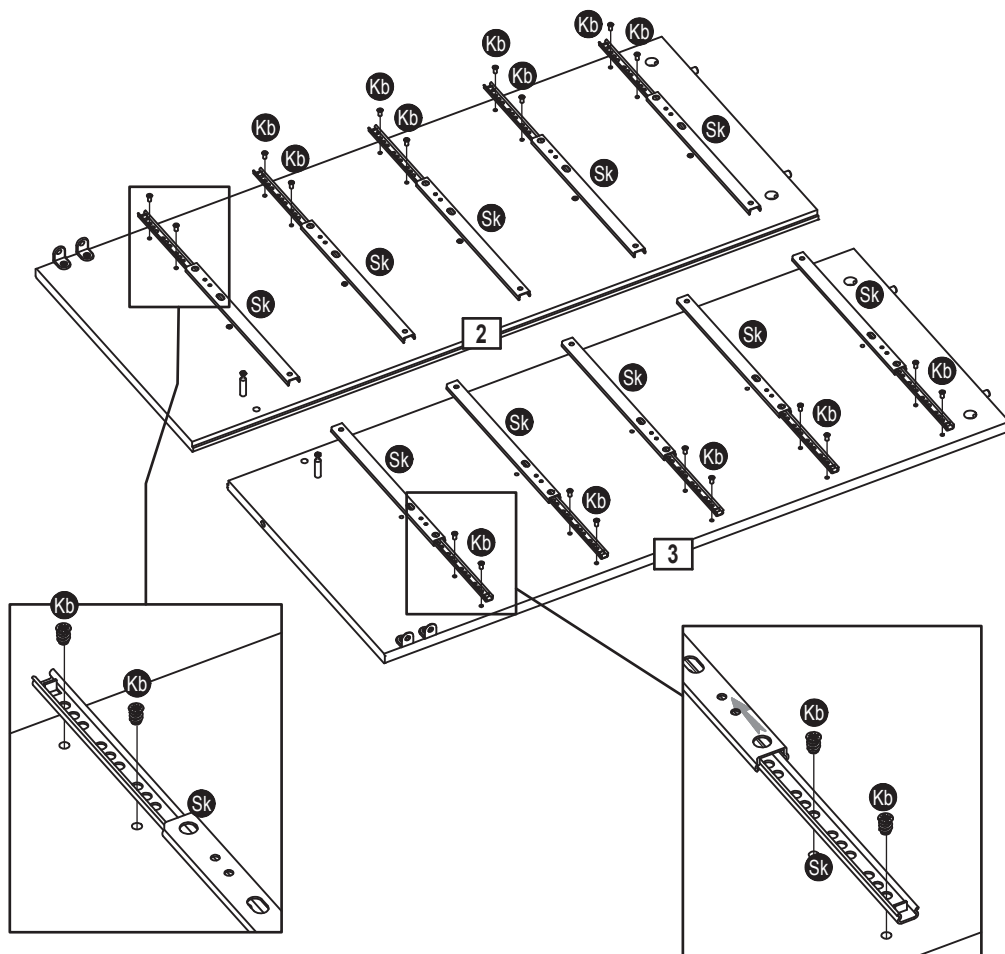
Assembly Instructions

Step 13

Slide the top of the drawer runners **Sk** backwards.

Fix the front end of the drawer runners **Sk** to the sides **2** and **3** using screws **Kb** through the holes indicated.

See details.

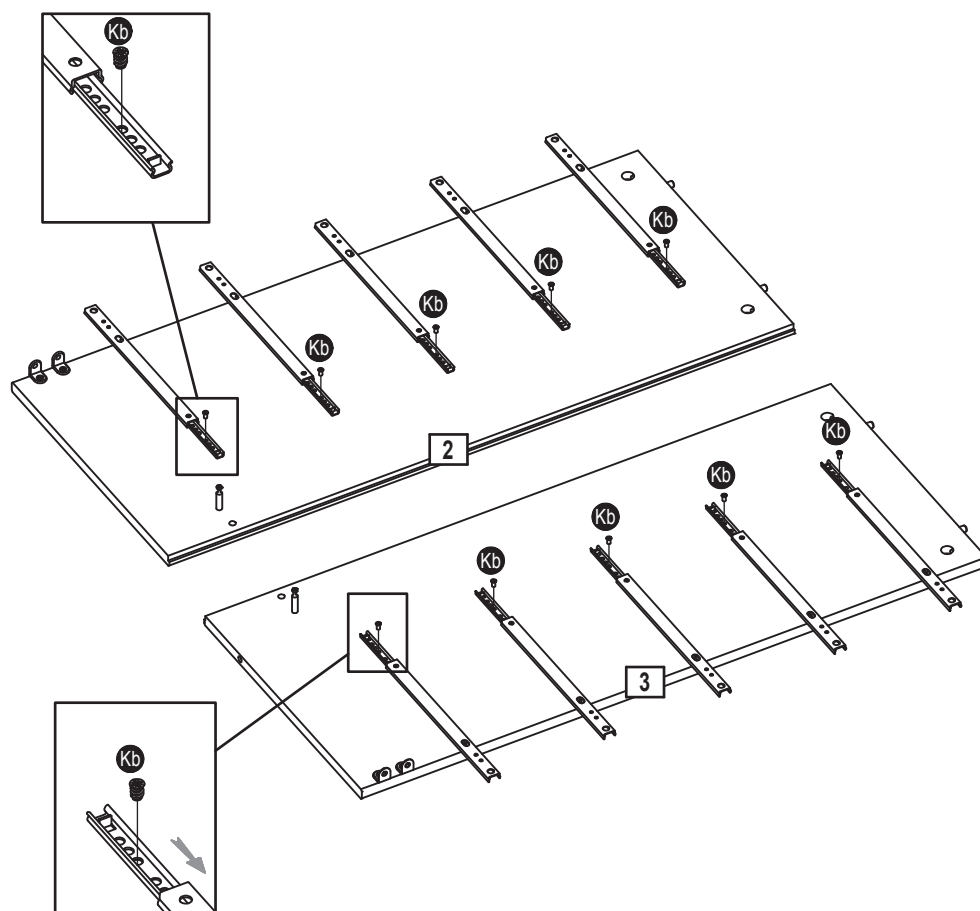


Step 14

Slide the top of the drawer runners **Sk** forwards.

Fix the backend of the drawer runners **Sk** to the sides **2** and **3** using screws **Kb** through the holes indicated.

See details.

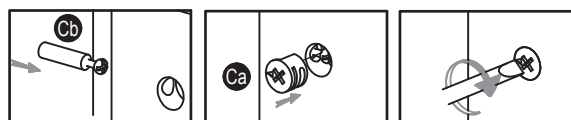
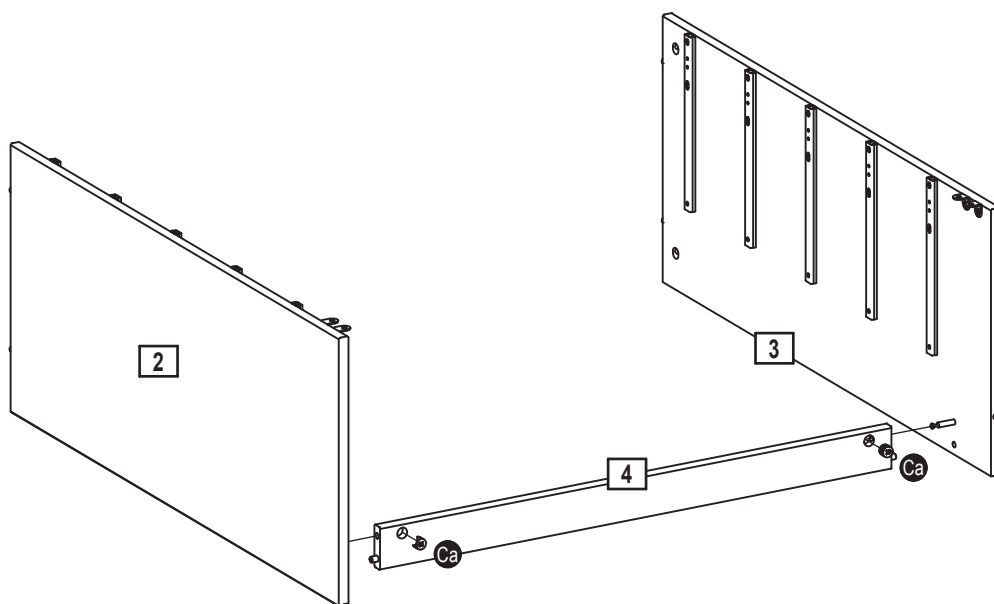


Assembly Instructions

Step 15

Place the sides **2** and **3** onto the back plinth **4**.

Tighten using cams **Ca** into the holes indicated on the back plinth **4**.



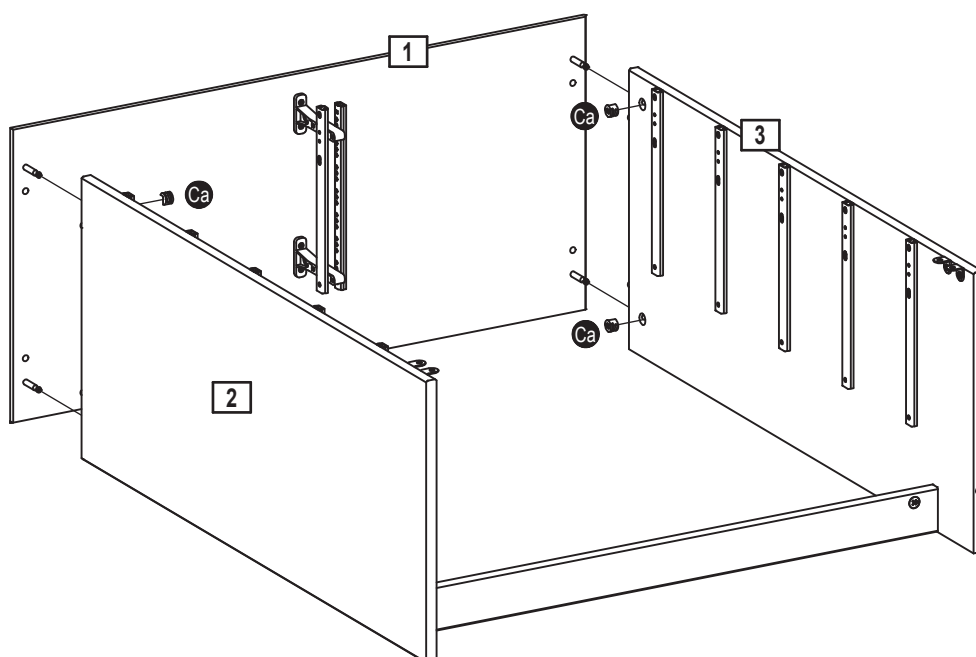
Step 16

Press the top **1** onto the sides **2** and **3**.

Push cams **Ca** into the holes indicated on the sides **2** and **3**.

Arrow pointing towards the top **1**.

Turn the cams **Ca** to the right to fix the top **1**.



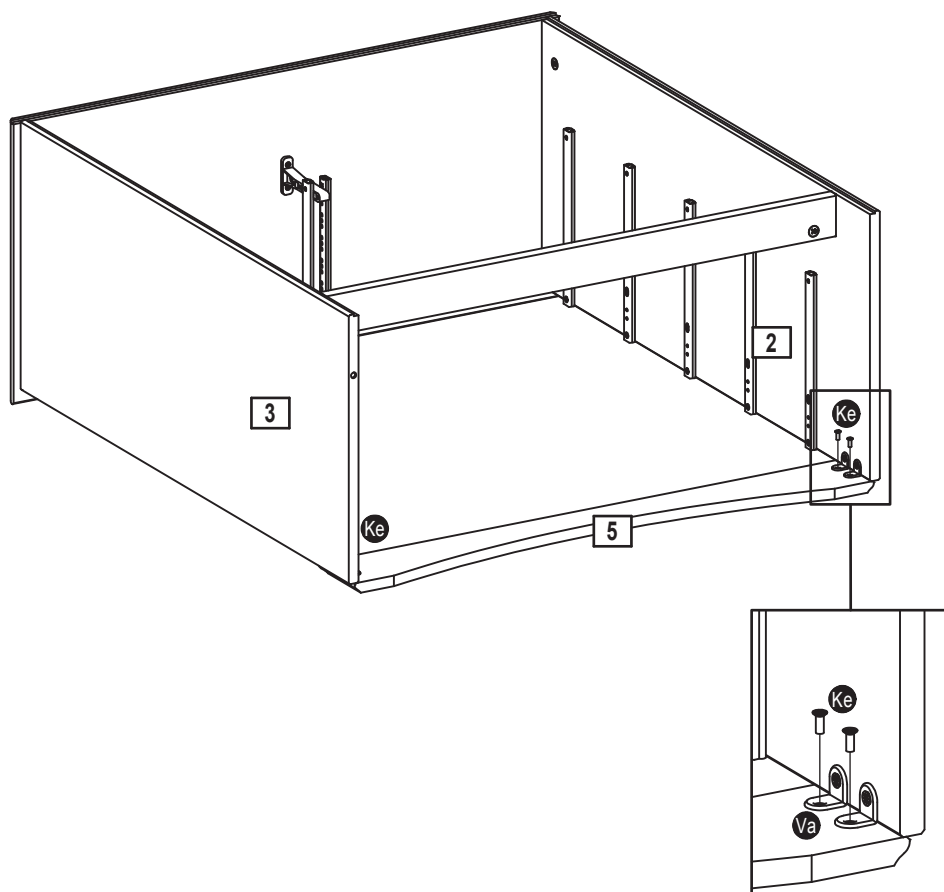
Assembly Instructions

Step 17

Turn around the chest.

Place the front plinth **5** as shown.

Fix the front plinth **5** to the sides **2** and **3** using screws **Ke** into the angles **Va**.



Step 18

Place the backs **7** into the rabbets in the sides **2** and **3** and the top **1** and into the H-profile **15**.

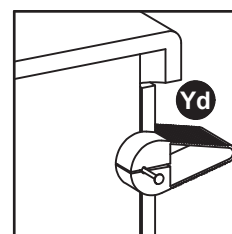
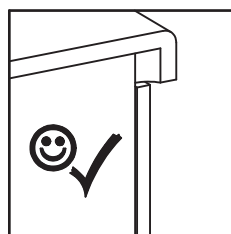
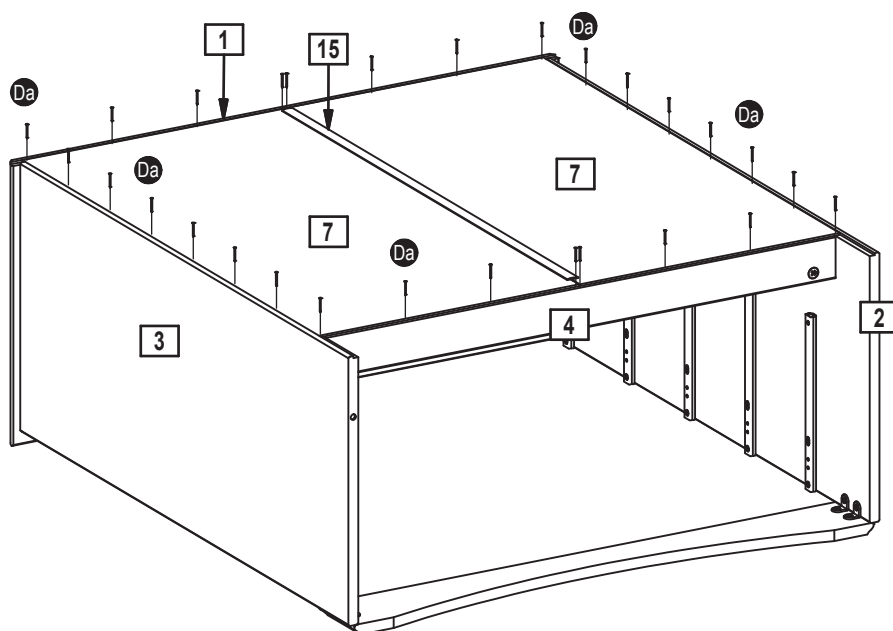


Important!

Make sure the angle between the top **1** and the sides **2** and **3** is 90° when the backs **7** is attached.

Fix the backs **7** to the sides **2** and **3**, the top **1** and the back rail **4** using nails **Da**.

Use the nail holder **Yd** and a small hammer.



Assembly Instructions

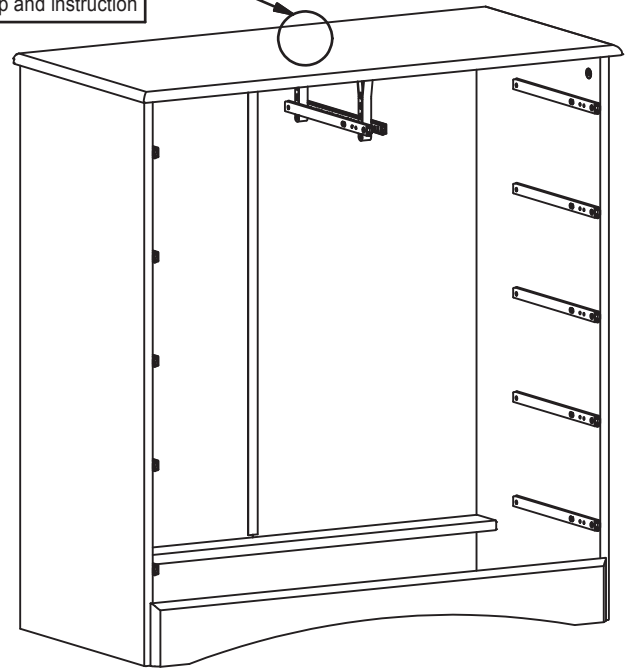
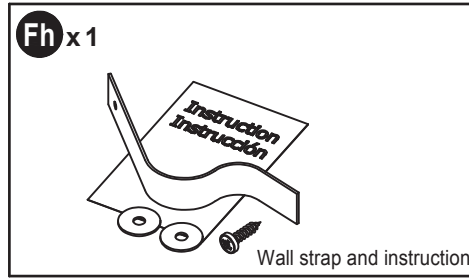
Step 19



Warning!
The chest of drawers is heavy.
Lift with care.

It's recommended that the chest is fixed to the wall.

Use the fittings **Fh**. Follow the instructions included with the fittings.



Step 20

Pull out the drawer runners. Slide the drawers onto the runners.

Fit and fix the lower drawer first and work your way up.

Fix drawers to drawer runners using screws **Hk**.

