

Please check all parts before you begin to assemble the item.
This to make sure you always use the correct part.

Fittings contained in the box.

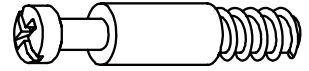
(A) 8 pcs. Cam - Ø15 x 12mm



(B) 30 pcs. Cam - Ø12 x 10,5mm



(C) 38 pcs. Bolt - Ø6,5 x 24/11mm



(D) 24 pcs. Screw - Ø4 x 20mm



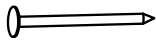
(E) 40 pcs. Screw - Ø3,5 x 35mm



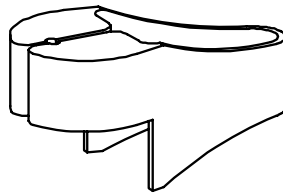
(F) 2 pcs. Dowel - Ø6 x 30mm



(G) 24 pcs. Nail - 1,2 x 20mm



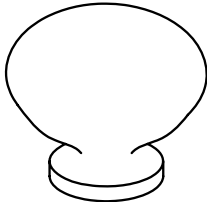
(H) 1 pcs. Nail Guide



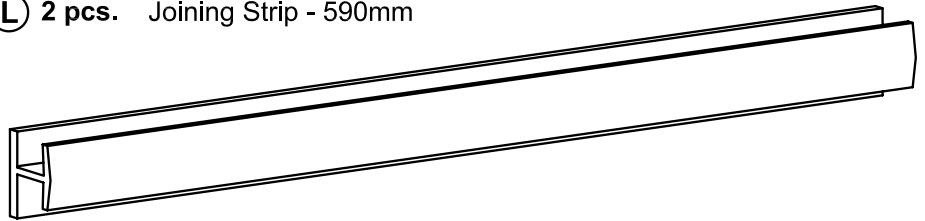
(J) 7 pcs. Screw - Ø3,5 x 25mm



(K) 12 pcs. Knob - Ø40 x 30mm



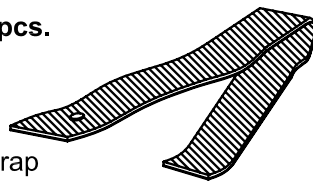
(L) 2 pcs. Joining Strip - 590mm



(M) 4 pcs. Screw - Ø4 x 13mm



(N) 1 pcs.

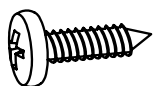


Wall strap

(P) 1 pcs. Washer

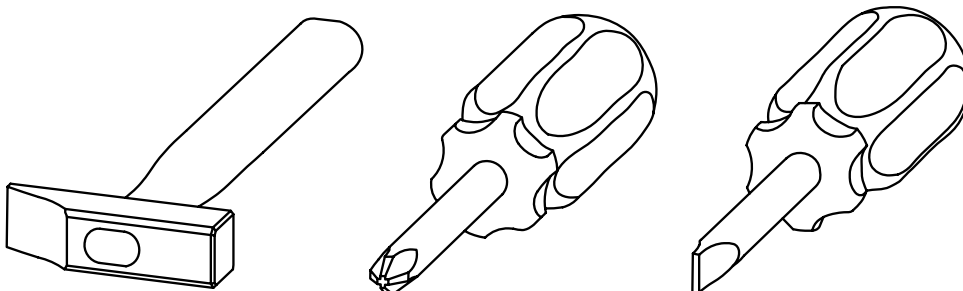


(Q) 1 pcs. Screw - Ø4 x 13mm

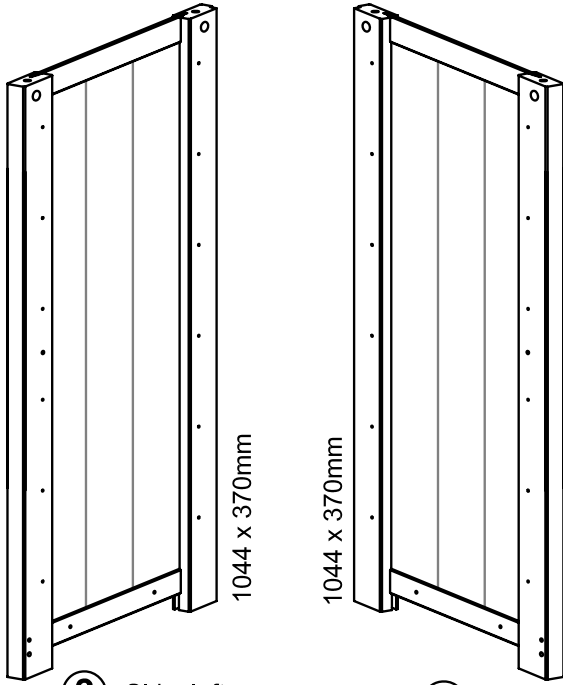
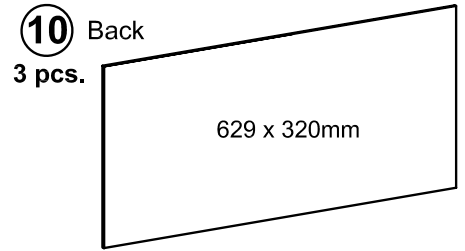
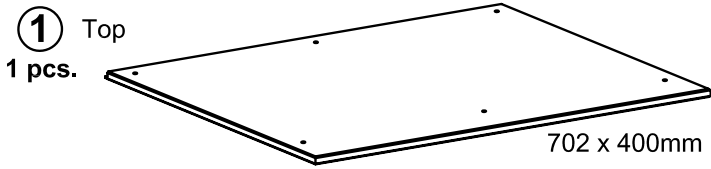


Hazard Warning !
Keep small components out of the reach of children.

Tools needed for assembling.

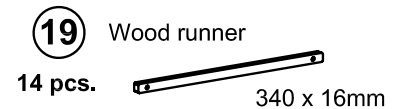
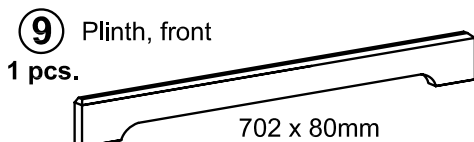
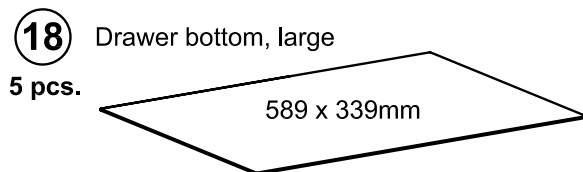
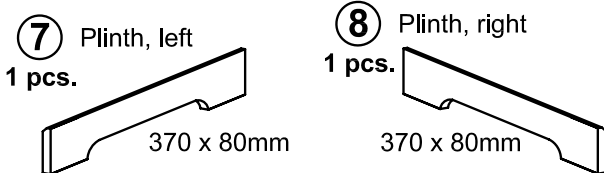
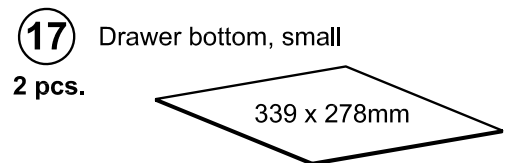
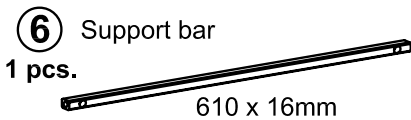
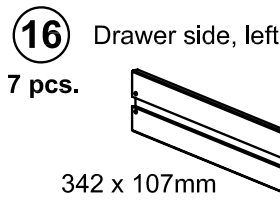
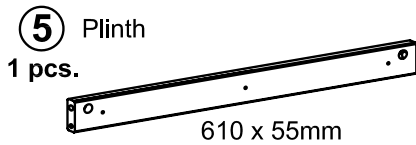
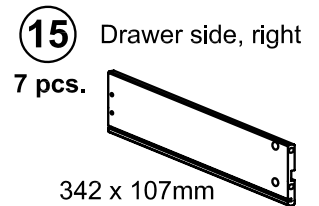
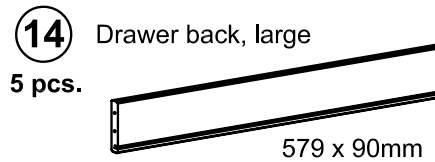
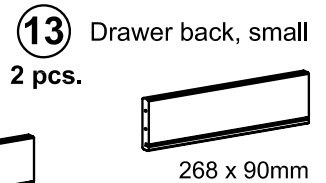
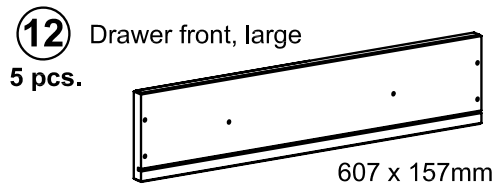
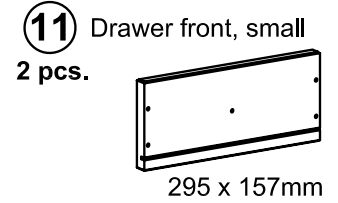
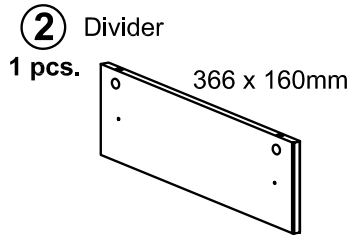


Wooden parts contained in the box.

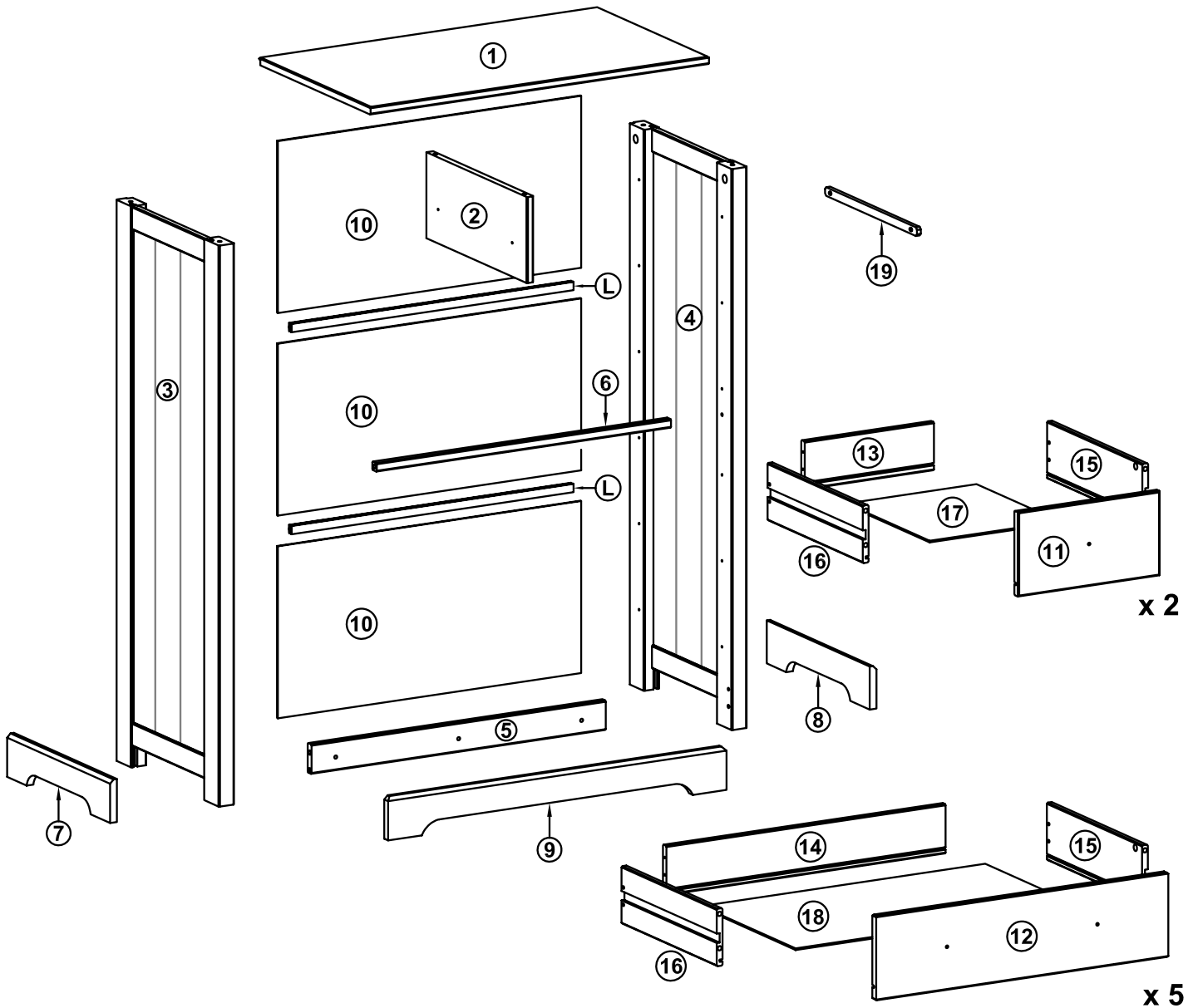


3 Side, left
1 pcs.

4 Side, right
1 pcs.



Key diagram.



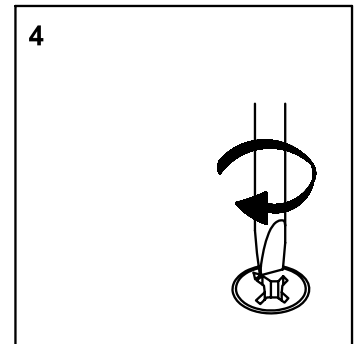
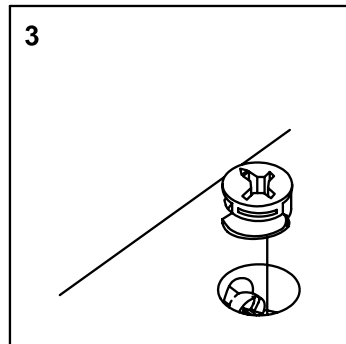
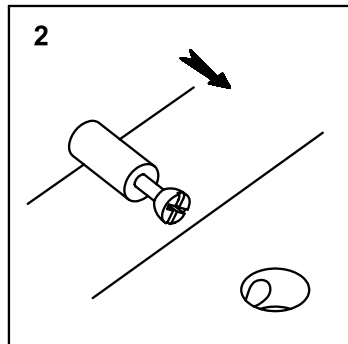
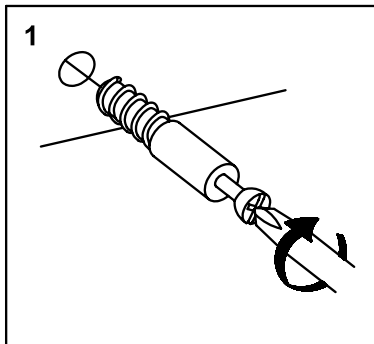
Assembly of cam and bolt.

Step 1:
Fix the bolt to the wooden panel.

Step 2:
Push the wooden panel with the attached bolt onto the other wooden panel.

Step 3:
Place the cam into the hole, arrow pointing towards the bolt.

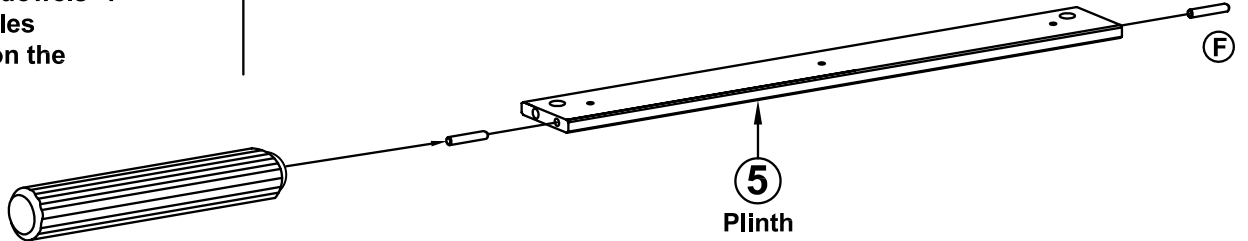
Step 4:
Tighten: Turn the cam to the right.



1. Inserting the dowels to the plinth.

Knock the dowels "F" into the holes indicated on the plinth "5".

F
2 pcs.



2. Mounting the bolts and the wood runners to the sides.

Screw the bolts "C" into the holes indicated on the sides "3" and "4".

Fix the wood runners "19" to the sides "3" and "4", using screws "D".

See fig. 2.1

19 Wood runner
12 pcs.

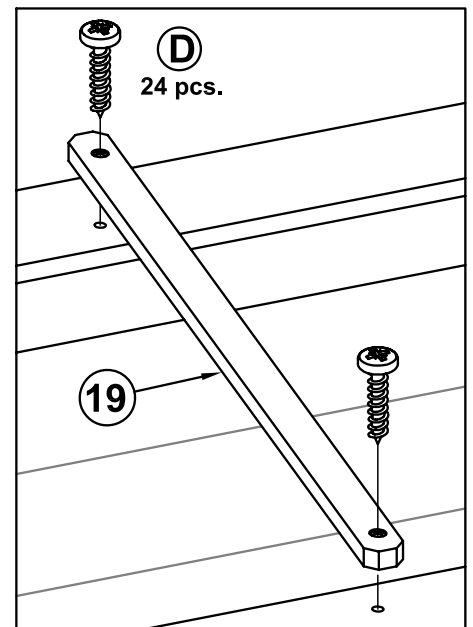
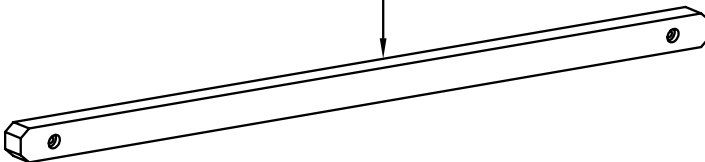
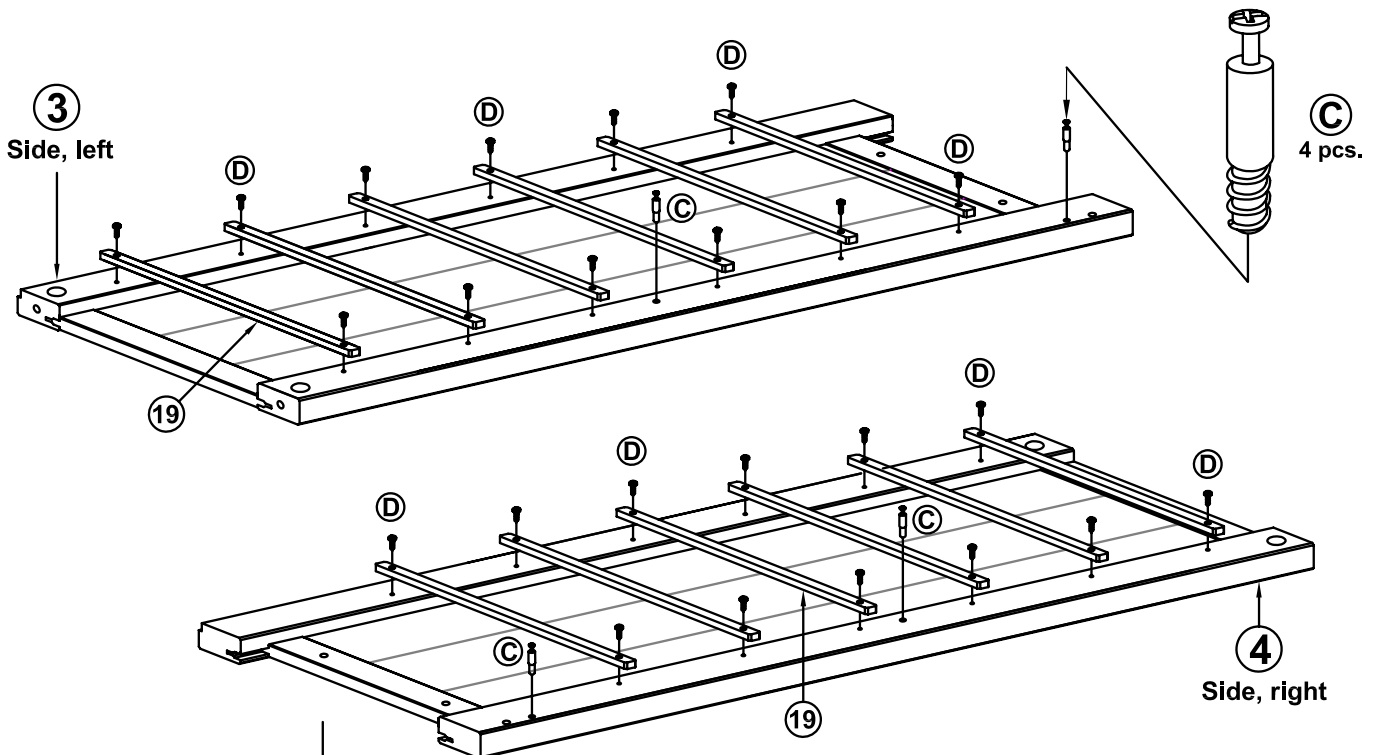


Fig. 2.1



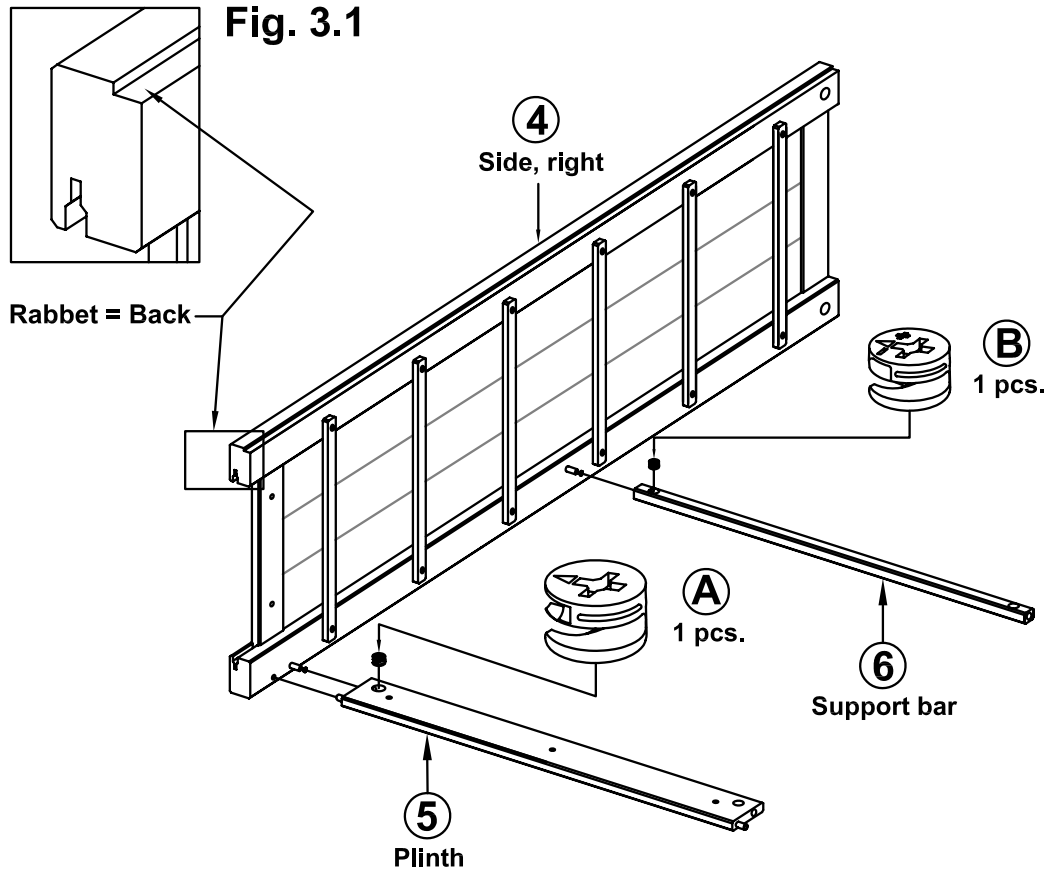
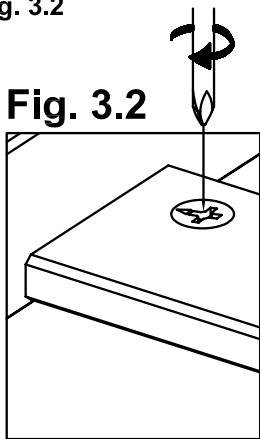
3. Adding the plinth to the right hand side.

Press the plinth "5" and the support bar "6" onto the side "4".

See page 4 "Assembly of cam and bolt".

Place the cam "A" & "B" into the hole indicated, arrow pointing towards the side / bolt.

Tighten:
Turn the cam to the right.
Fig. 3.2



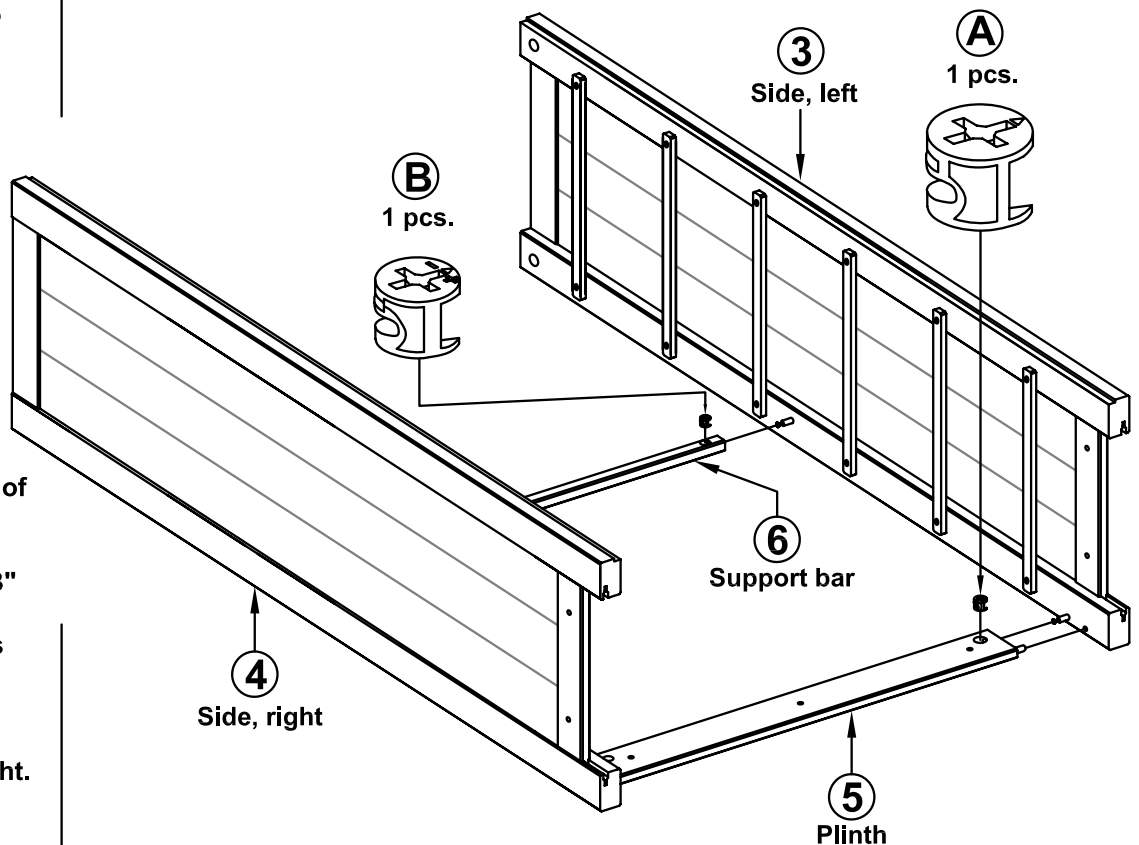
4. Assembling the left hand side to the plinth.

Press the side "3" onto the plinth "5" and the support bar "6".

See page 4 "Assembly of cam and bolt".

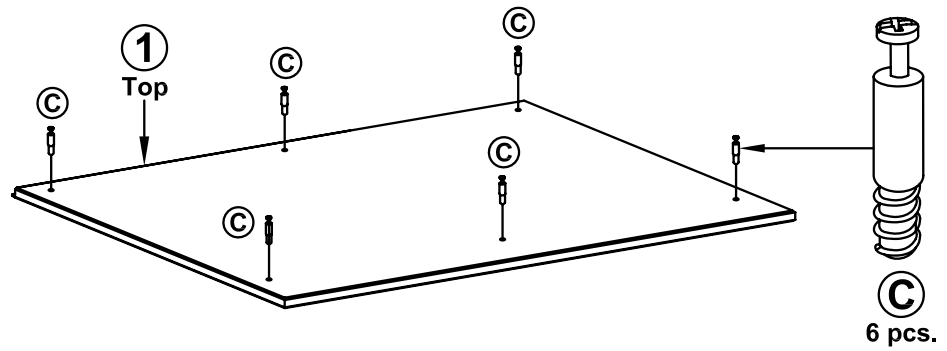
Place the cam "A" & "B" into the hole indicated, arrow pointing towards the side / bolt.

Tighten:
Turn the cam to the right.
Fig. 3.2



5. Mounting the bolts to the top.

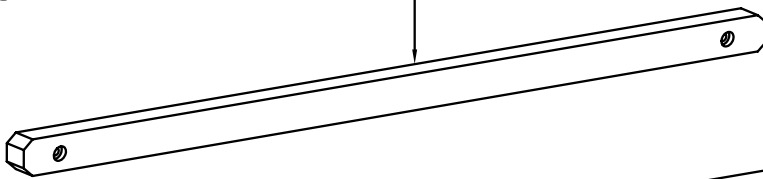
Screw the bolts "C" into the holes indicated on the top "1".



6. Mounting the wood runners to the divider - part 1.

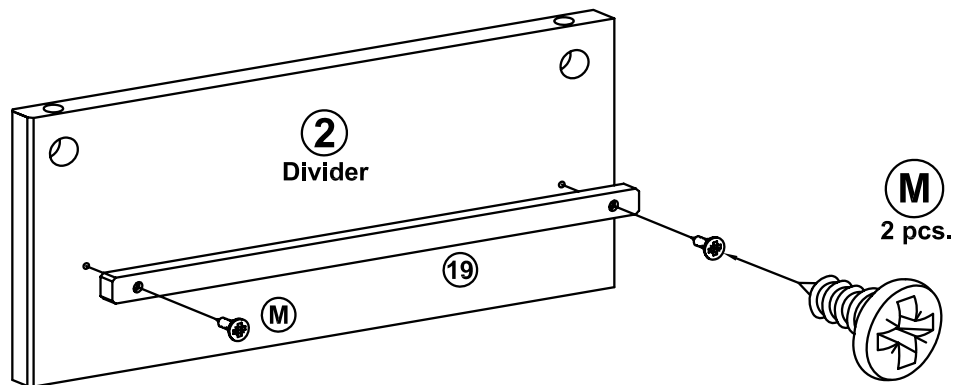
Fix the wood runners "19" to the right hand side of the divider "2" using screws "M".

19 Wood runner
2 pcs.



First use the two holes in the wood runners.

The holes mentioned above should both fit the holes in the divider.

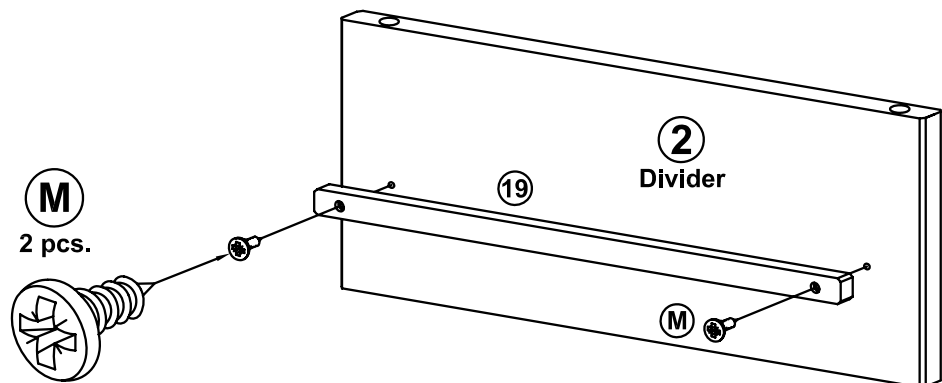


7. Mounting the wood runners to the divider - part 2.

Fix the wood runners "19" to the left hand side of the divider "2" using screws "M".

First use the two holes in the wood runners.

The holes mentioned above should both fit the holes in the divider.

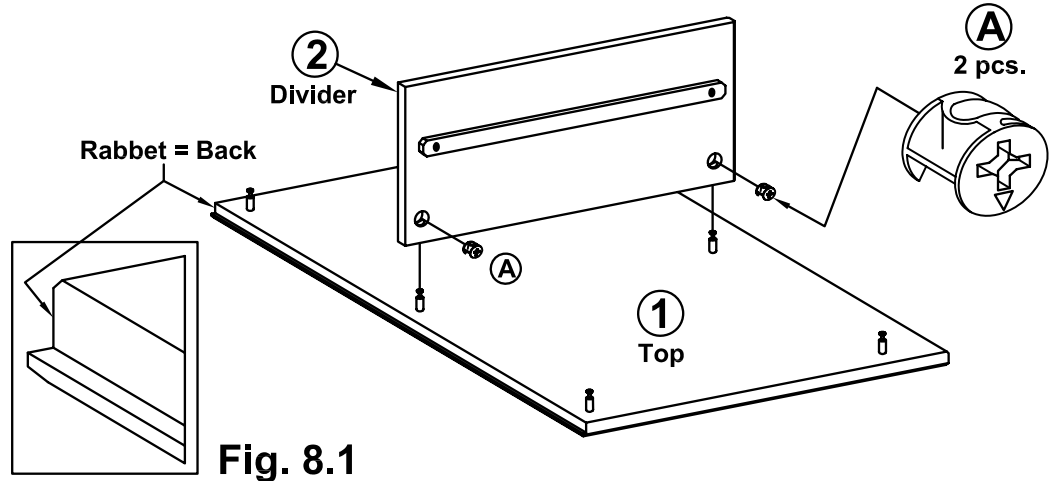


8. Assembling the divider to the top.

Press the divider "2" onto the top "1".

The divider must be turned EXACTLY as shown here.

See page 4 "Assembly of cam & bolt".



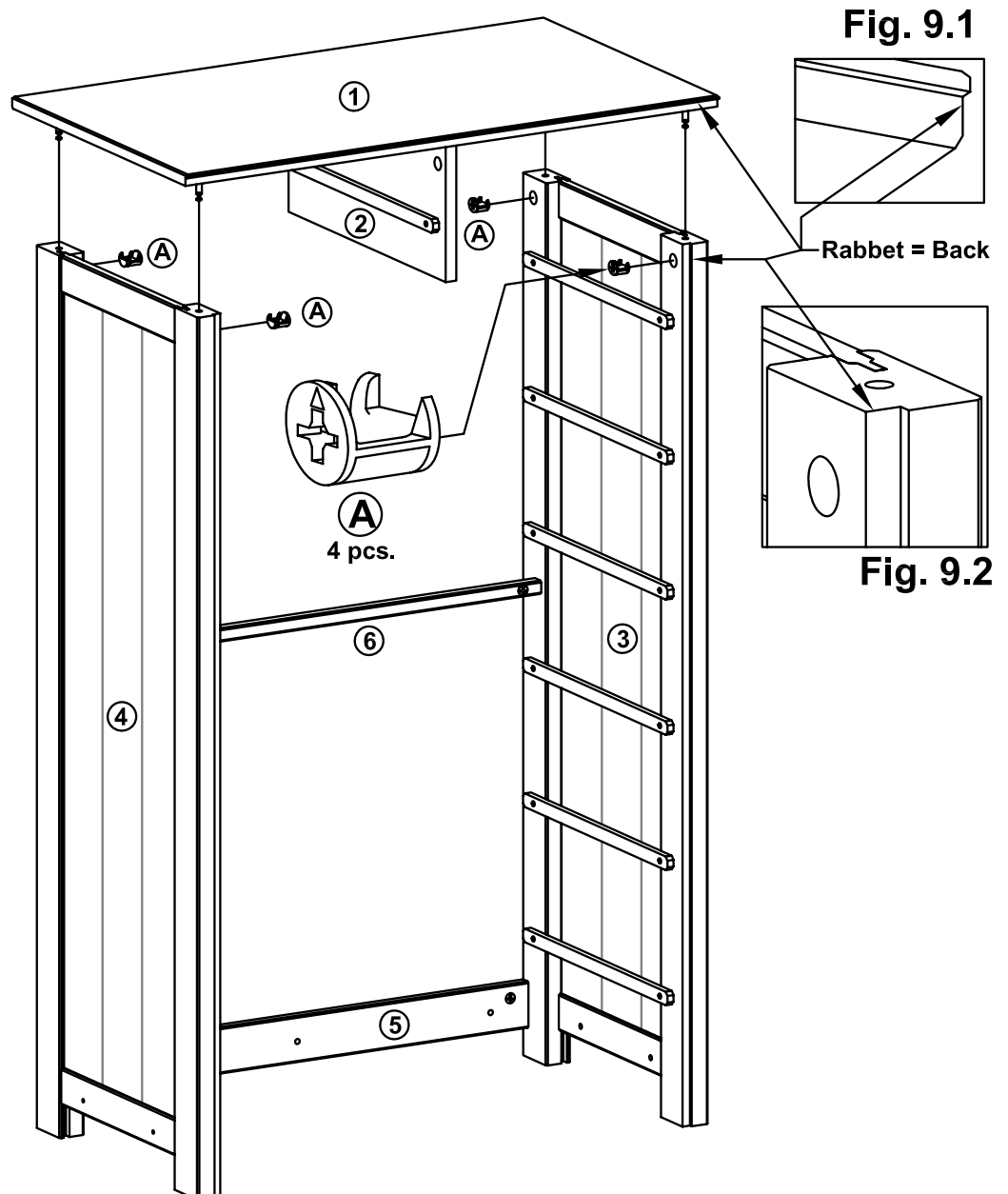
9. Assembling the top and the divider to the side.

Lower the top "1" and the divider "2" onto the sides "3" & "4".

See page 4 "Assembly of cam & bolt".

Place the cam "A" into the holes indicated, arrows pointing towards the bolts. See page 4.

Tighten:
Turn the cams to the right.

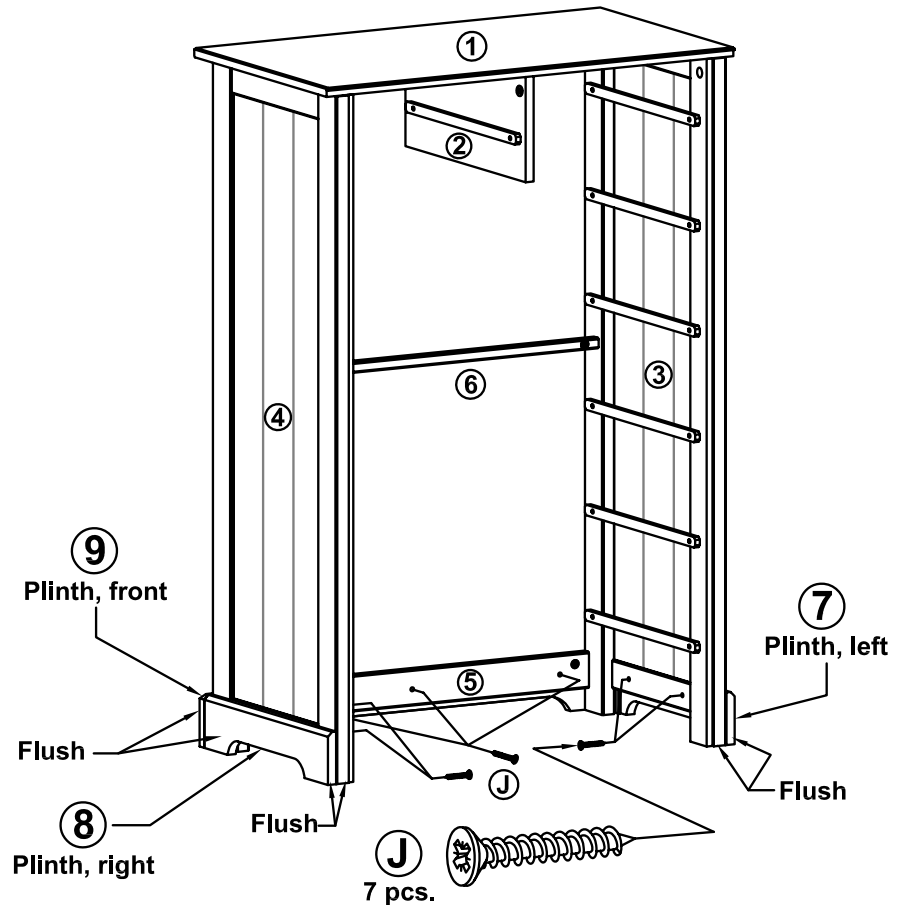


10. Mounting the plinth left, right and front to the sides and the plinth.

Fix the plinth left and right "7" and "8" to the side left and right "3" and "4" using screws "J".

Fix the plinth front "9" to the plinth "5" using screws "J".

The grooves of the plinth left, right, front and the sides, the plinth should be turned exactly as shown.



11. Nailing the back to the top.

Place the back "10" into the rabbet of the top "1" and the side "3" & "4". See fig. 11.1

Ensure that there is NO GAP between the right hand side "4" and the back "10", AND between the top and the back.

Fasten the back with nails "G" along the top. Use the nail guide "H". See fig. 11.2

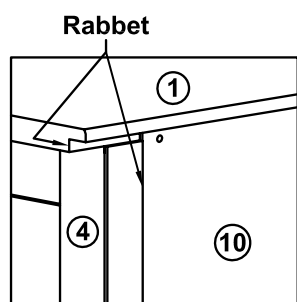


Fig. 11.1

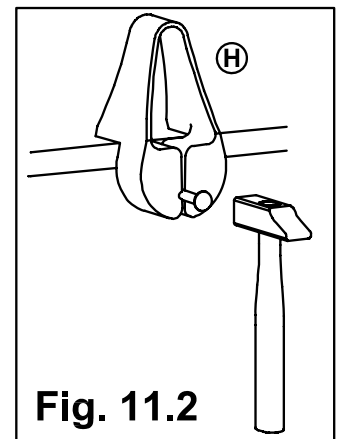
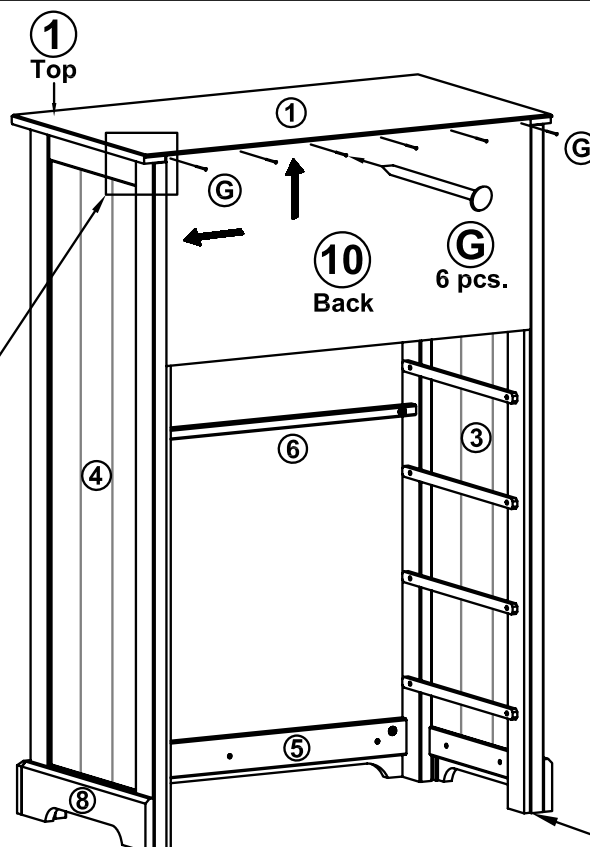


Fig. 11.2

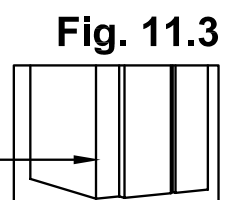


Fig. 11.3

12. Nailing the back to the sides.

The angle between the top and the side must be 90 degrees.
Fig. 12.1

To accomplish this, ensure that there is **NO GAP** between the right hand side "3" & "4" and the back "10".

Fasten the back with nails "G" along the sides.
Use the nail guide "H".
See fig. 12.2

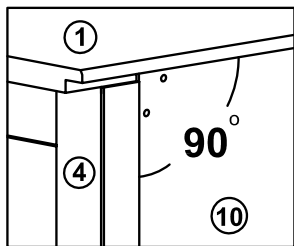


Fig. 12.1

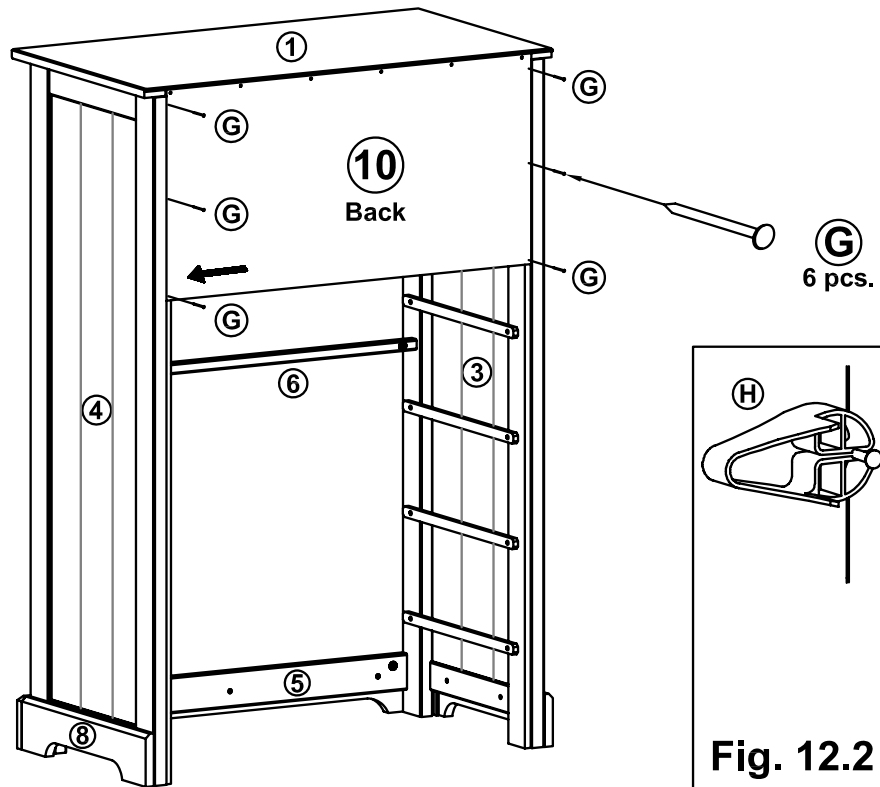


Fig. 12.2

13. Adding the middle back and the joining strip.

Place the joining strip "L" in between the upper and lower back "10".

See fig. 13.1

Ensure that there is **NO GAPS** between the back and the sides.

Fasten the back with nails "G" along the sides.
Use the nail guide "H".
See fig. 12.2

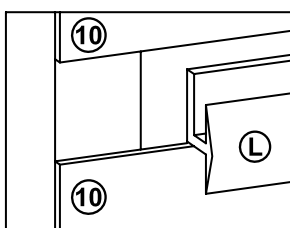
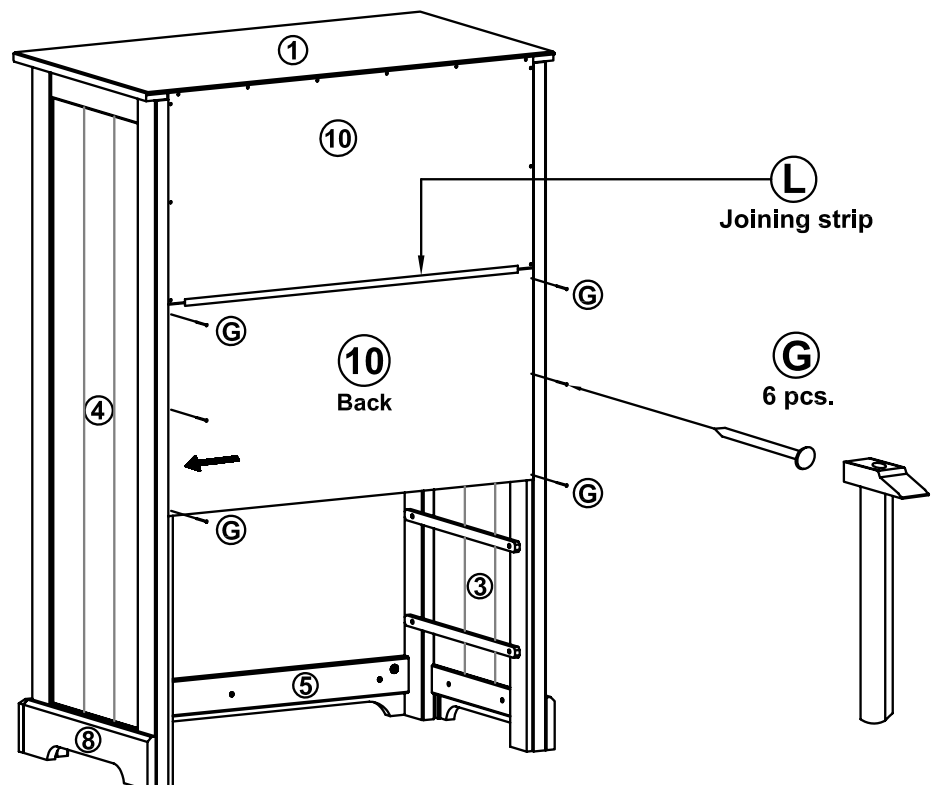


Fig. 13.1



14. Adding the lower back and the joining strip.

Place the joining strip "L" in between the middle and lower back "10".

See fig. 13.1

Ensure that there is **NO GAPS** between the back and the sides.

See fig. 14.1

Fasten the back with nails "G" along the sides. Use the nail guide "H". See page 10, fig. 12.2

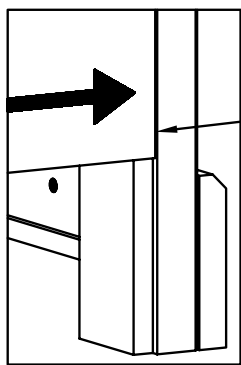
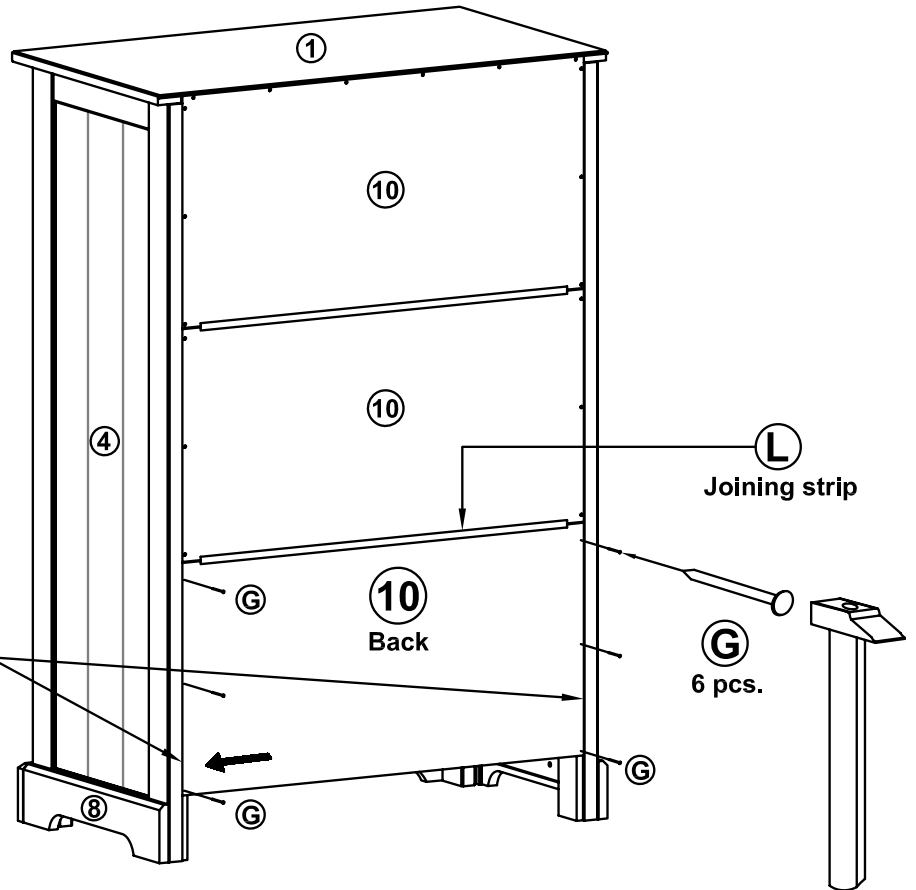


Fig. 14.1

NO GAP



15. Adding the drawer sides to the small drawer back.

Fix the drawer sides "15" and "16" to the small drawer back "13" using screws "E".

The grooves of the drawer sides and back should turn exactly as shown.

See fig. 15.1

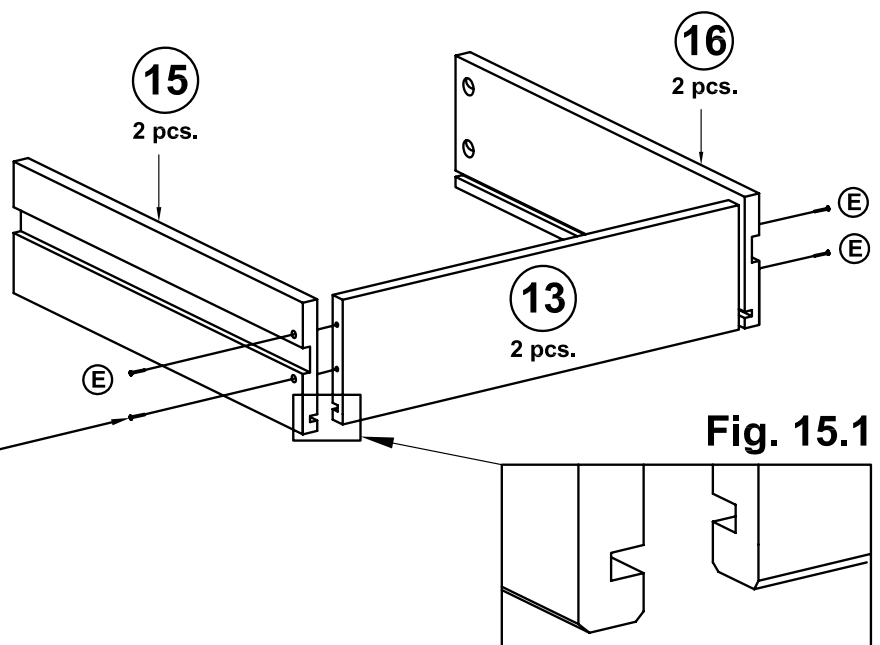
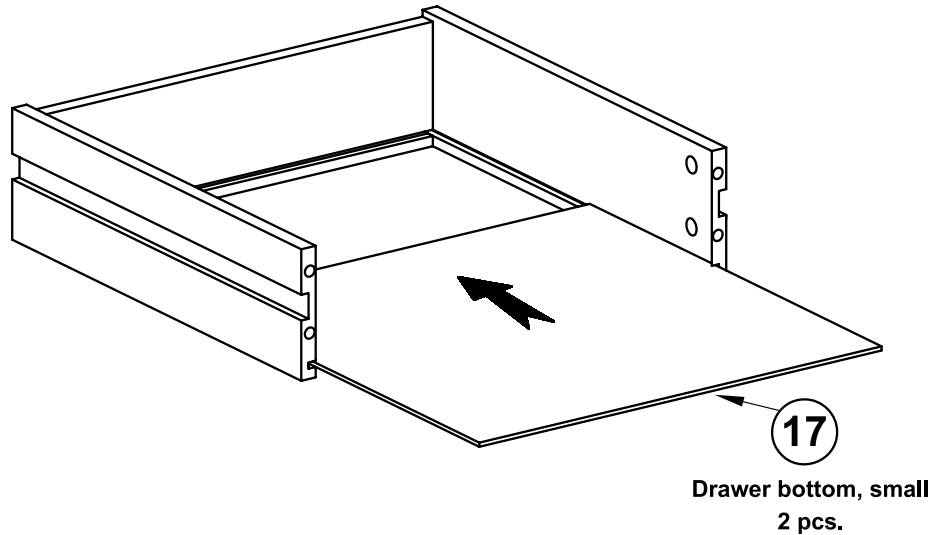


Fig. 15.1

E
8 pcs.

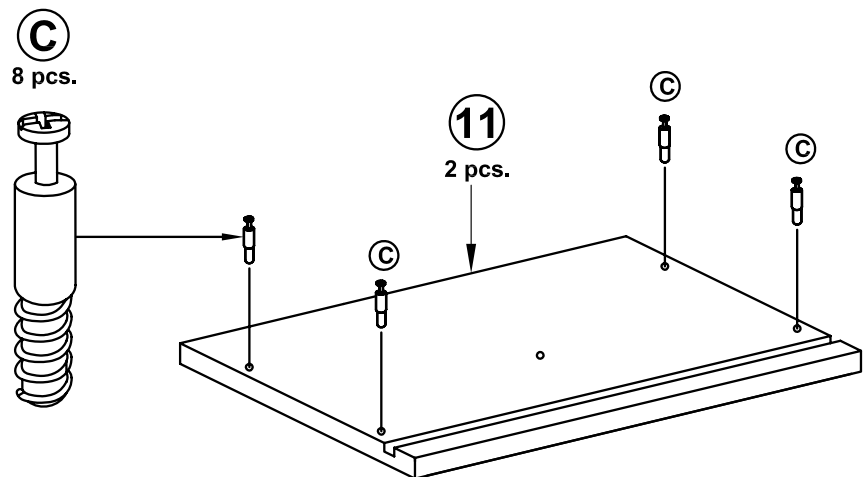
16. Sliding the small drawer bottom into the drawer frame.

Slide the small drawer bottom "17" into the grooves of the drawer frame.



17. Mounting the bolts to the small drawer front.

Screw the bolts "C" into the holes indicated on the small drawer front "11".



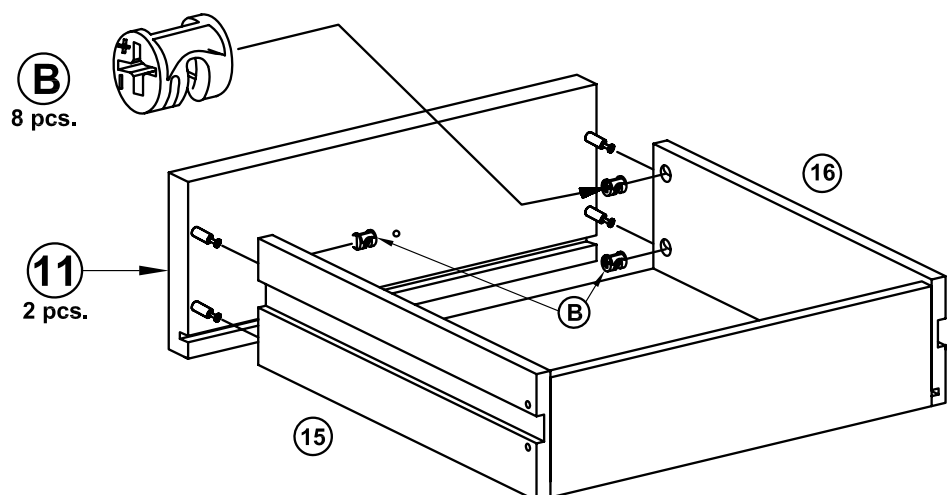
18. Adding the small drawer front to the drawer frame.

Press the small drawer front "11" onto the drawer sides "15" and "16".

Place the cam "B" into the holes indicated, arrows pointing towards the bolts.

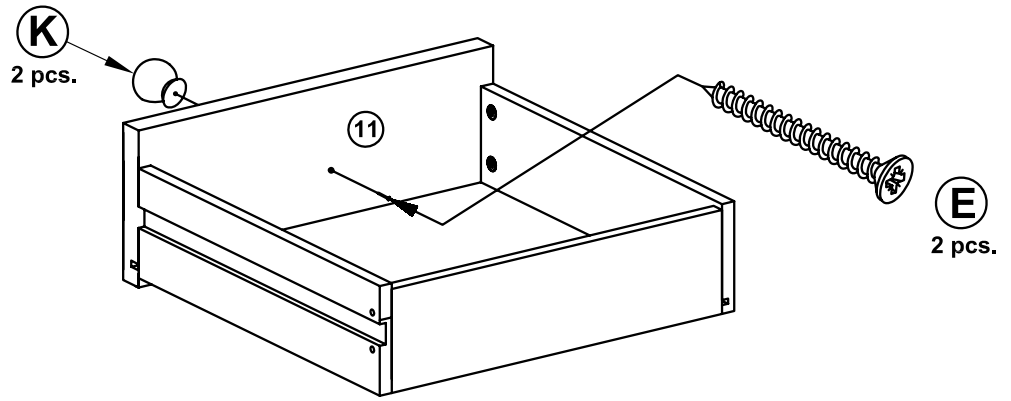
Tighten:
Turn the cam to the right.

"Assembly of cam & bolt" see page 4.



19. Mounting the knobs to the small drawer front.

Fix the knobs "K" to the small drawer front "11" using screws "E".

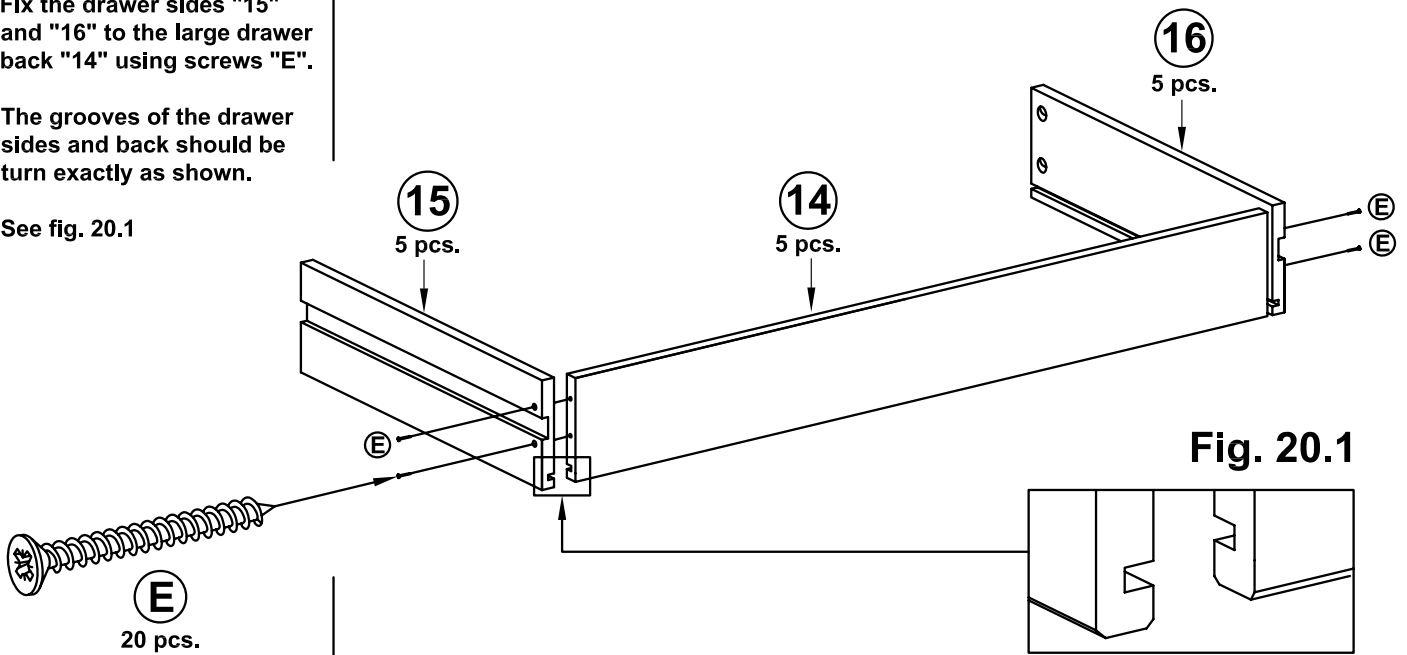


20. Adding the drawer sides to the large drawer back.

Fix the drawer sides "15" and "16" to the large drawer back "14" using screws "E".

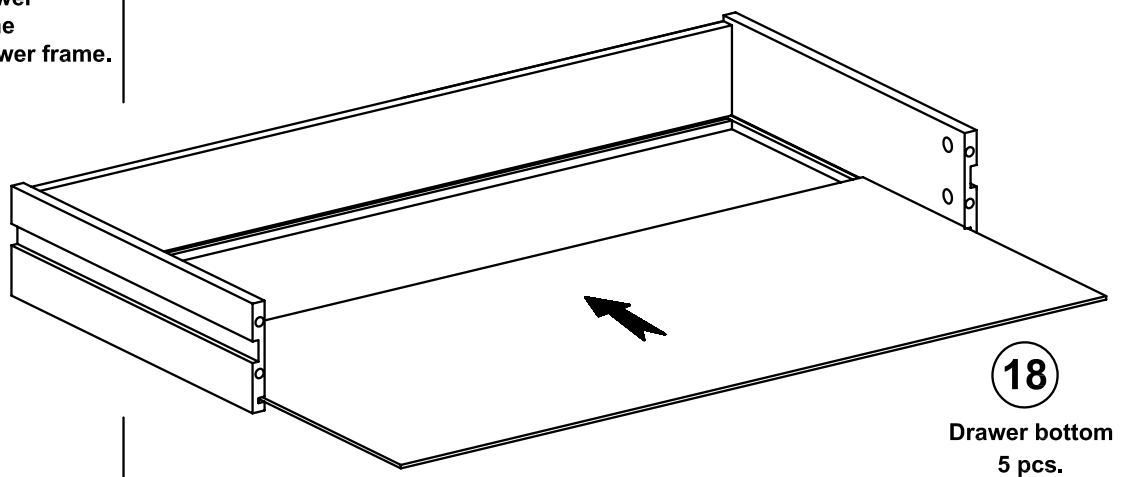
The grooves of the drawer sides and back should be turned exactly as shown.

See fig. 20.1



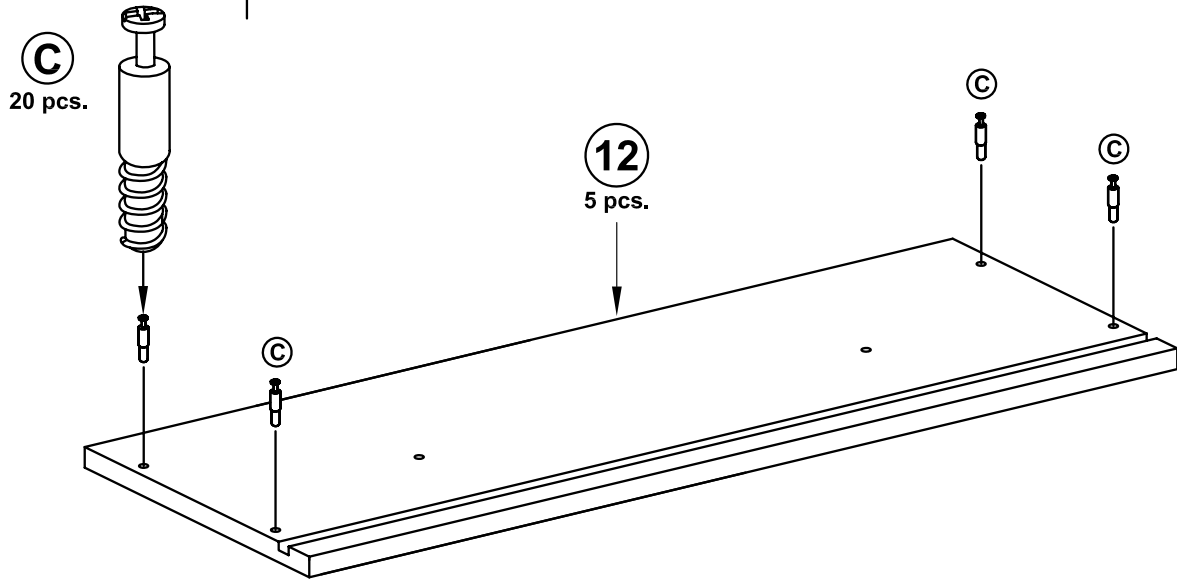
21. Sliding the large drawer bottom into the drawer frame.

Slide the large drawer bottom "18" into the grooves of the drawer frame.



22. Mounting the bolts to the large drawer front.

Screw the bolts "C" into the holes indicated on the drawer front "12".



23. Adding the drawer front to the drawer frame.

Press the drawer front "12" onto the drawer sides "15" and "16".

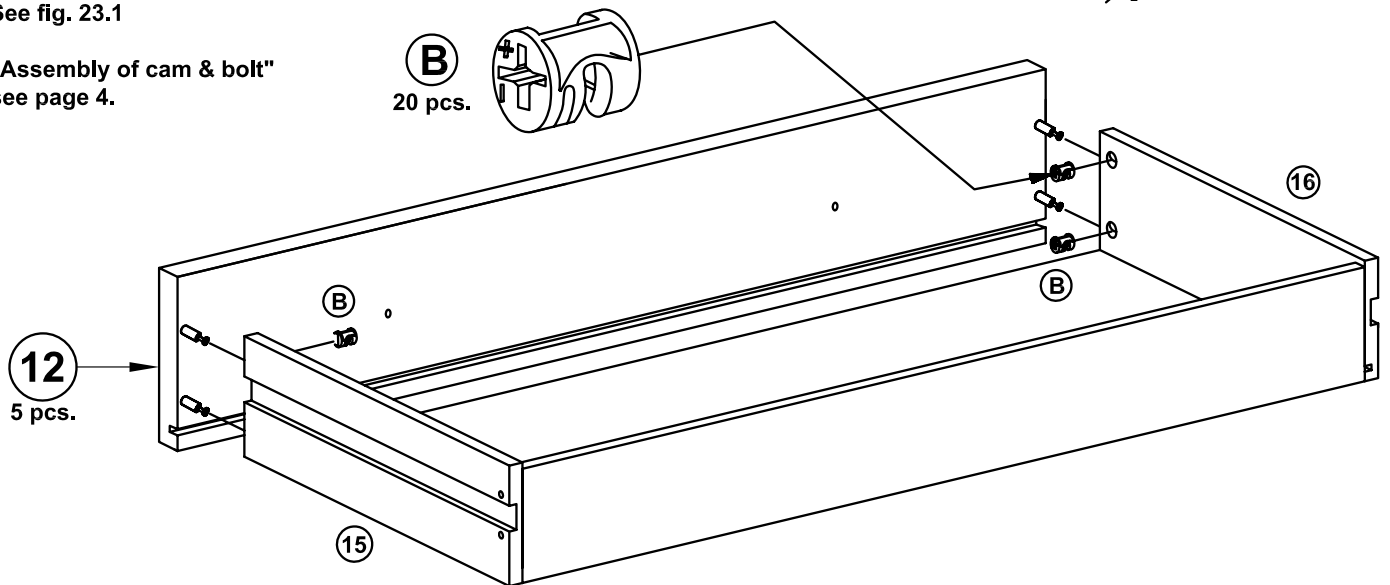
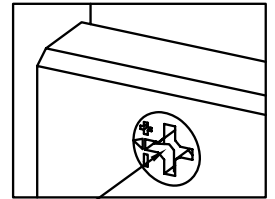
Place the cam "B" into the holes indicated, arrows pointing towards the bolts.

Tighten:
Turn the cam to the right.

See fig. 23.1

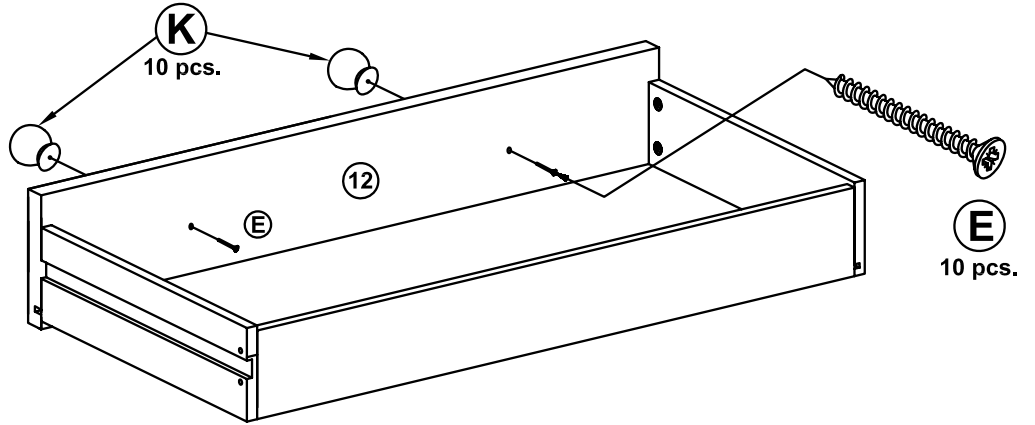
"Assembly of cam & bolt"
see page 4.

Fig. 23.1



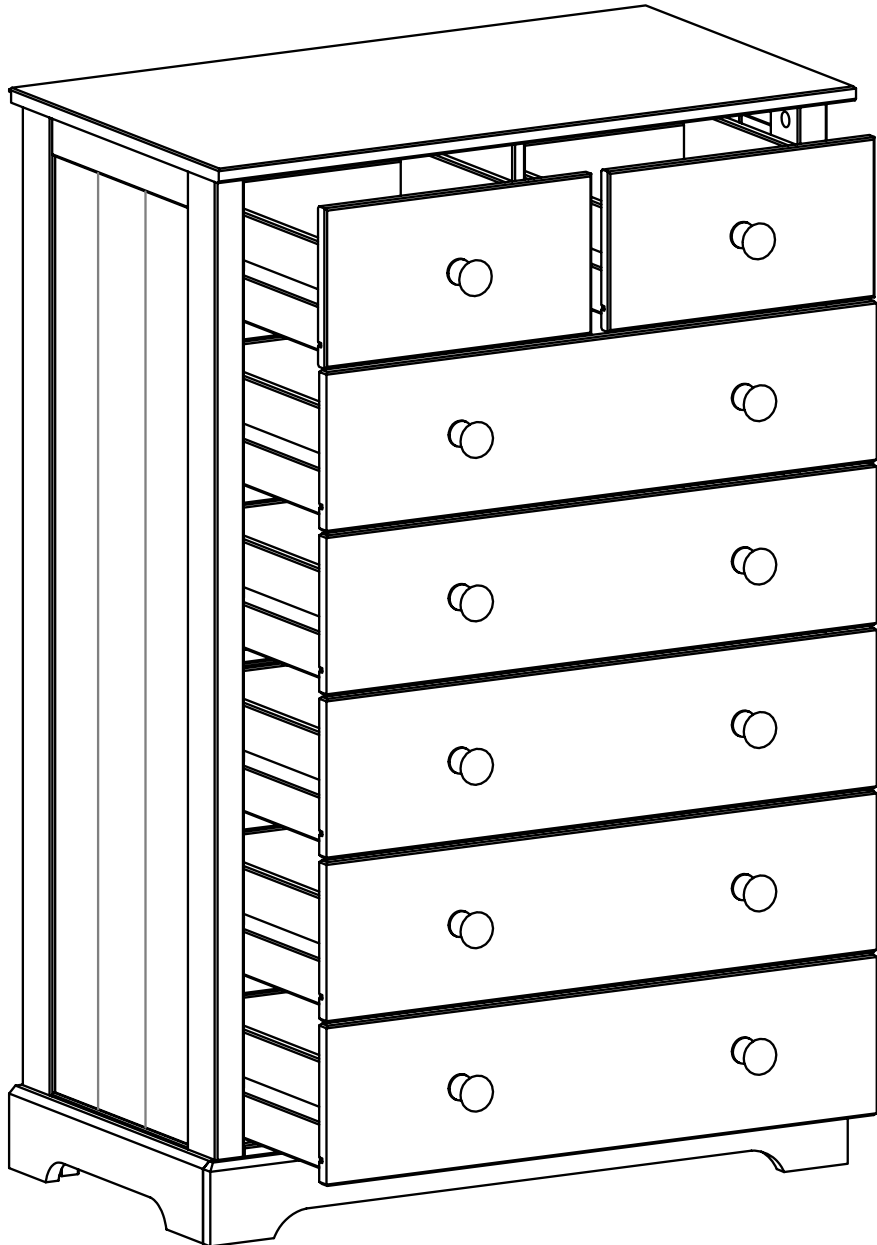
24. Mounting the knobs to the drawer front.

Fix the knobs "K" to the large drawer front "12" using screws "E".



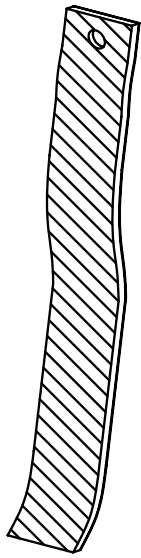
25. Adding the drawers to the carcass.

Slide the drawers onto the wood runners.



26. Fixing the wall strap to the wardrobe (anti-topple).

! Please purchase this screw from your local specialised dealer.



N
1 pcs.



Q
1 pcs.



P
1 pcs.

