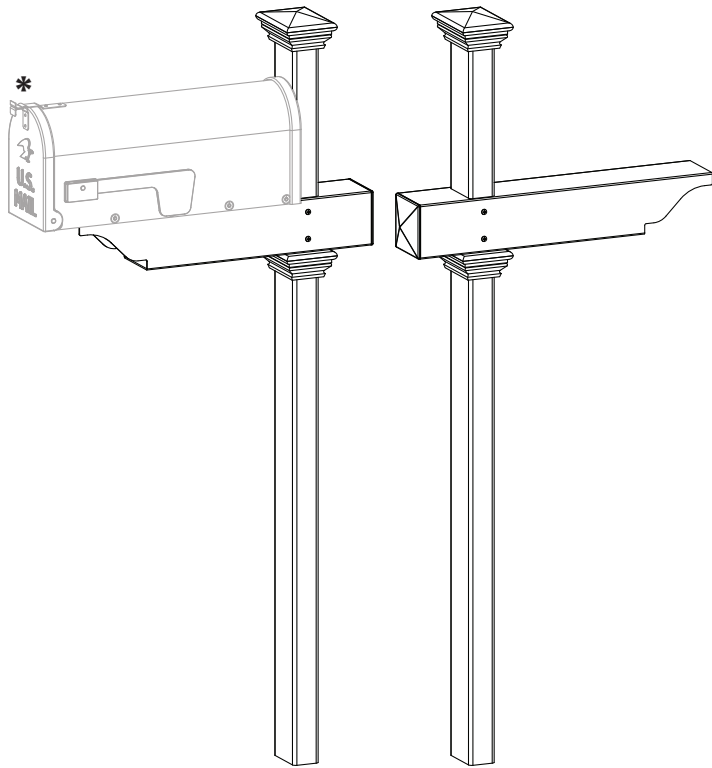


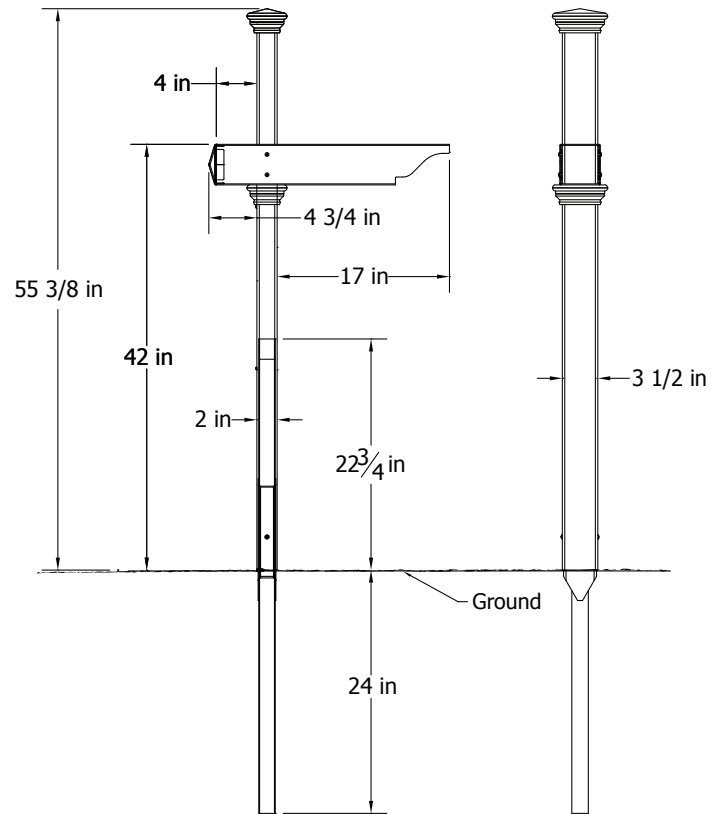
ASSEMBLY INSTRUCTIONS



Rockport Vinyl Mailbox Post with No-Dig Steel Pipe Anchor Kit



*) Mailbox and mounting hardware not included



Please read through before starting assembly.

IMPORTANT: CHECK THE INSIDE OF THE LARGER PIECES IN YOUR BOX FOR OTHER MATERIALS PACKED INSIDE.

Check Box for These Contents

In the event of missing or defective parts please call our customer service department at **1 877 234 6196** (Mon. to Fri. 8:00 AM to 4:00 PM EST).

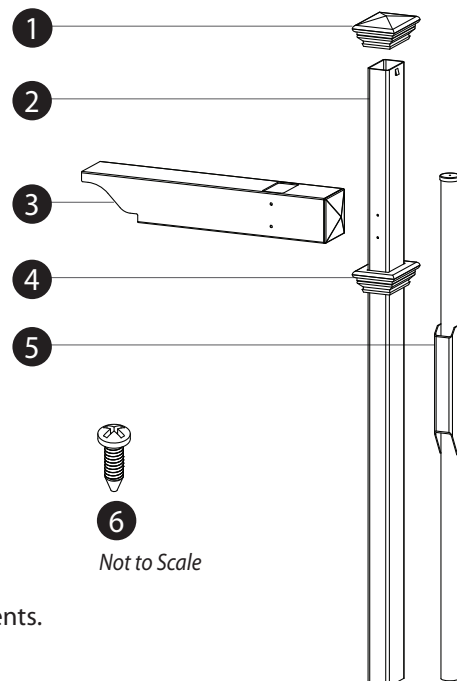
1. Post Cap (1)
2. Post (1) - 2" x 3 1/2" x 57"
3. Post Arm (1) - 4" x 4" x 23"
4. Post Trim Cap (1)
5. Anchor Pipe (1) - 46 3/4"
6. 1/2" Self-Auguring Stainless Steel Screw (7)

Tools You Will Need

- Cordless Drill
- Level
- Hammer

General Information

- **Read Instructions through carefully before beginning assembly.**
- When assembling components, place on a non-abrasive surface (i.e. shipping box) to avoid scratching.
- We recommend an area approx 5' x 8' for unobstructed assembling.
- You should not need to use excessive force when assembling components.



STEP ONE

Assemble Mailbox Post & Arm

1

Slide the arm up the post from the bottom as illustrated. Orientate correctly to receive newspaper.

2

Align screw holes in arm with screw holes in post and secure with 2 screws on either side of the post.

Tip!

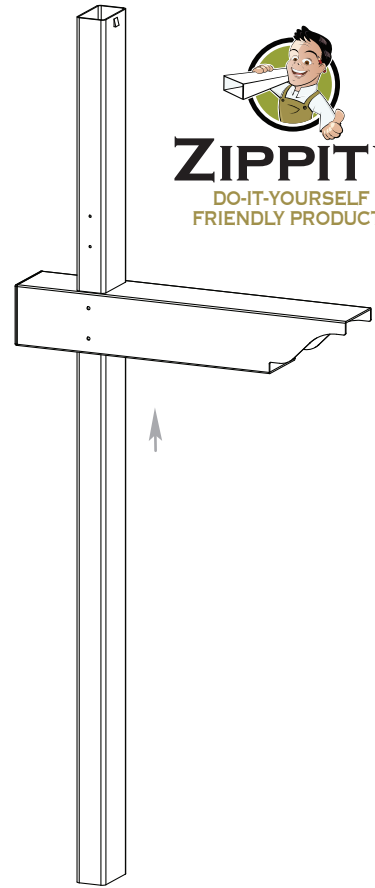
Shine an LED light from a smart phone or a flashlight down the end of the post to help identify alignment of pre-drilled holes if necessary

3

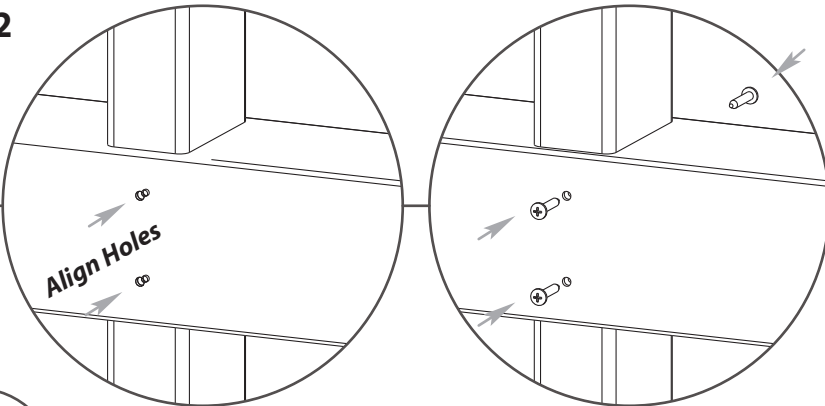
Slide trim cap into position under arm as illustrated.

4

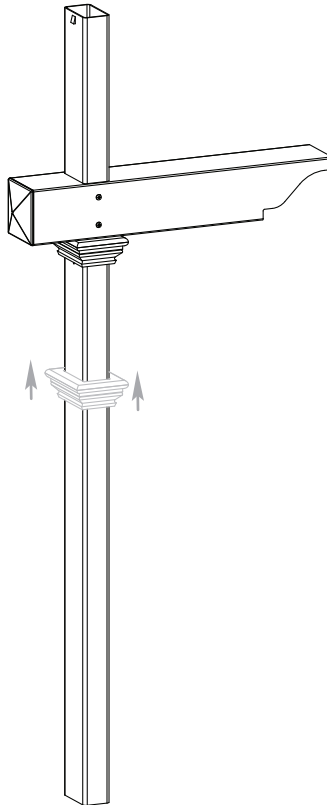
Install a screw as illustrated beneath trim cap. This will prevent trim cap from sliding down the post.



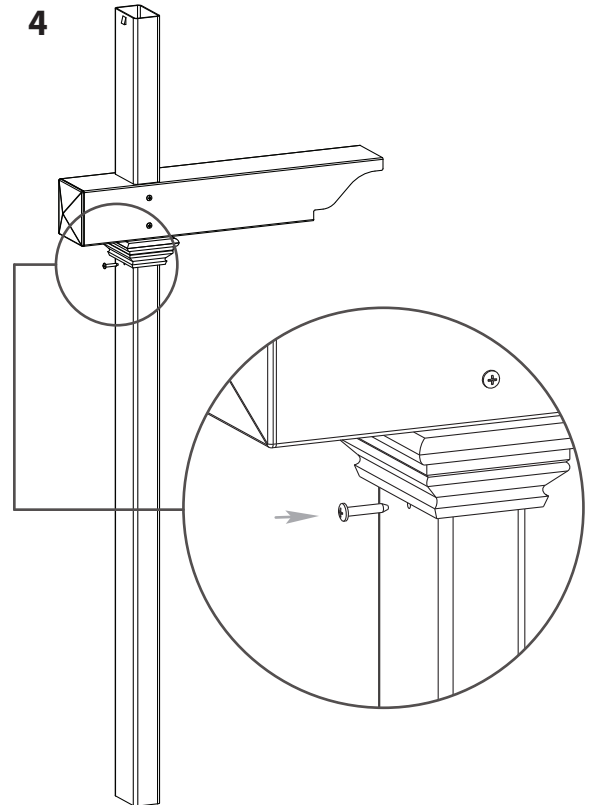
2



3



4



STEP TWO

Install Pipe

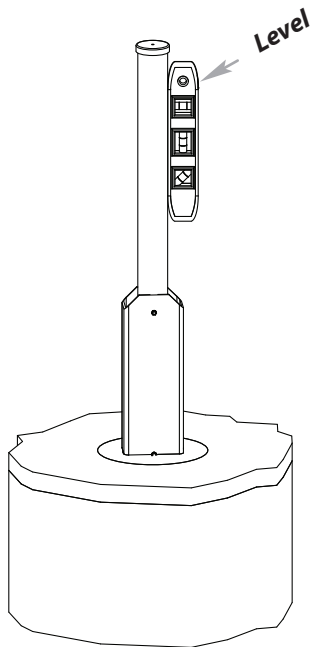
1

Using a sledge hammer, drive the pipe into the ground until the bottom of the sleeve is just below the ground. This is the maximum depth. If your ground is too hard, just drive the pipe until it feels secure in the ground. In some ground conditions, this could be as little as 18".

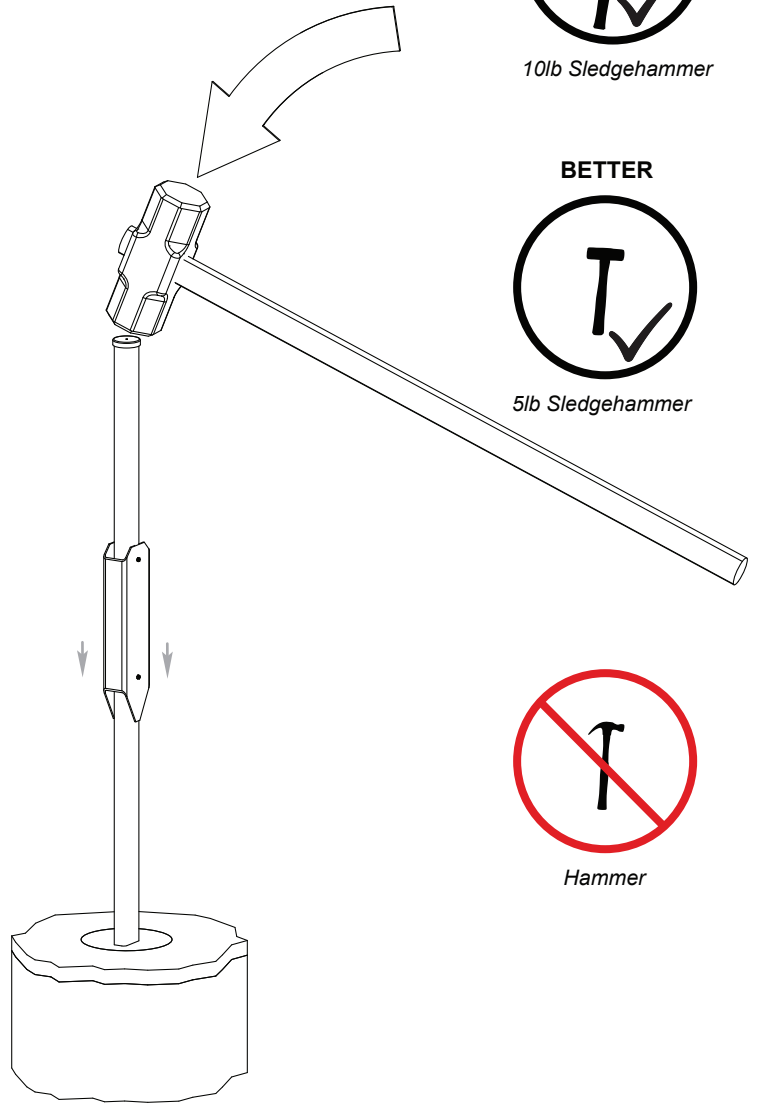
2

Please check level in both directions at about 12" intervals as you pound the pipe into the ground. Usually, after the pipe is about 18" into the ground, the trajectory of the pipe is established and you cannot pull the pipe back into level.

2



1

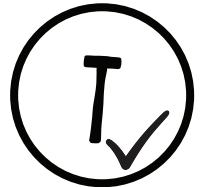


BEST



10lb Sledgehammer

BETTER



5lb Sledgehammer



Hammer



STEP TWO

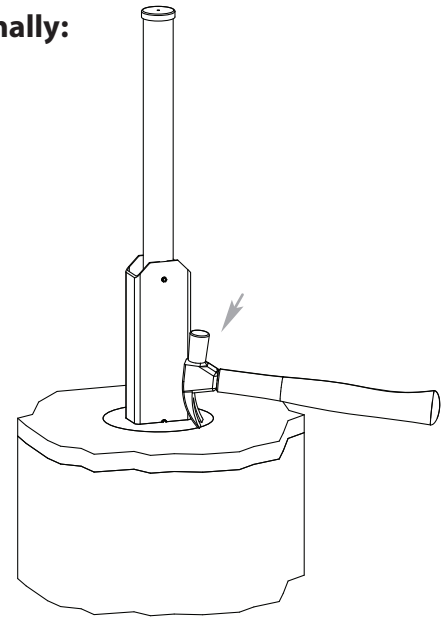
Install Pipe (Continued)

Optionally:

If your ground is dry and hard, use a claw hammer to loosen 1" or 2" of dirt around the base of the vinyl sleeve as illustrated.

This will allow the external vinyl post to easily insert itself into the the ground in step 2 below.

Optionally:



STEP THREE

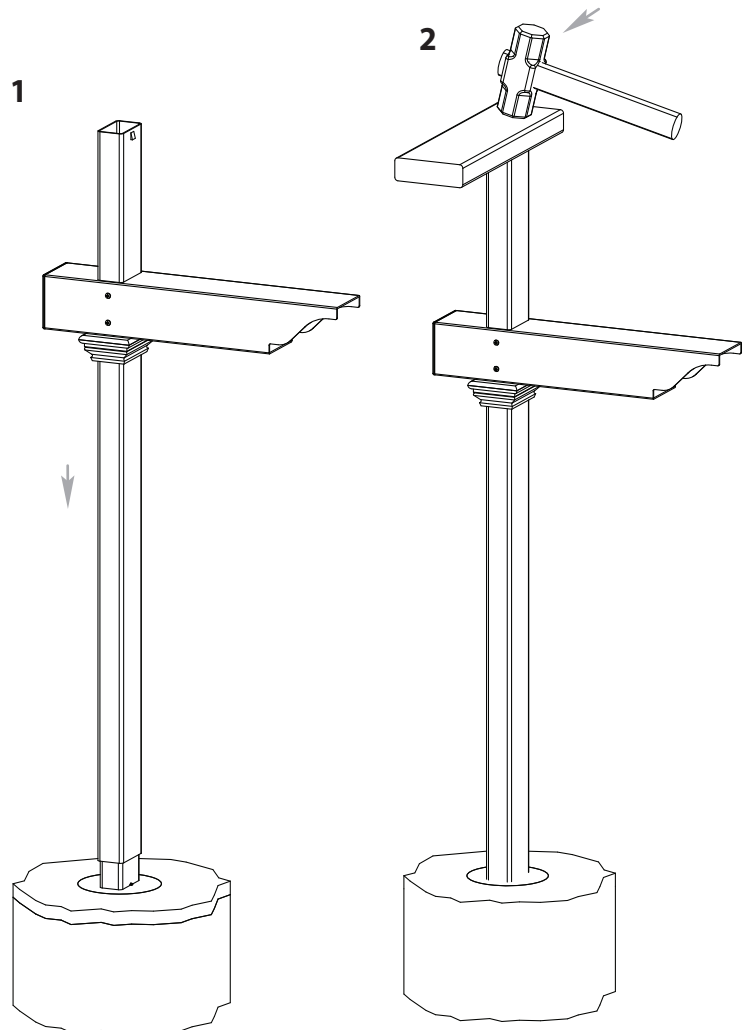
Install Mailbox over Pipe

1

Orient vinyl post correctly with tabs at top and slide the assembled mailbox over the pipe and sleeve and down to the ground.

2

Using a wood block (or something to protect the top of the vinyl extrusion), pound down the post until the bottom is 1" to 2" below the ground.



STEP THREE

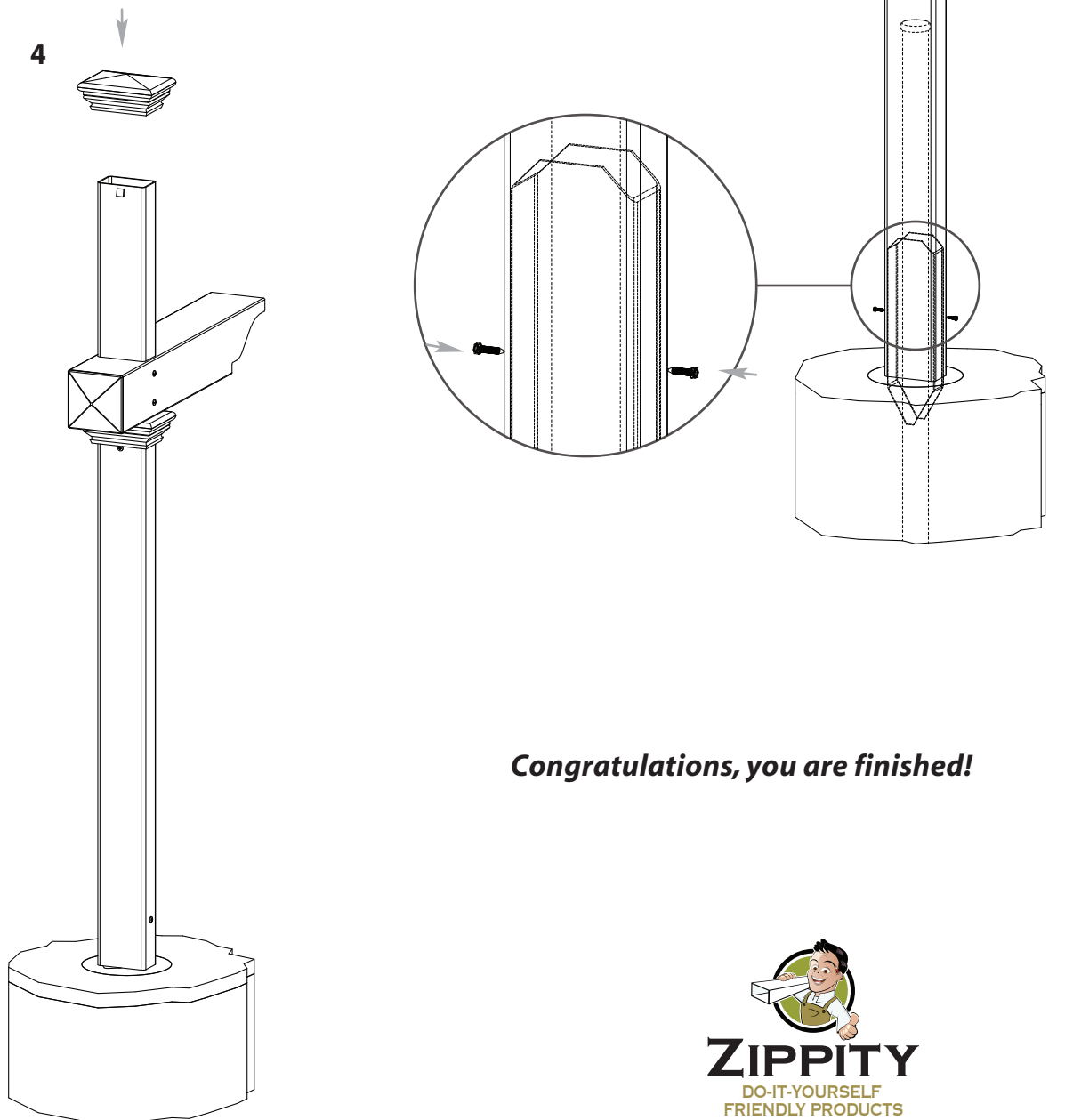
Install Mailbox over Pipe (Continued)

3

Use two screws to secure the outside post to the inner plastic sleeve as illustrated.

4

Install top post cap. Push down on cap to lock it to vinyl post.



Congratulations, you are finished!

