

KVF21 & KVF22 Stainless Steel Flush Mount Sinks

Installation

Installation

Before Installation

Thoroughly check the sink and any fittings for signs of transport (or other) damage. Please note: After fitting, sinks cannot be returned for credit or replacement.

Offer up the sink to the worktop and/or the cabinets to confirm that the external dimensions of the bowls are compatible with the cabinets themselves.

Confirm that with the sink in position:

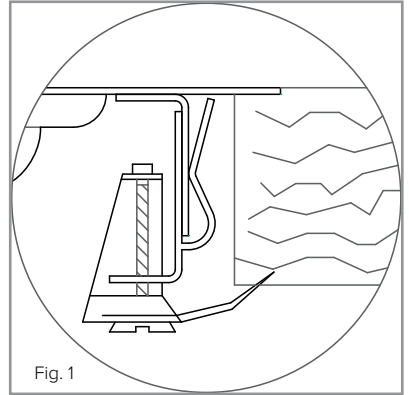
- There is adequate space to install any taps or other required accessories.
- There is adequate space to install the waste pipe work and that any necessary modification to internal shelves to accommodate the waste (and trap) is acceptable.
- Access to any water stop-cock or other services will still be adequate after the installation.

Installation

- Refer to the cut-out sizes on the back of this manual and use them to mark out where the worktop needs to be cut. Double-check the dimensions before cutting the worktop aperture.
- After cutting out the worktop aperture, we recommend you seal the cut edges with silicone (or similar) sealant to help prevent ingress of water.
- It is often easier to mount the taps, waste-fitting and overflow onto the sink prior to fitting the sink to the worktop.
- The edges of the sink should be bedded onto a bead of silicone (or similar) sealant, to create a barrier to the ingress of water and

other items between sink and worktop.

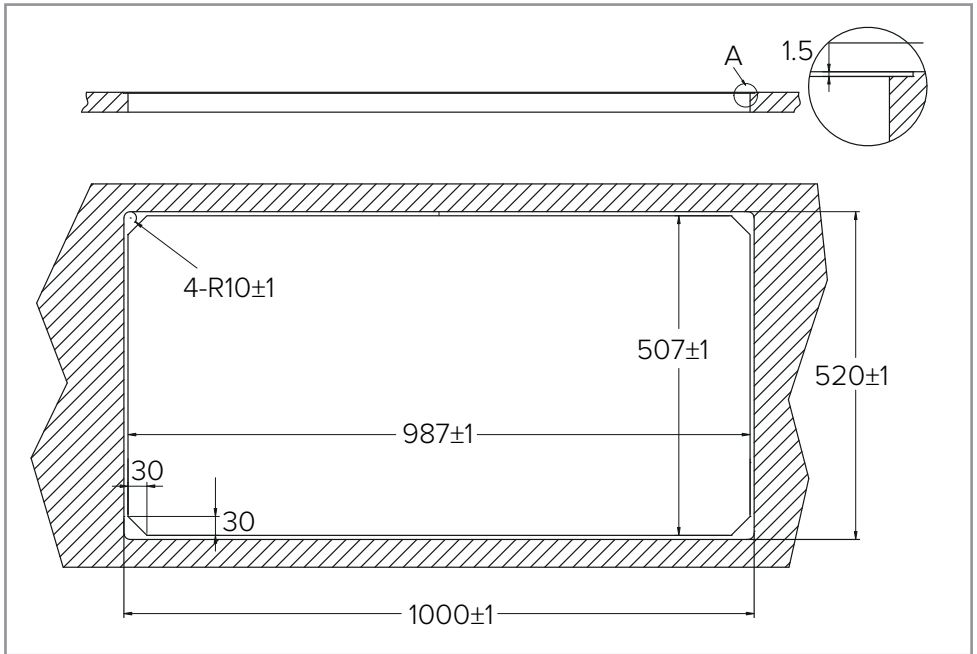
- After positioning the sink on the worktop, position the fixing brackets as shown in Fig. 1, then tighten their screws.
- **Do not use a power tool to tighten the screws; by using a hand tool it is easier to ensure that they are tightened just enough to clamp down on the worktop and no more.**
- After fixing, ensure the sealant forms a continuous bead to prevent water ingress.
- Remove any excess sealant using an appropriate method as recommended by the sealant manufacturer.
- The taps, waste-fitting and overflow can now be mounted onto the sink (if not already done) and fully connected to their respective services.
- To check the waste for leaks, close the plug/basket of the waste fitting, open the tap and fill the sink to the level of the overflow; turn off the tap and wait several minutes to verify that the water doesn't drain away.
- Empty the sink.



After fitting, ensure that the enclosed “Stainless Steel Sinks Use and Maintenance” guide is retained for the customer and/or user of the sink.

E & O E. All instructions, dimensions and illustrations are provided for guidance only. CDA reserve the right to change specifications without prior notice.

Cut-Out Dimensions



Please contact our **Customer Care Department** for Service on the details below

Customer Care Department

The ICDAI Group Ltd. • Harby Road • Langar • Nottinghamshire • NG13 9HY

T : 01949 862 012 F : 01949 862 003 E : customer.care@cda.eu