

TH100 Three in One Instant Hot Water Tap

Installation, Use and Maintenance

The logo for CDA, consisting of the letters 'C', 'D', and 'A' in a bold, red, sans-serif font, each letter enclosed in a thin white vertical line, all set against a black rectangular background.

Safety Instructions

The appliance is not intended for use by persons (including children) with reduced physical, sensory or mental capabilities, or lack of experience and knowledge, unless they have been given supervision or instruction concerning use of the appliance by a person responsible for their safety.

Children should be supervised to ensure that they do not play with the appliance.

Do not wash your hair, babies, children or pets in any sink within reach of this appliance. Knocking the boiling water lever could cause scalding by uncontrolled release of boiling water.

Cleaning and user maintenance shall not be made by children without supervision.

Never immerse the appliance in water.

This is a household appliance only. It is not intended to be used in:

- Staff kitchen areas in shops, offices and other working environments;
- Farm houses;
- By clients in hotels, motels and other residential type environments;
- Bed and breakfast type environments.

If the plug or power cable is damaged, it must only be replaced by CDA authorised personnel, to avoid all risk.

This appliance can be used by children aged from 8 years and above if they have been given supervision or instruction concerning use of the appliance in a safe way and if they understand the hazard involved. Cleaning and user maintenance shall not be made by children unless they are older than 8 and supervised. Keep the appliance and its cord out of the reach of children aged less than 8 years.

Appliances can be used by persons with reduced physical, sensory or mental capabilities or lack of experience and knowledge if they have been given supervision or instruction concerning use of the appliance in a safe way and understand the hazards involved.

Children shall not play with the appliance.

When not in use and before cleaning, always unplug the appliance.

Important Notes:

This appliance is designed solely to dispense hot and cold water, also to produce and dispense near-boiling water. Other types of use are not permitted and may prove dangerous. The CDA Group Ltd will not be held liable for any damage caused by incorrect use of the appliance.

- Read the user instructions carefully before using the appliance for the first time.
- To protect against fire, electrical shock and injury to persons, do not immerse cord or plugs in water or other liquid.
- The use of accessory attachments not recommended by The CDA Group Ltd may result in fire, electric shock or injury.

-
- Never touch the under-counter parts of the appliance with damp hands.
 - Never touch the plug with damp hands.
 - Make sure the socket used is freely accessible at all times, enabling the appliance to be unplugged when necessary.
 - Unplug directly from the plug only. Never pull the power cable as you could damage it.
 - If the appliance is faulty, do not attempt to repair it; unplug from the mains electric socket and contact the dedicated hot tap Customer Care line (details on back cover).
 - Keep all packaging (plastic bags, polystyrene foam) away from children.
 - This appliance produces very hot water; steam may form while it is in operation. Avoid contact with splashes of hot water or hot steam. Use knobs and handles.
 - Do not rest vessels containing liquids, inflammable or corrosive materials on top of any part of the appliance.
 - Do not rest large or unstable objects on any part of the appliance.

Important

The CDA Group Ltd cannot be held responsible for injuries or losses caused by incorrect use or installation of this product. Please note that CDA reserve the right to invalidate the guarantee supplied with this product following incorrect installation or misuse of the appliance.

The guarantee may become void in the event of the water filter not being replaced at the required six month intervals.

Under no circumstances should any external covers be removed for servicing or maintenance except by suitably qualified personnel.

Appliance information:

Please enter the details on the appliance rating plate below for reference when registering this appliance with CDA Customer Care. This will also be useful in the event of a fault with your appliance when it is necessary to contact the dedicated hot tap Customer Care line (details on back cover) for support and/or guarantee purposes.

Appliance Model	
-----------------	--

Serial Number	
---------------	--


CE Declarations of Conformity:

This appliance has been designed, constructed and marketed in compliance with safety requirements of EEC Directive 2006/95/EEC (Low voltage) and requirements of EMC Directive 2004/108/EEC.

This appliance has been manufactured to the strictest standards and complies with all applicable legislation, including Electrical safety (LVD) and Electromagnetic interference compatibility (EMC). Parts intended to come into contact with food conform to EEC/89/109.4.

IMPORTANT INFORMATION FOR CORRECT DISPOSAL OF THE PRODUCT IN ACCORDANCE WITH EC DIRECTIVE 2002/96/EC.

At the end of its working life, the product must not be disposed of as urban waste. It must be taken to a special local authority differentiated waste collection centre or to a dealer providing this service.

Disposing of a household appliance separately avoids possible negative consequences for the environment and health deriving from inappropriate disposal and enables the constituent materials to be recovered to obtain significant savings in energy and resources. As a reminder of the need to dispose of household appliances separately, the product is marked with a crossed-out wheeled dustbin. 

Using Your 3 in 1 Instant Hot Water Tap

Control Panel

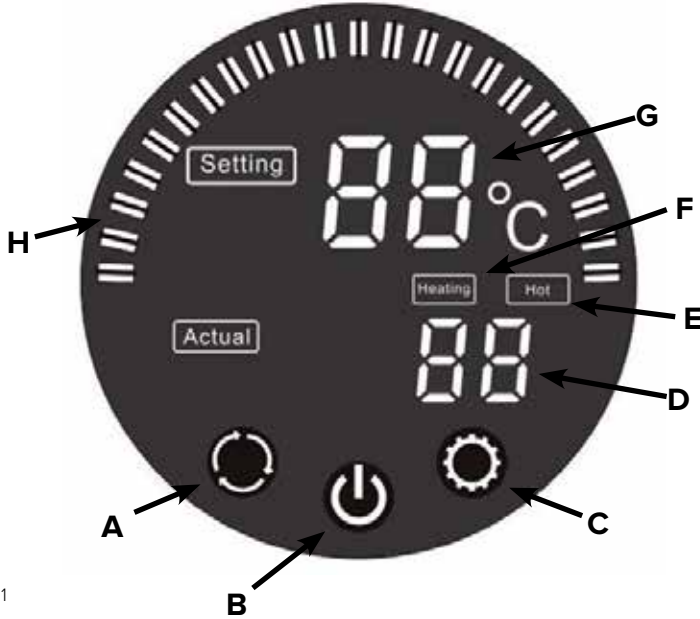


Fig. 1

- A:** Confirm key
- B:** On/Off key
- C:** Temperature key
- D:** Actual temperature indicator
- E:** Hot indicator
- F:** Heating indicator
- G:** Set temperature indicator
- H:** Heating display

To switch the instant hot water heater on or off

Touch the “On/Off” key (B) once to switch the water heater on.

Touch the “On/Off” key (B) once again at any time to switch the water heater off

To set the water temperature

Touch the “Temperature” key (C) several times to scroll through the available temperatures. When the “Set temperature” indicator (G) shows the temperature you want, touch the “Confirm” key (A) once to confirm this setting. If the “Confirm” key (A) is not touched within five seconds the temperature setting will revert back to its previous level.

Note:

- At all times, the “Actual temperature” indicator (D) shows the actual temperature of the water in the reservoir/heater unit.
- When the water is heating the “Heating” indicator (F) will illuminate and the “Heating” display (H) will animate.
- When the water in the reservoir/heater unit is at the set temperature the “Hot” indicator (E) will illuminate and the “Heating” display (H) will illuminate constantly
- **If the “Set temperature” indicator flashes “99” this means that the heater is energised but there is insufficient water in the tank. Touch the “On/Off” key (B) to switch off the water heater, then prime the tank (refer to “priming the installation” in the installation section below).**

Care and Maintenance

IMPORTANT: DO NOT PERFORM MAINTENANCE OR CLEANING OF THE RESERVOIR/HEATER UNIT WITHOUT FIRST SWITCHING OFF THE ELECTRICITY SUPPLY.

Cleaning

You should use a non-abrasive cleaner. Any abrasive cleaner (including Cif) will scratch the surface and could erase the control panel markings.

You can clean the exterior of your reservoir/heater unit effectively by simply using a cloth dampened in a dilute solution of water and mild detergent then drying with a clean cloth, for example the CDA E-Cloth.

Troubleshooting

Below is a list of some of the possible malfunctions.

If the problem cannot be resolved as described, contact the dedicated hot tap Customer Care line (details on back cover).

Problem	Possible Cause	Remedy
“Set temperature” indicator flashes “99”.	Insufficient water in the tank.	Prime the installation as described in the installation instructions below.
Water and Steam is spitting from the instant hot water tap spout.	Unit is boiling.	Turn the instant hot water tap handle on and release the water. Adjust the water temperature on the display to a lower setting.
Water is not hot.	The electronic instant hot water appliance is unplugged. There has been a power cut. The electronic unit has not been powered up.	Make sure the 3 in 1 instant hot water appliance is plugged in and connected to an earthed electricity outlet. Make sure that the circuit breaker and fuse are working correctly. Reset the temperature then press the confirm key (see page 8). Turn on the power and touch the on/off button, then set the required temperature and confirm the boiler heats up.
Water is too hot.	Water temperature setting on display panel is set too high.	Set the temperature to the required level and confirm the boiler heats up.

Problem	Possible Cause	Remedy
Water drips from the 3 in 1 instant hot water tap spout.	<p>The expansion chamber isn't draining the system correctly due to very small draw off of water.</p> <p>The spout is blocked.</p>	<p>Draw off 0.5L of water to clear and prime the system. Avoid drawing off less than 150mL of water at a time.</p> <p>Remove and clean the aerator on the tap.</p>
Slow flow from the spout.	The water filter may be clogged from impurities in the inlet mains water.	The water filter must be changed every 6 months. Failure to do this will void the guarantee.
Water does not flow immediately.	The 3 in 1 instant hot water tap is design for non-pressurised operation so there will be slight delay before the near boiling water starts to flow.	This is not a fault. Note that after a large volume of water has been drawn off there may a slightly longer delay in the water appearing from the instant hot water spout.
No water flows.	<p>Water Valves have been turned off.</p> <p>Inlet Pipes have become twisted or blocked.</p>	<p>Turn on all the water valves</p> <p>Ensure the pipes are not twisted or kinked and restricting flow.</p> <p>Remove and clean the aerator.</p>

Installation

It is the installer's responsibility to ensure that your 3 in 1 instant hot water tap is fitted in accordance with all prevailing national standards and local water byelaws.

It is important to ensure that the plumbing part of the installation is completed and has been tested to ensure it is free of leaks, before any electrical connection is made to the unit.

Do not install the appliance in rooms where the temperature may drop to 0°C or lower.

If the tap or reservoir/heater unit has been stored prior to installation in a place where the temperature could have fallen below 0°C they should be allowed to acclimatise at room temperature for a minimum of one hour prior to connection to a water supply.

Preparation for installation

- Before installing the 3 in 1 instant hot water tap it is essential to thoroughly flush through the supply pipes in order to remove any remaining solder, swarf or impurities from your system. Failure to carry out this simple procedure could cause problems or damage to the workings of the 3 in 1 instant hot water tap.
- We strongly recommend installing particle filter strainers and isolation valves to both the hot and cold feed pipes in an accessible position. This will help to prevent premature failure and ease any future maintenance.

- All parts should be removed from their packaging and inspected for any transport damage prior to installation.
- Shut off your water heating system and ensure that your mains stopcock is closed. Open the lowest hot and cold taps in the house and allow the water to run until the cold water storage tank and pipes are fully empty. Please note, the hot water storage cylinder (if applicable) will always remain full.
- This hot water tap requires a 35mm diameter tap hole; if replacing an existing tap, remove the old tap & clean the ends of the feed pipes using wire wool; the tap hole area should also be free from dirt and sealant.

Fitting the tap outlet

- Loosely position the tap and tail pipes to check if any alteration to the existing pipework is required, if this is the case do this now.
- Connect the cold and hot tap inlet hoses of the tap to the water supply as any standard mixer tap. Note that these are ½”BSP fittings and are identified by blue and red ties around them.
 - Fit a pressure reducing valve to the cold mains inlet if the mains pressure is above 5Bar, tighten in the conventional way then check the complete installation for leaks.

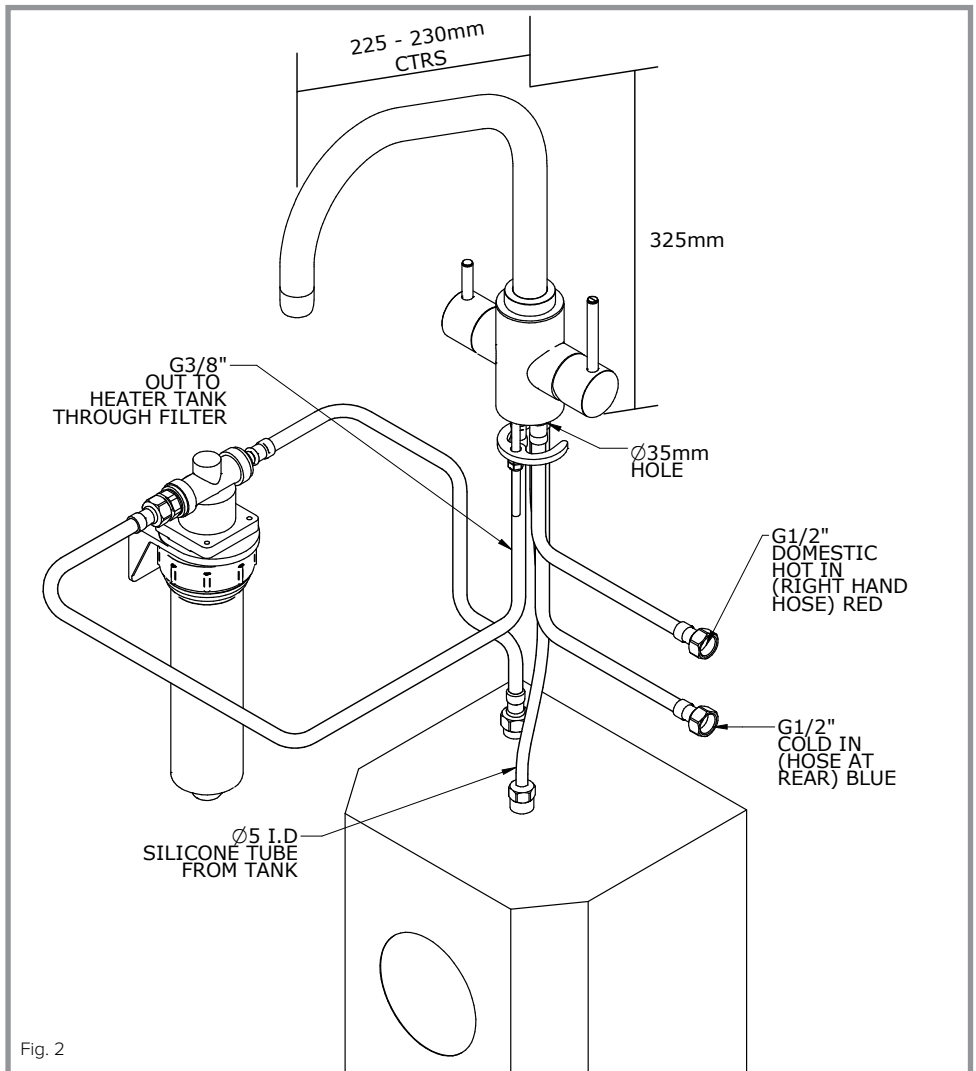
Positioning the reservoir/heater unit & the filter

- The reservoir/heater unit should be positioned on a flat level surface such that:
 - There is a minimum air-space of 150mm to each side of the reservoir/heater unit.
 - There is a minimum air-space of 25mm to the rear of the reservoir/heater unit.

- Access to any stopcocks, valves, waste traps or other plumbing fittings that may require service is not impeded.
- The front display and operating controls are readily accessible and visible.
- All connection pipes can be installed without stretching or twisting of them.
- Access to the electric power socket to be used for this appliance is not restricted in any way.
- There is a fused 13A power supply within reach of the power cable, with that cable supported for its full length and not stretched. If it is necessary to extend the power cable to reach the nearest suitable socket this must be done by a competent electrician or CDA approved technician.
- The filter is supplied pre-assembled to its black plastic wall bracket. This should be mounted in a convenient location on a wall or cabinet side, taking into consideration the length and routing of the connecting hoses.

Plumbing the reservoir/heater unit & filter

- Screw the supplied $\frac{3}{8}$ " BSP barbed connector onto the hot water outlet on top of the reservoir/heater unit (this is the connection with the red collar).
- Push the trailing silicone hose from the tap itself firmly onto the barbed connector (which was fitted to the filter in the previous step) and fit the supplied retaining clip. **NOTE: Ensure the hose is pushed fully home on the barbs.**



- Connect the remaining (longest) braided hose from the tap itself onto the threaded inlet on the filter.
- Screw the 3/8" BSP fitting end of the braided hose that is pre-assembled onto the filter onto the cold water inlet of the reservoir/heater unit (this is the connection with the blue collar), ensuring that the seal is correctly located.

-
- Ensure all connections are securely tightened, that hoses are not stretched or kinked and that all hoses are safely supported, before turning on the water supply.

Priming the installation

- Open all installed water valves to allow water to flow to the 3 in 1 instant hot water tap.
- Turn the spring-back hot water tap handle against its spring and hold there for approx. 90 seconds to prime the reservoir.
- When the reservoir is full, water will flow from the 3 in 1 instant hot water tap spout.
- Allow the hot water handle to spring back to its rest position then check all connections for water tightness and absence of leaks.
- Any leaking joint must be tightened and the surrounding area dried before connecting the power supply.

Only connect the electricity supply to the reservoir/heater unit at this stage: Insert the plug into its socket and switch on.

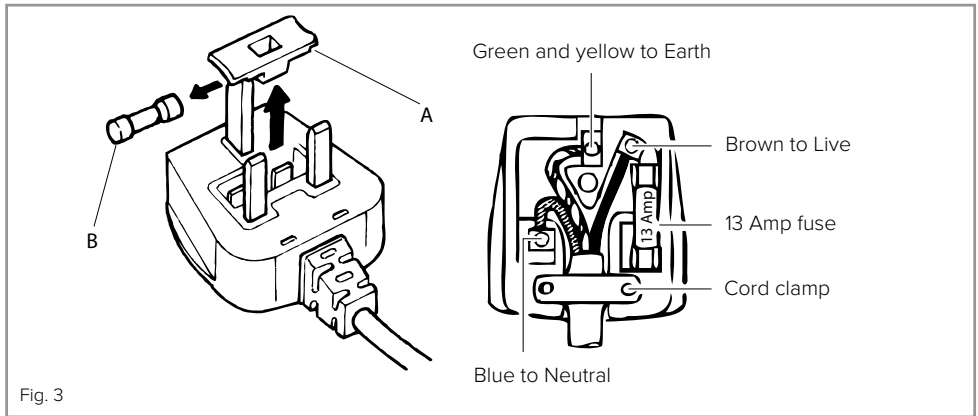
Technical Specification

Voltage:	220-240Vac 50Hz
Rated power:	1500W
Min pressure:	1Bar
Max pressure:	5Bar *
Water tank capacity:	2.4L

* Note: the 3 in 1 instant hot water tap may safely be run from a higher pressure cold water supply provided a suitable pressure reducing valve is fitted to the cold water supply pipe.

Electrical Information

Warning! This appliance must be earthed.



The mains lead of this appliance has been fitted with a BS 1363A 13Amp fused plug. To change a fuse in this type of plug, follow the steps below:

1. Remove the fuse cover and fuse.
2. Fit replacement 13A fuse, ASTA approved to BS 1362 type, into the fuse cover.
3. Replace fuse cover.

Important: Do not use the appliance without the fuse cover in position.

How to connect an alternative plug

If the fitted plug is not suitable for your socket outlet, then it should be cut off and disposed of safely to avoid possible shock hazard. A suitable alternative plug of at least 13 Amp rating to BS 1363 should be used.

As the colours of the wires in the mains lead of this appliance may not correspond with the coloured markings identifying the terminals in your plug, proceed as follows:-

- The wire which is coloured GREEN and YELLOW must be connected to the terminal which is marked with letter (E) or by the Earth symbol \perp or coloured GREEN and YELLOW.
- The wire which is coloured BLUE must be connected to the terminal which is marked with the letter (N) or coloured BLACK.
- The wire which is coloured BROWN must be connected to the terminal which is marked with the letter (L) or coloured RED.

If in doubt regarding the electrical connection of this appliance, consult a qualified electrician. Do not shorten the supply cable, the appliance may require removing for servicing.

N.B. Ensure that the plug socket is situated in an easily accessible place after installation.

Water Filter

The water filter should be replaced every six months or the guarantee may become invalidated.

Please contact the dedicated hot tap Customer Care line for **Service** on the details below

For after-sales advice: 01226 355017

For water filters: 01283 840545

