



euro style™

Assembly Instructions

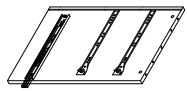
Gilbert File Cabinet

Required
for Assembly:

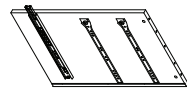


Phillips
Screwdriver

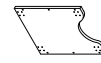
PLEASE NOTE: Check that you have received all components and hardware before assembling.
If you are missing any parts, contact your retailer or fax Euro Style at 415.455.8033.



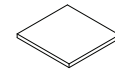
A x 1



B x 1

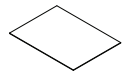


C x 1



D x 1

20"x16.5"x1.25"

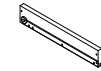


E x 1

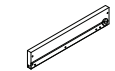
20"x15.5"x0.1"



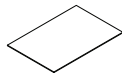
F x 2



G x 2



H x 2

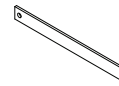


I x 2

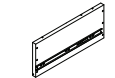
17"x13.5"x0.1"



J x 2



K x 2



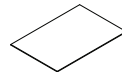
L x 1

17.75"x10"x0.5"



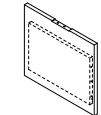
M x 1

17.75"x10"x0.5"

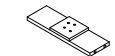


N x 1

17"x13.5"x0.1"



O x 1



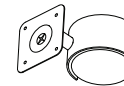
P x 1



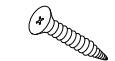
Q x 1



R x 3



S x 1



T x 4



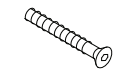
U x 4



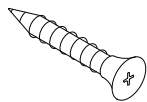
V x 4



W x 4

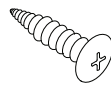


X x 6



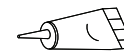
Y x 28

0.16"x1"



Z x 20

0.16"x0.5"



A1 x 1



B1 x 4

0.24"x1.2"



C1 x 10

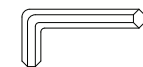
0.31"x1.2"



D1 x 2

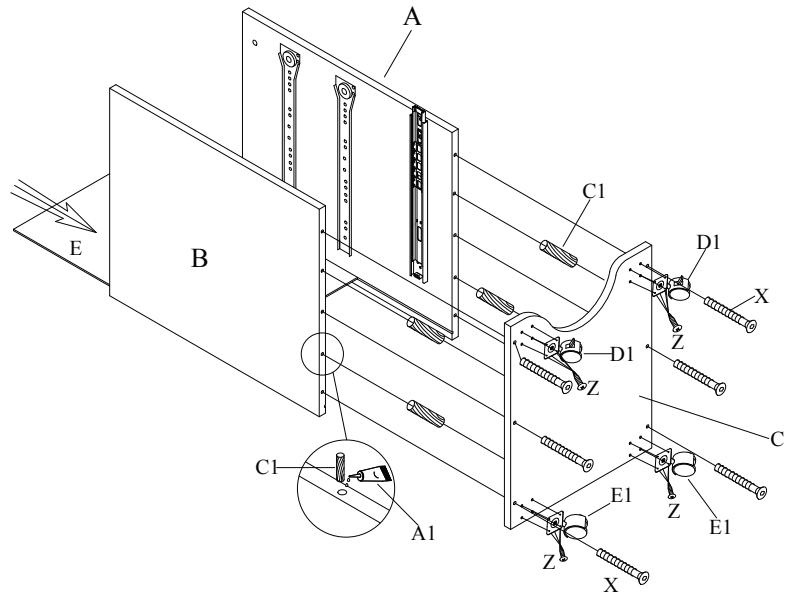


E1 x 2

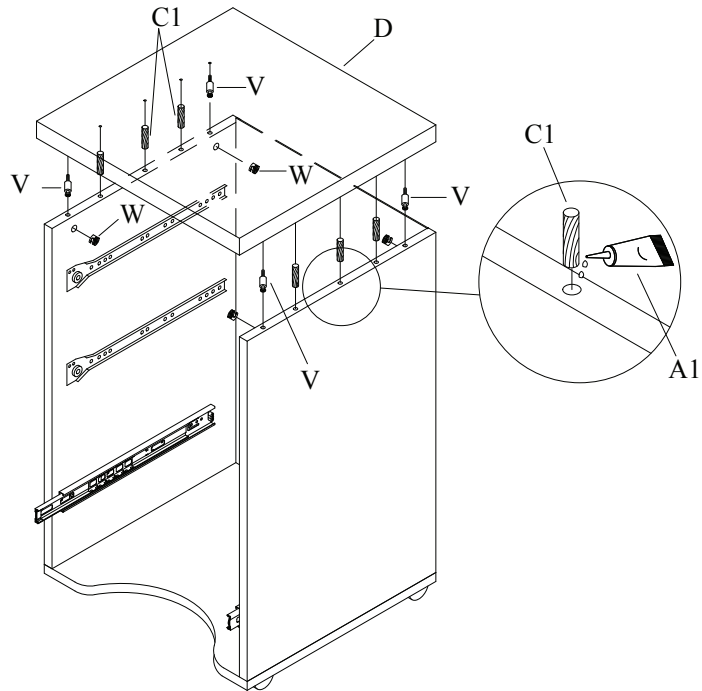


F1 x 1

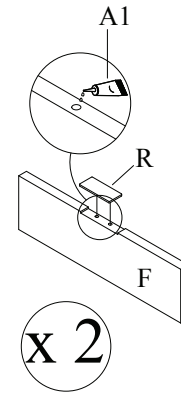
1



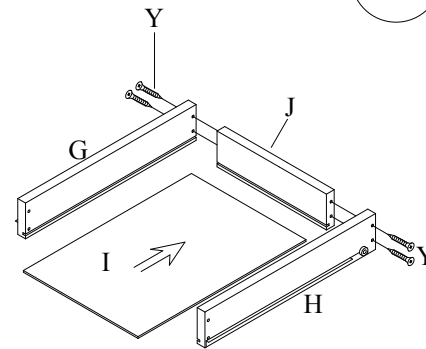
2



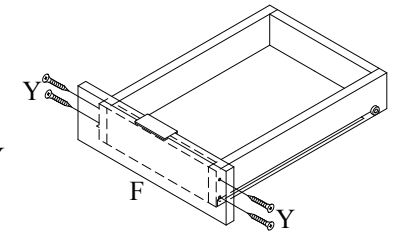
3



x 2

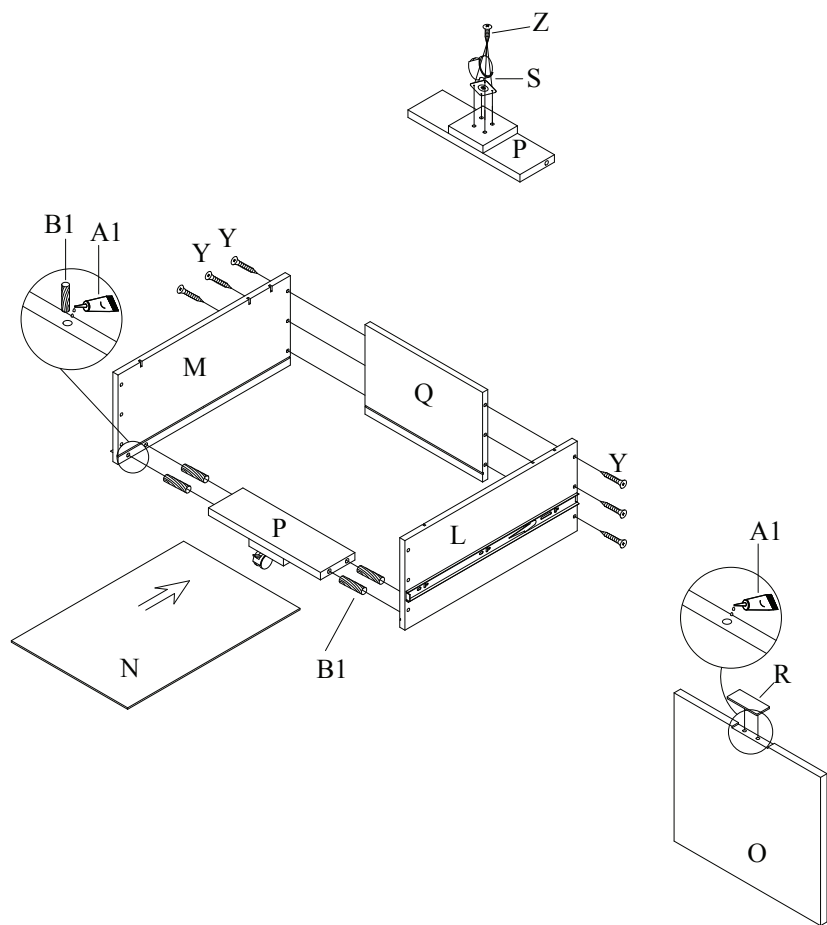


x 2

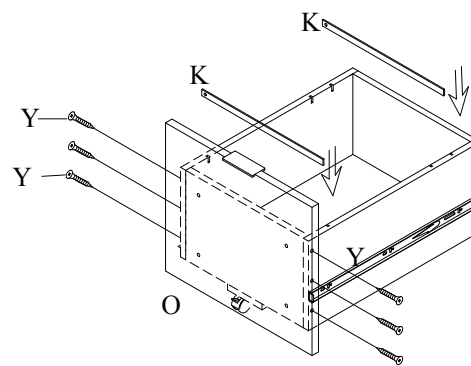


x 2

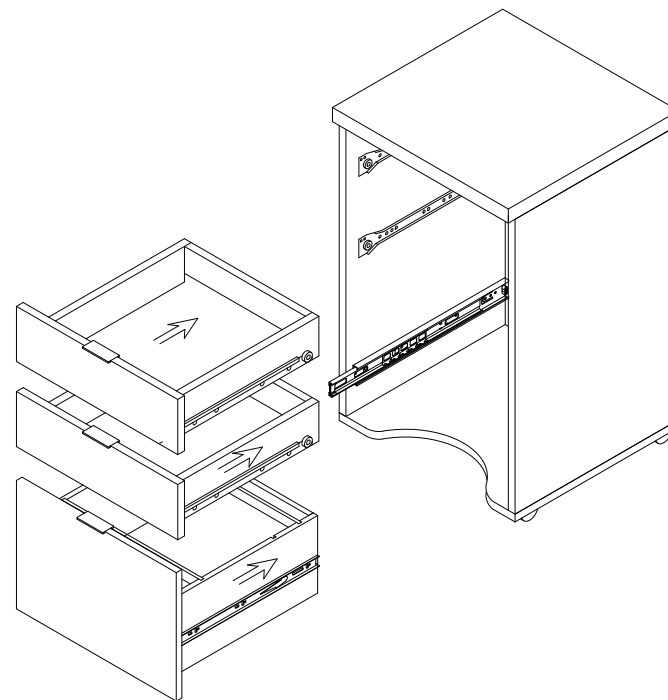
4



5



6



7

