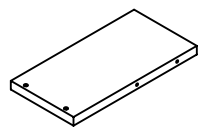
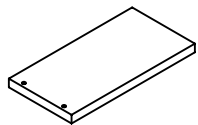


Assembly Instructions

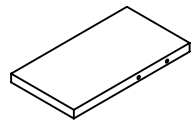
Robbie Shelving Unit (lacquer) Page 1 of 2



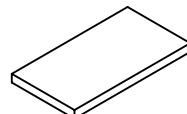
A (1 pc)



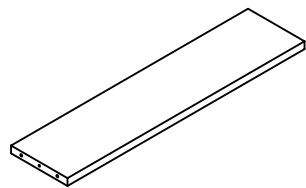
B (1 pc)



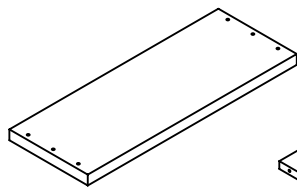
C (1 pc)



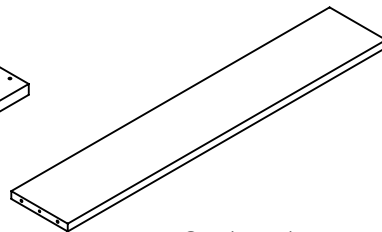
D (1 pc)



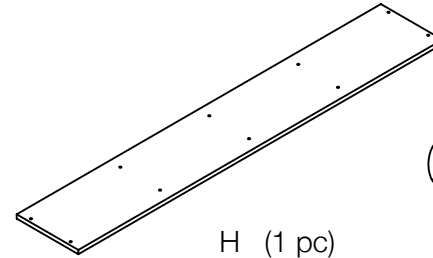
E (1 pc)



F (1 pc)



G (1 pc)



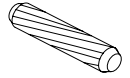
H (1 pc)



I (6 pcs)



J (10 pcs)



K (11 pcs)



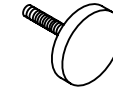
L (6 pcs)



M (16 pcs)



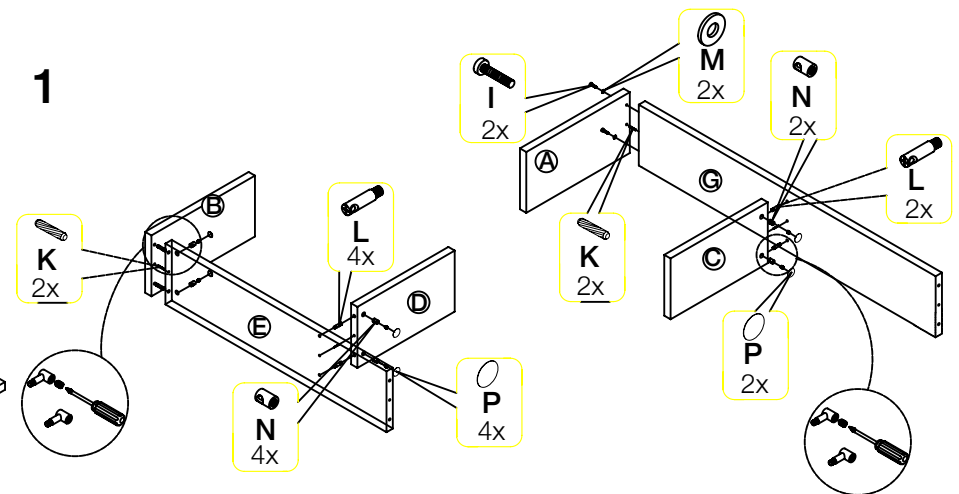
N (6 pcs)



O (4 pcs)



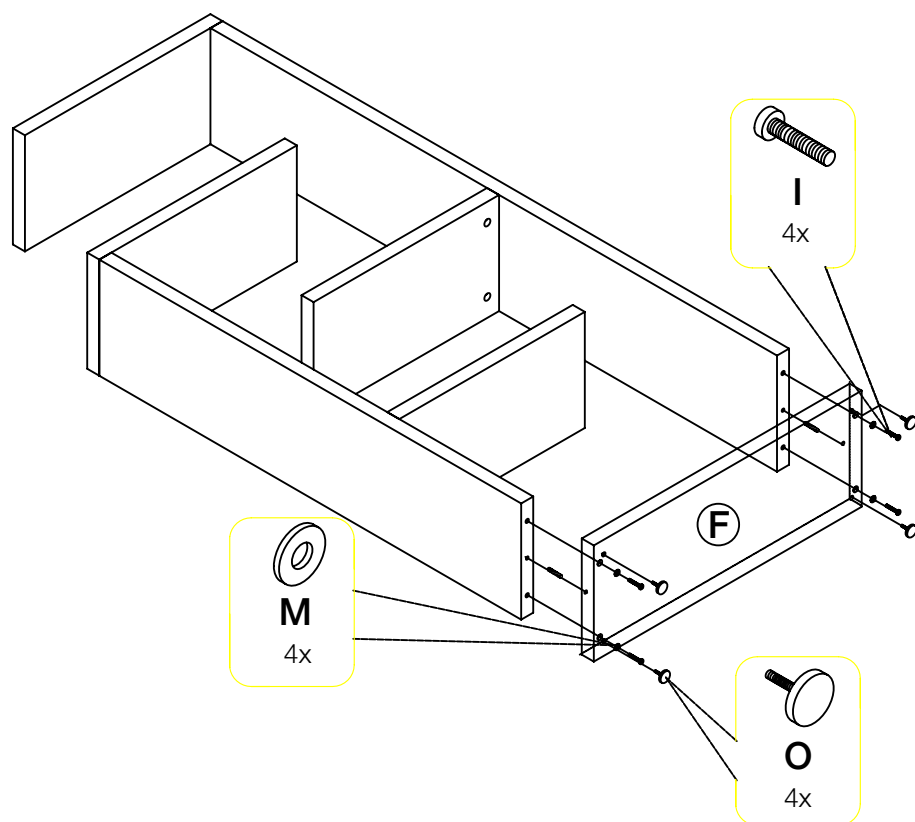
P (6 pcs)



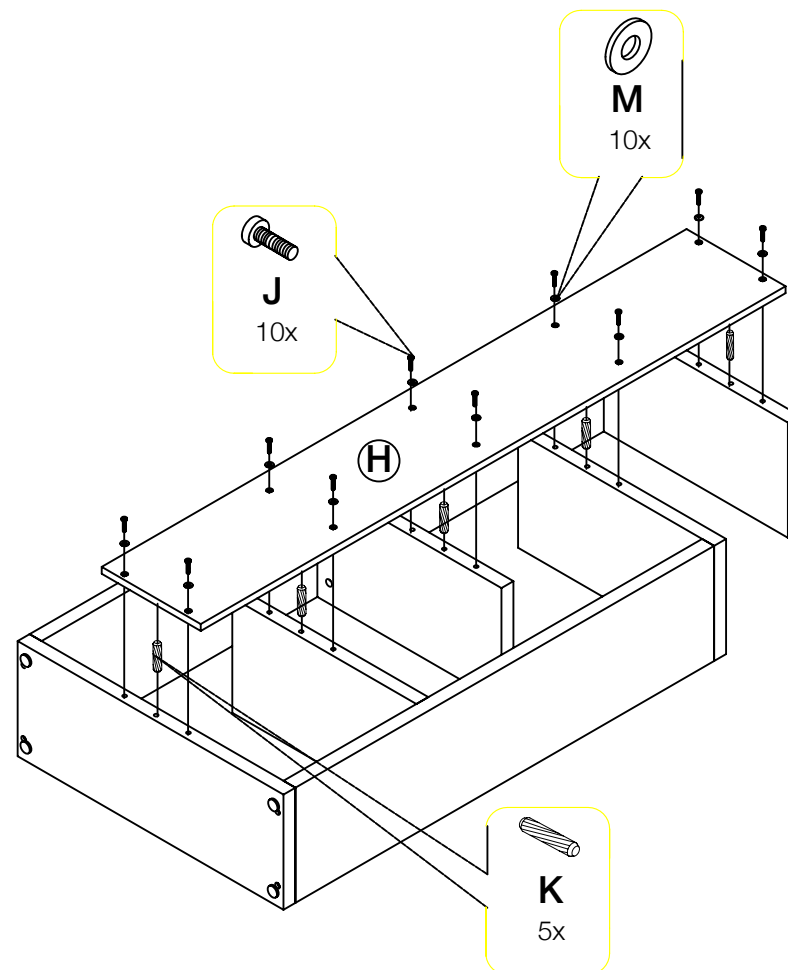
PLEASE NOTE: Check that you have received all components and hardware before assembling. If you are missing any parts, contact your retailer, or fax Euro Style at 415.455.8033.

During assembly, hand tighten screws only. When all screws are in place, then tighten completely.

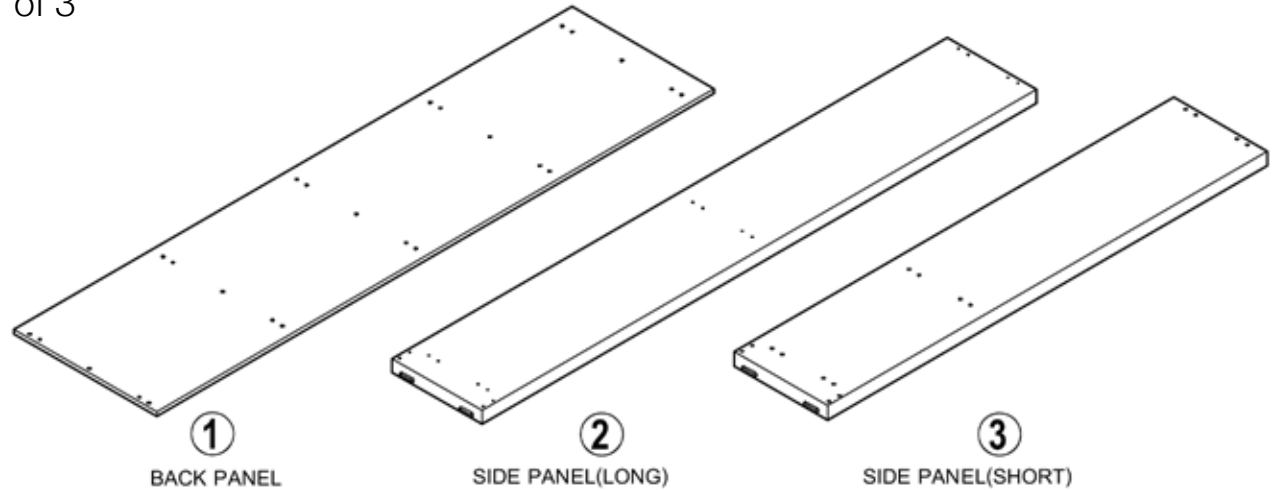
2



3



PLEASE NOTE: Check that you have received all components and hardware before assembling. If you are missing any parts, contact your retailer, or fax Euro Style at 415.455.8033.



①
BACK PANEL

②
SIDE PANEL (LONG)

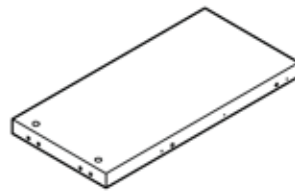
③
SIDE PANEL (SHORT)

PLEASE NOTE

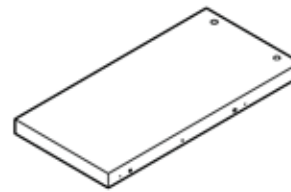
Check that you have received all components and hardware before assembling. If you are missing any parts, contact your retailer or fax Euro Style at 415.455.8033.

Assembly should be performed on carpeted flooring or on a soft cloth to prevent damage to the panel surface.

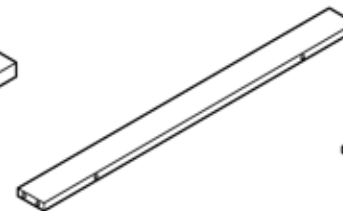
During assembly, hand tighten screws only. When all screws are in place, then tighten completely.



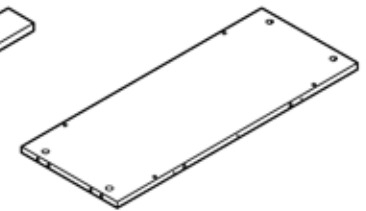
④
FIXED SHELF (LEFT)...x2



⑤
FIXED SHELF (RIGHT)...x2

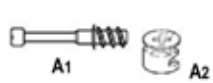


⑥
SUPPORT PANEL...x2



⑦
BOTTOM PANEL

FITTINGS CHECKLIST



A...x12/12



B...x34



C...x15



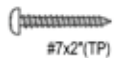
D...x2



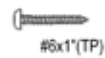
E...x1



F...x1



G...x15



H...x2



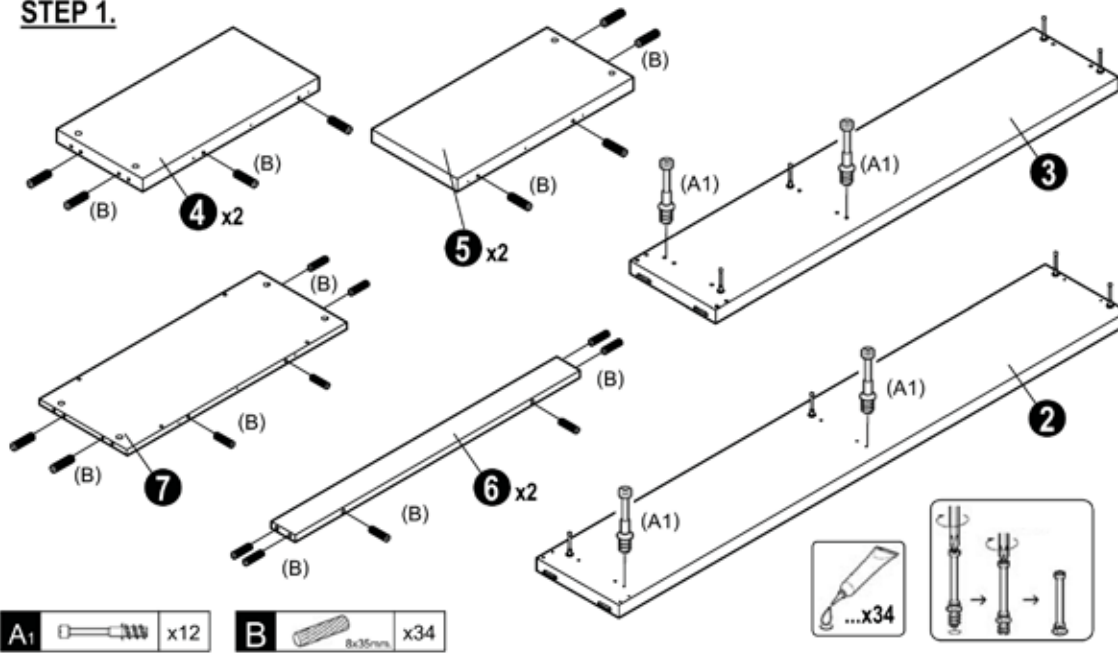
GLUE ...x 1



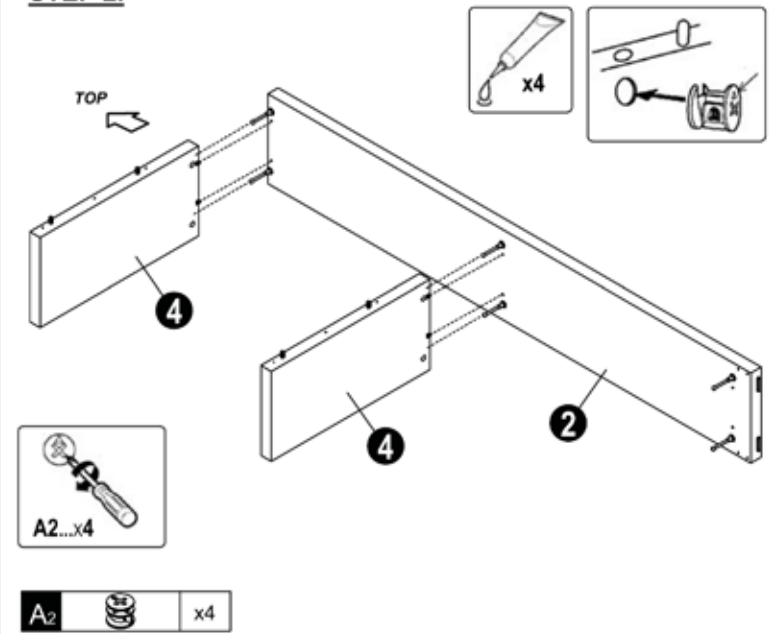
Assembly Instructions

Robbie Shelving Unit (wenge) Page 2 of 3

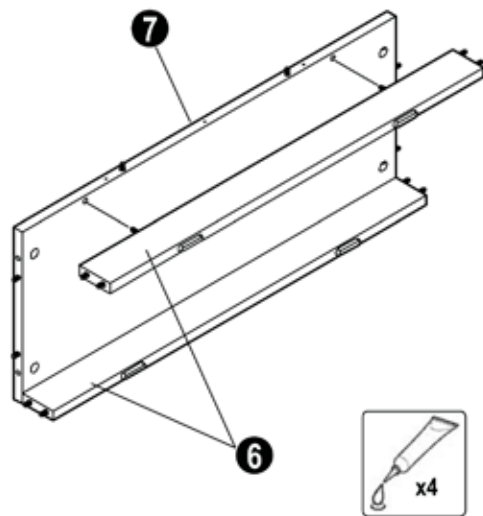
STEP 1.



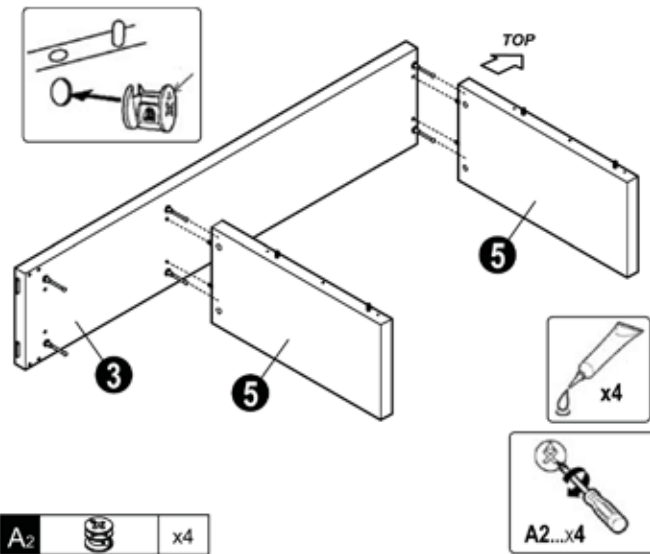
STEP 2.



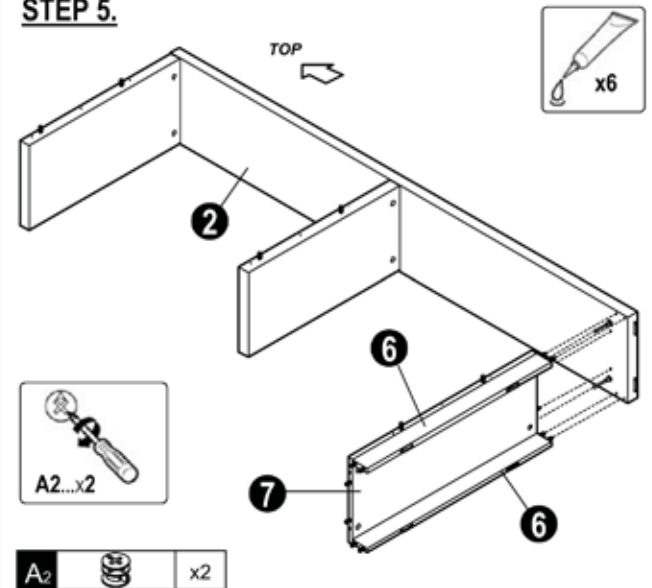
STEP 3.



STEP 4.



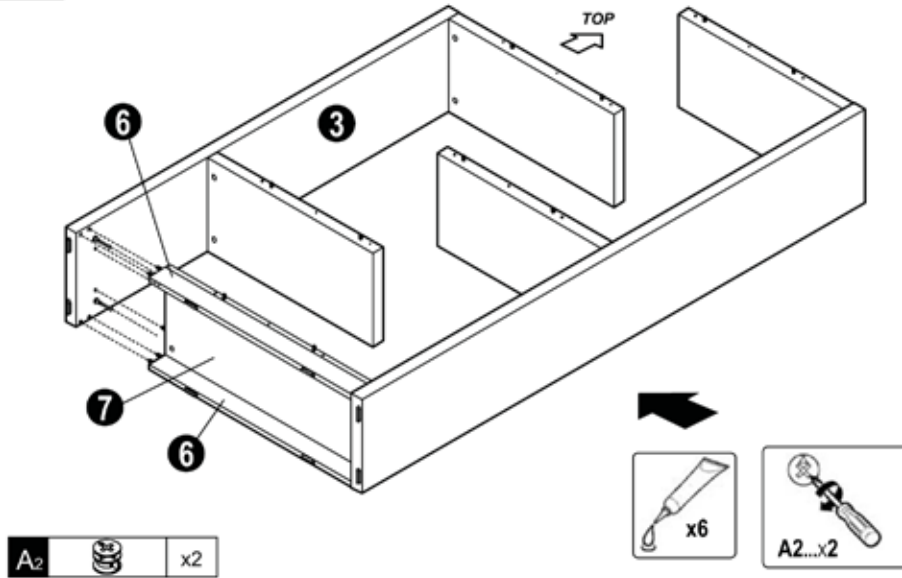
STEP 5.



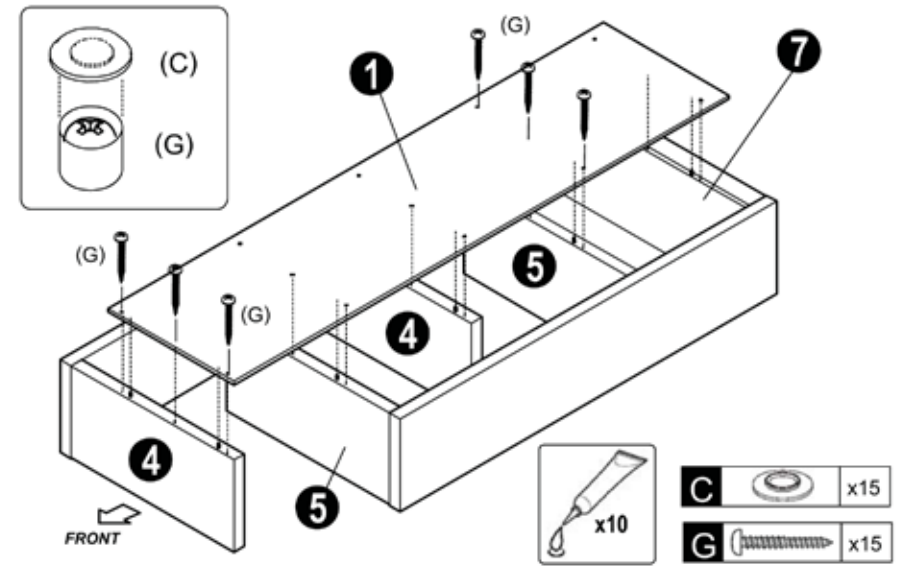
Assembly Instructions

Robbie Shelving Unit (wenge) Page 3 of 3

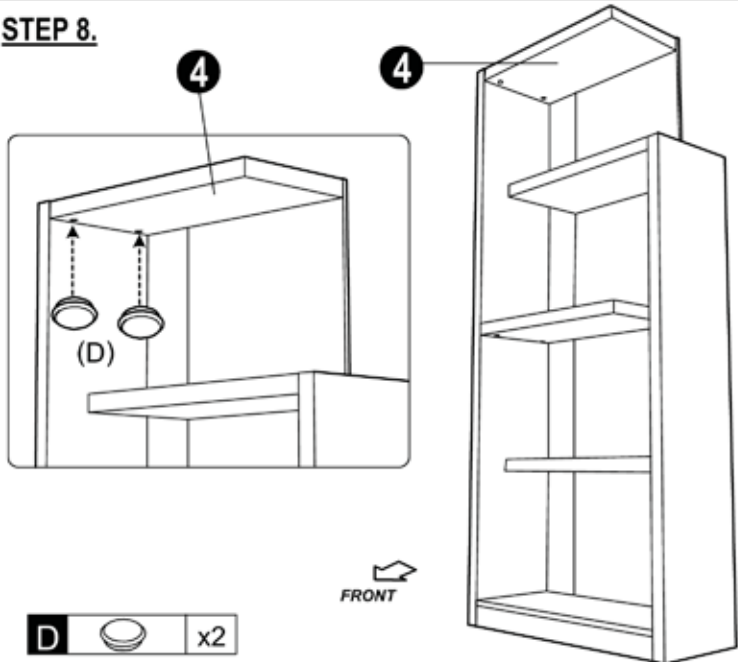
STEP 6.



STEP 7.



STEP 8.



STEP 9.

