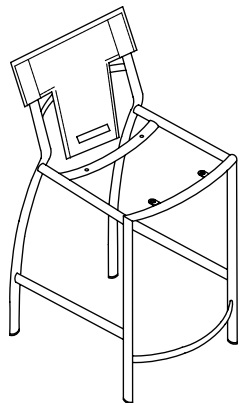


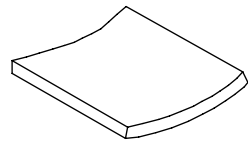
euro style™

Assembly Instructions

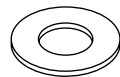
Vinnie-B Bar Chair



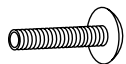
A (1 pc)



B (1 pc)



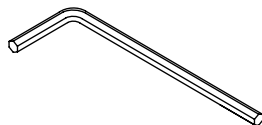
C (4 pcs)



D (2 pcs)



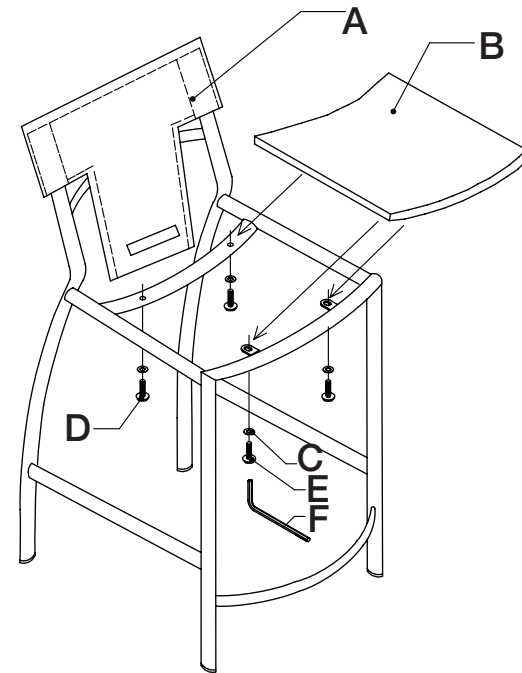
E (2 pcs)



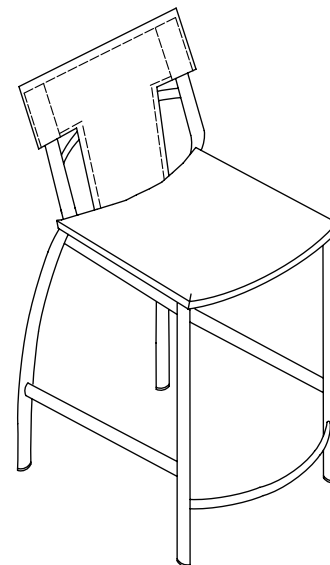
F (1 pc)

During assembly, hand tighten screws only. When all screws are in place, then tighten completely.

1



2



PLEASE NOTE: Check that you have received all components and hardware before assembling. If you are missing any parts, contact your retailer, or fax Euro Style at 415.455.8033.