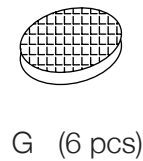
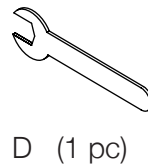
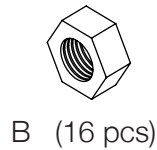
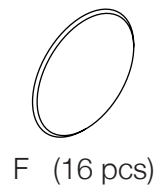
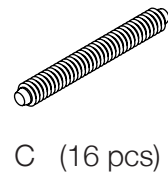
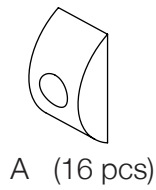
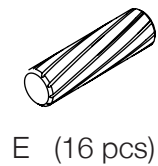
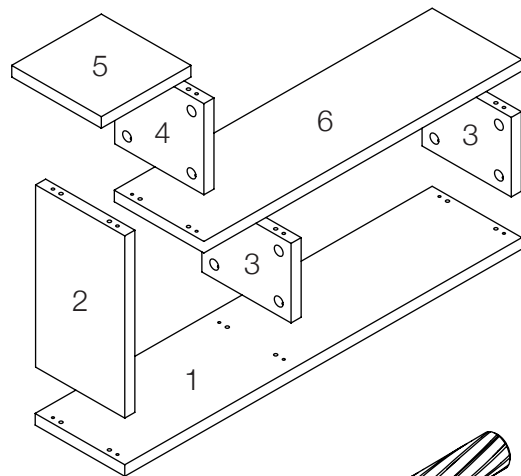


euro style™

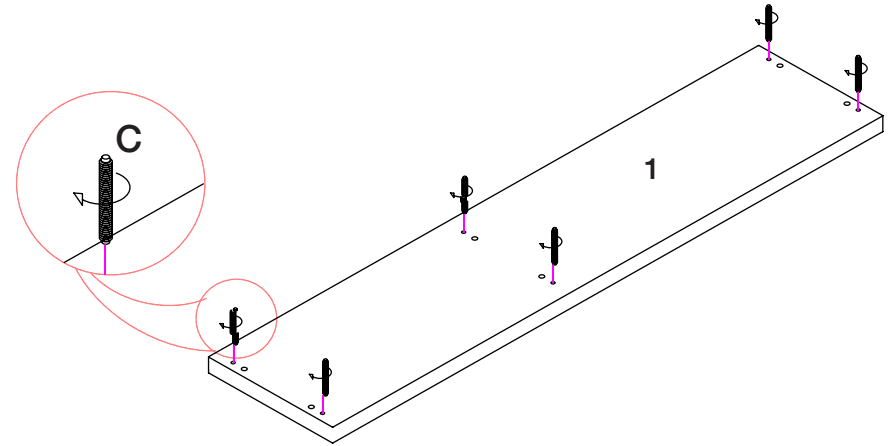
Assembly Instructions Page 1 of 3

Mervin Media Stand

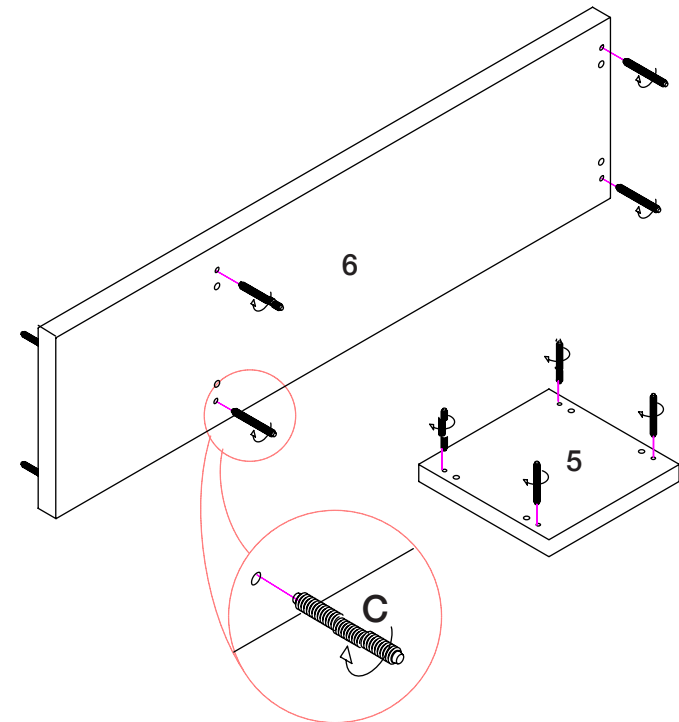


During assembly, hand tighten screws only. When all screws are in place, then tighten completely.

1



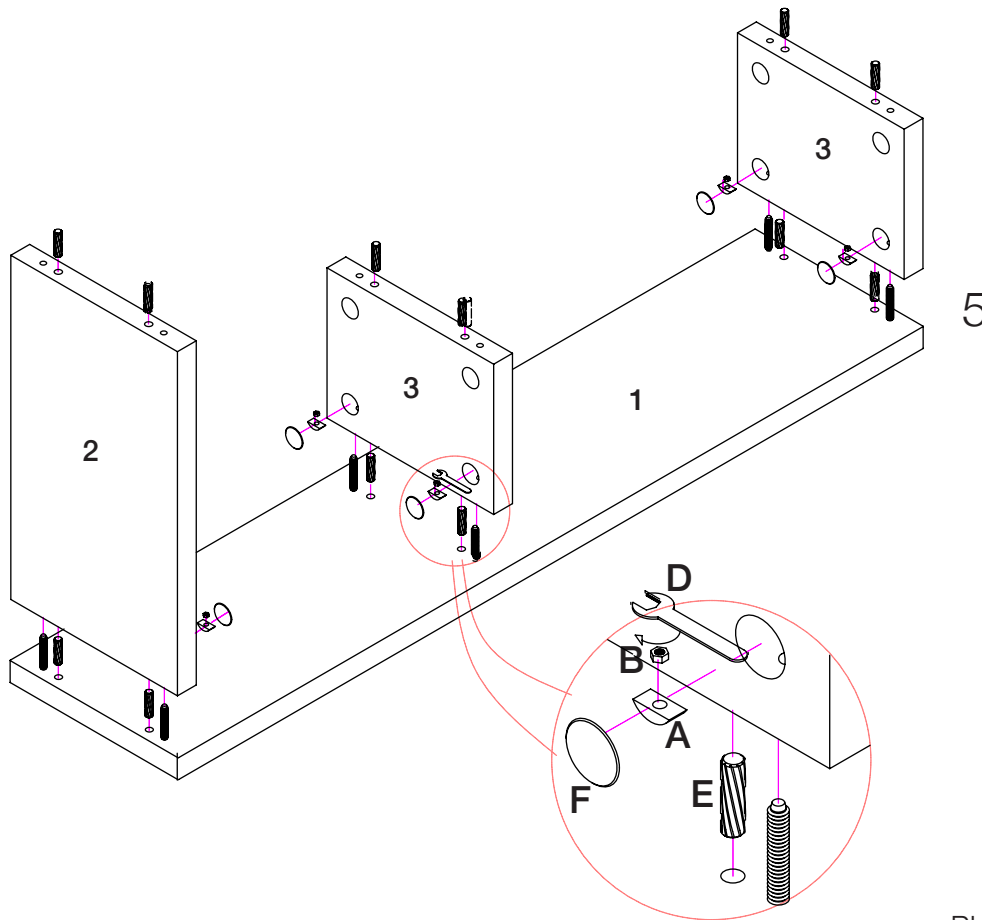
2



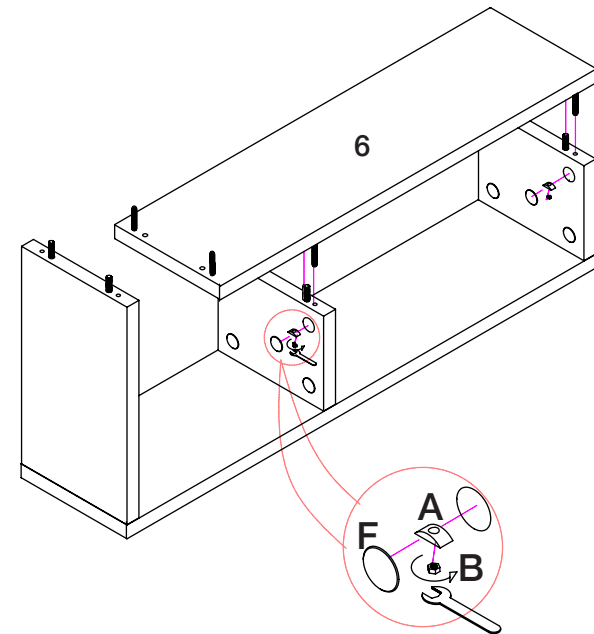
PLEASE NOTE: Check that you have received all components and hardware before assembling. If you are missing any parts, contact your retailer, or fax Euro Style at 415.455.8033.

Mervin Media Stand

3

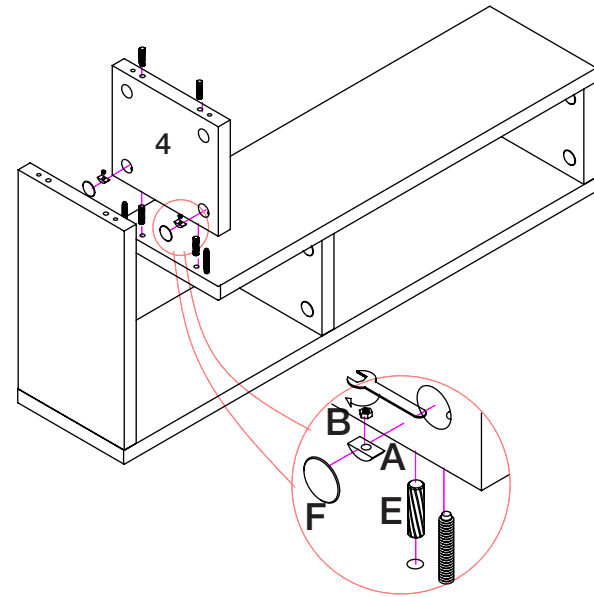


4



During assembly, hand tighten screws only. When all screws are in place, then tighten completely.

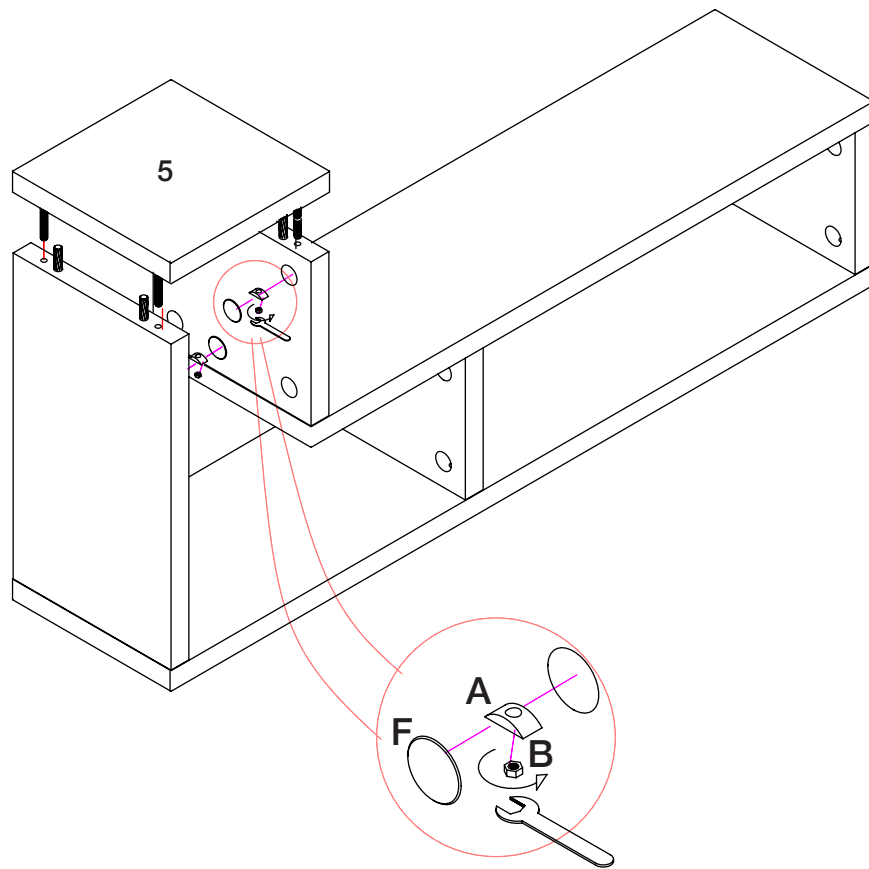
5



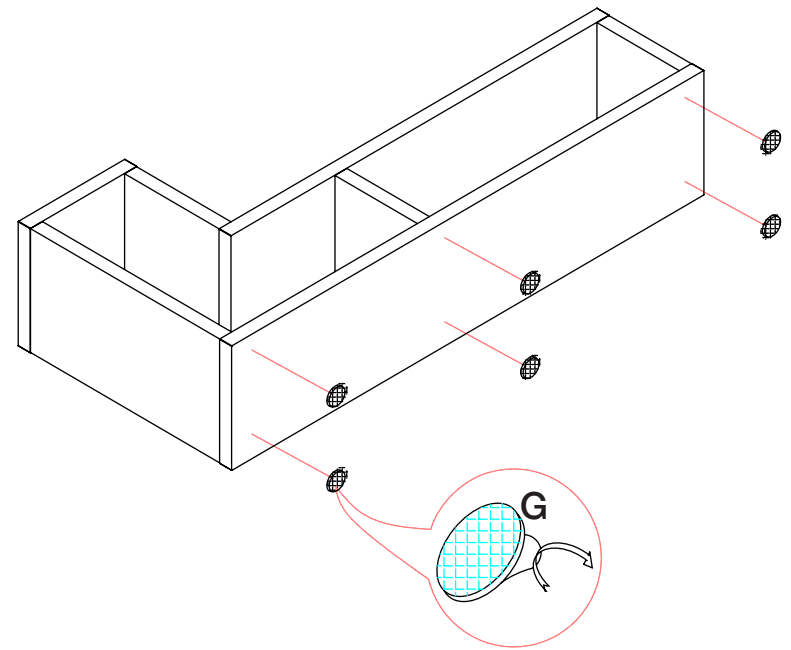
PLEASE NOTE: Check that you have received all components and hardware before assembling. If you are missing any parts, contact your retailer, or fax Euro Style at 415.455.8033.

Mervin Media Stand

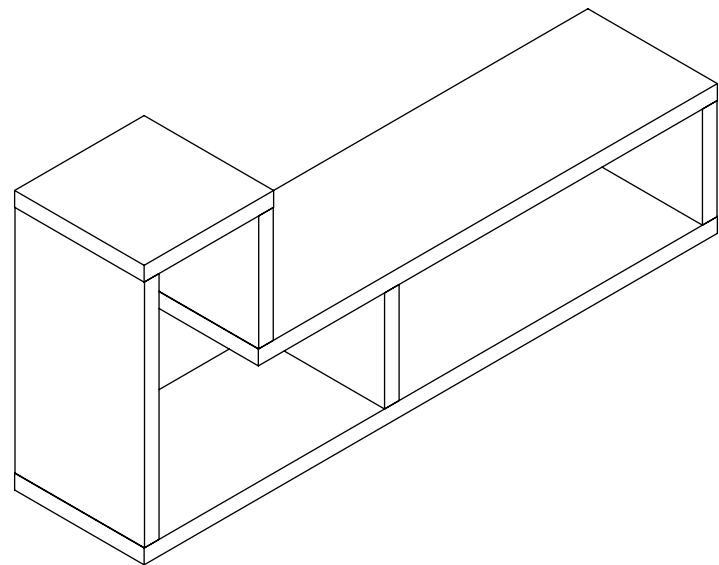
6



7



8



During assembly, hand tighten screws only. When all screws are in place, then tighten completely.

PLEASE NOTE: Check that you have received all components and hardware before assembling. If you are missing any parts, contact your retailer, or fax Euro Style at 415.455.8033.