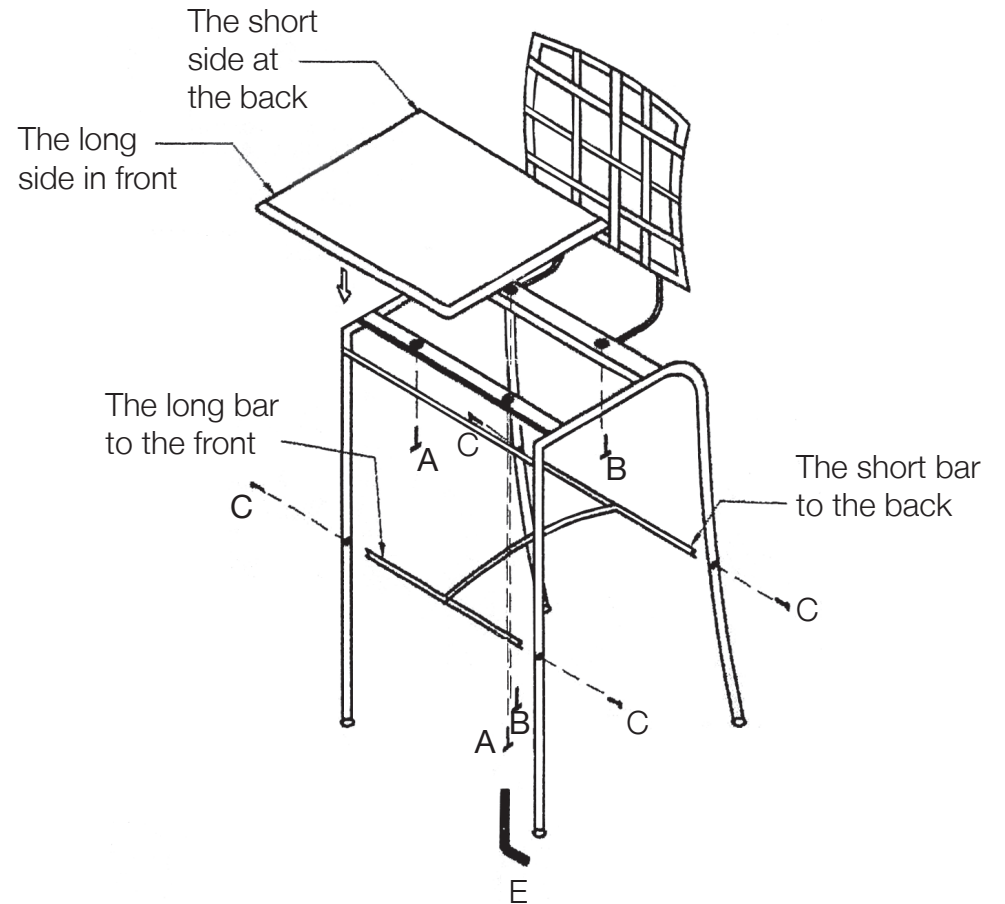









# Assembly Instructions CARINA-C Counter Stool

PLEASE NOTE: Check that you have received all components and hardware before assembling. If you are missing any parts fax Euro Style at 415.455.8033 or email: [claims@gotoeurostyle.com](mailto:claims@gotoeurostyle.com)



- |   |   |   |   |   |
|---|---|---|---|---|
|  |  |  |  |  |
| A x 2   | B x 2   | C x 4   | D x 8   | E x 1   |
| Flat head screw   | Flat head screw   | Round head screw  | Lock washer   | Allen wrench  |
- (Place lock washers between screws and screw holes)

During assembly, hand tighten screws only. When all screws are in place, then tighten completely.