

Assembly Instructions SOPHIA Bar/Counter Stool



Ø1/4" X 5/8"



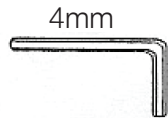
A (4 pcs)



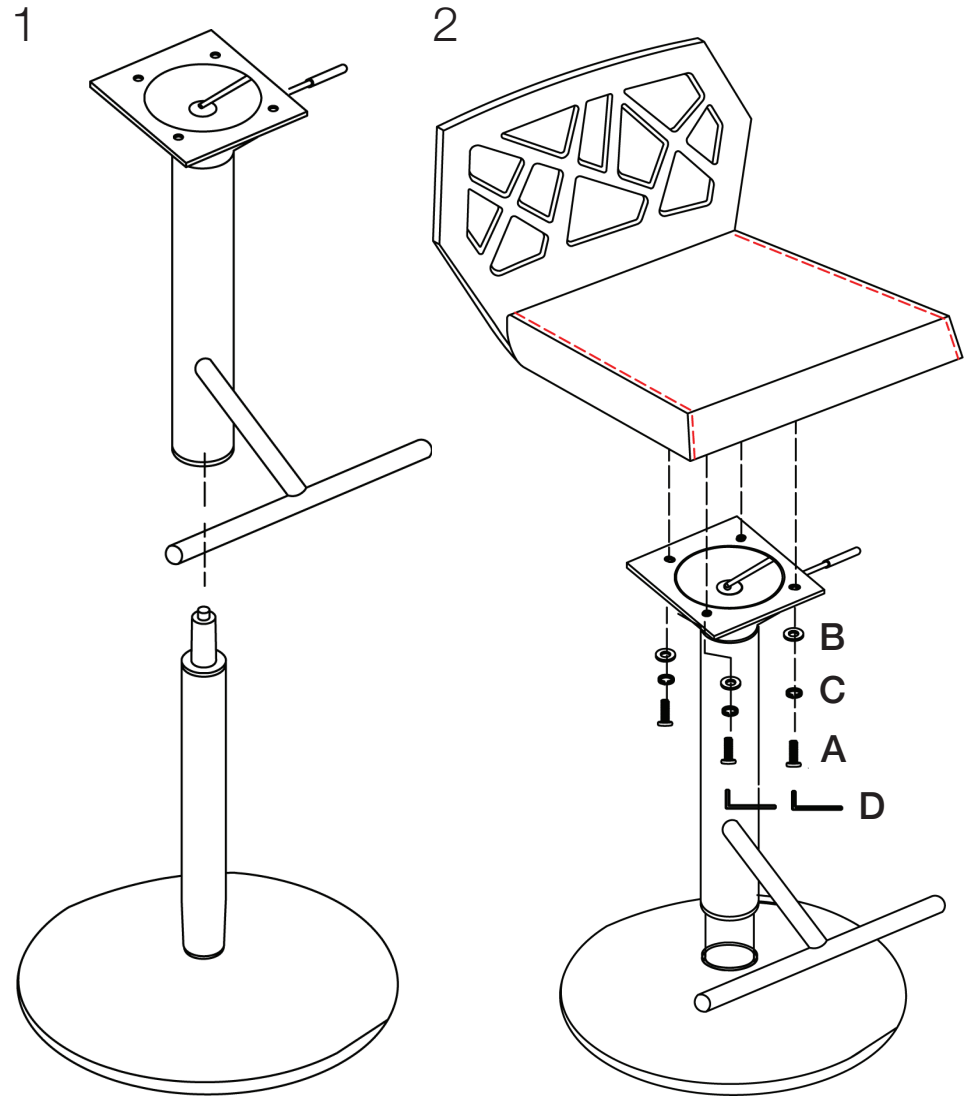
B (4 pcs)



C (4 pcs)



D (1 pc)



During assembly, hand tighten screws only. When all screws are in place, then tighten completely.