

# eurow style

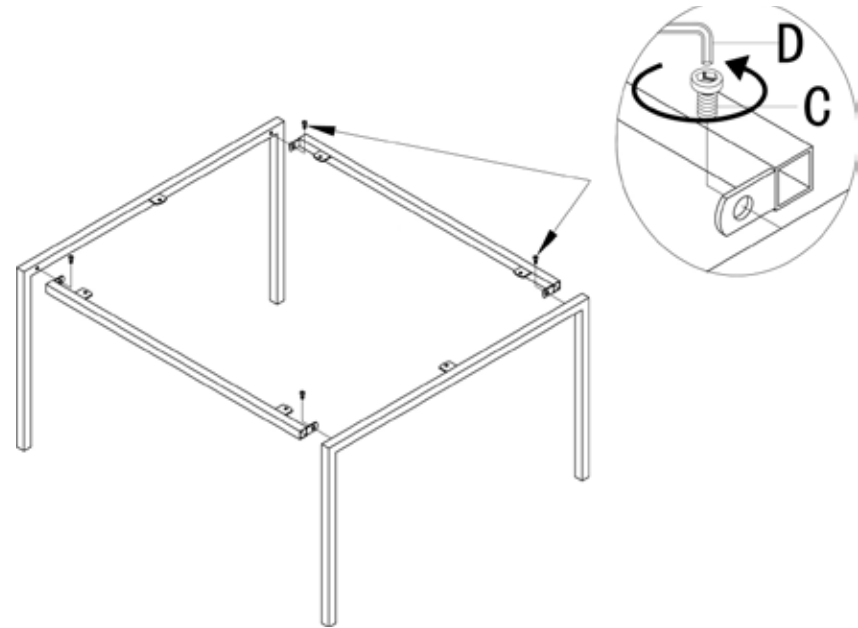
## Assembly Instructions

### TERESA Side Table

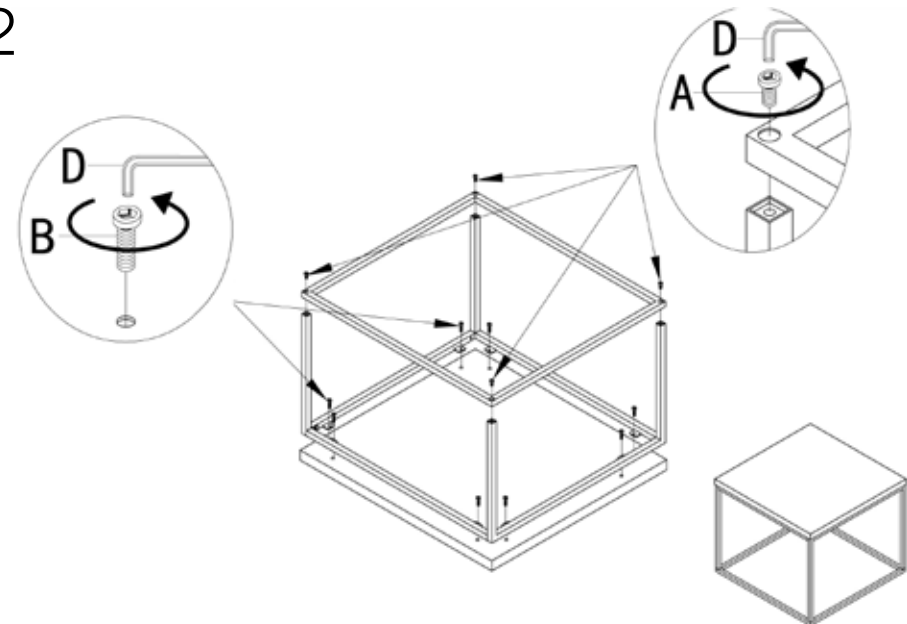


PLEASE NOTE: Check that you have received all components and hardware before assembling. If you are missing any parts, contact your retailer, or fax Euro Style at 415.455.8033.

1



2



A (4 pcs)  M6 X 35mm

B (8 pcs)  M6 x 20mm

C (4 pcs)  M6 x 10mm

D (1 pc)  M4mm

During assembly, hand tighten screws only. When all screws are in place, then tighten completely.