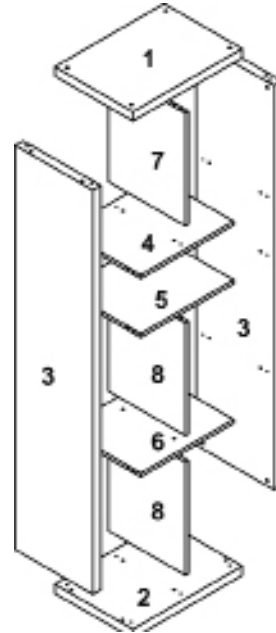


PLEASE NOTE: Check that you have received all components and hardware before assembling. If you are missing any parts fax Euro Style at 415.455.8033 or email: claims@gotoeurostyle.com



Option B (laying flat) see page 4



Option A (standing up) see page 3



A (20 pcs)
(M8 x 30mm)



B (10 pcs)
(M8 x 50mm)



C (20 pcs)
(M8 x 24mm)



D (20 pcs)



E (8 pcs)



F (8 pcs)



G (1 pc)
(M8 x 65mm)



H (20 pcs)



I (8 pcs)



J (8 pcs)

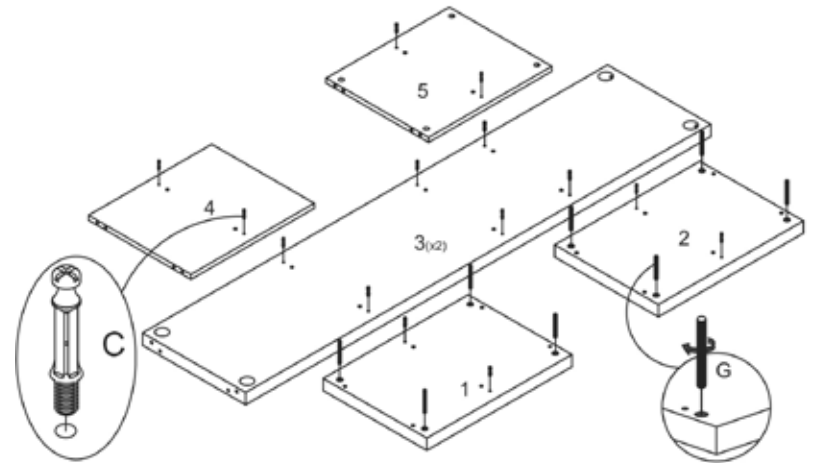


K (1 pc)

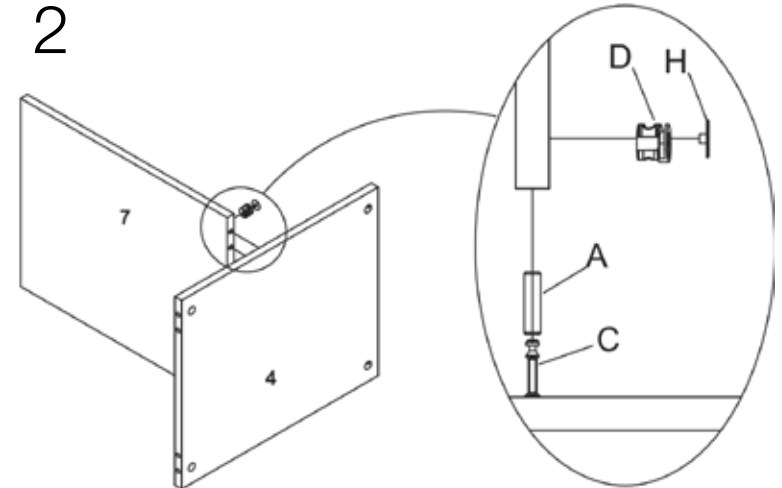


L (1 pc)

1

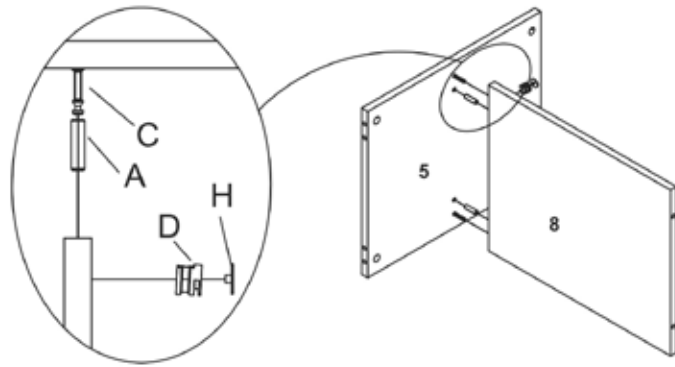


2

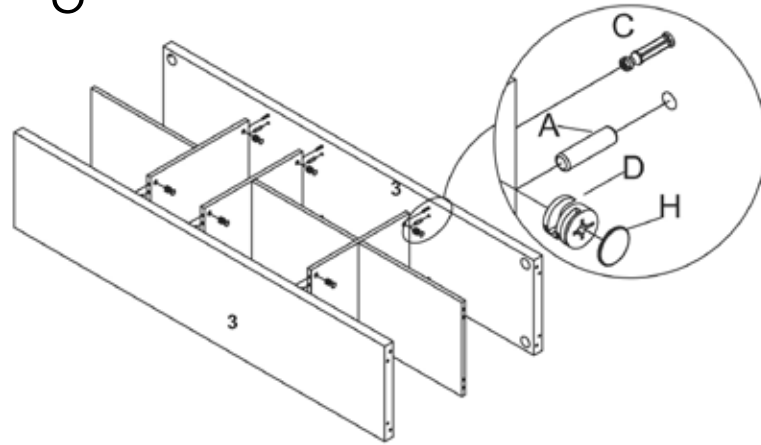


PLEASE NOTE: Check that you have received all components and hardware before assembling. If you are missing any parts fax Euro Style at 415.455.8033 or email: claims@gotoeurostyle.com

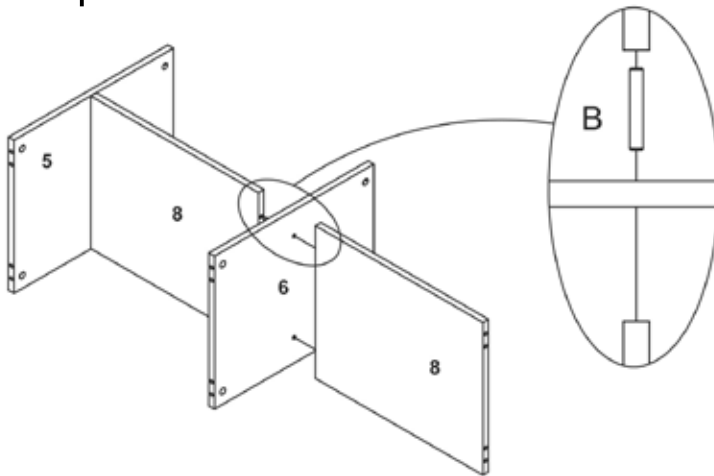
3



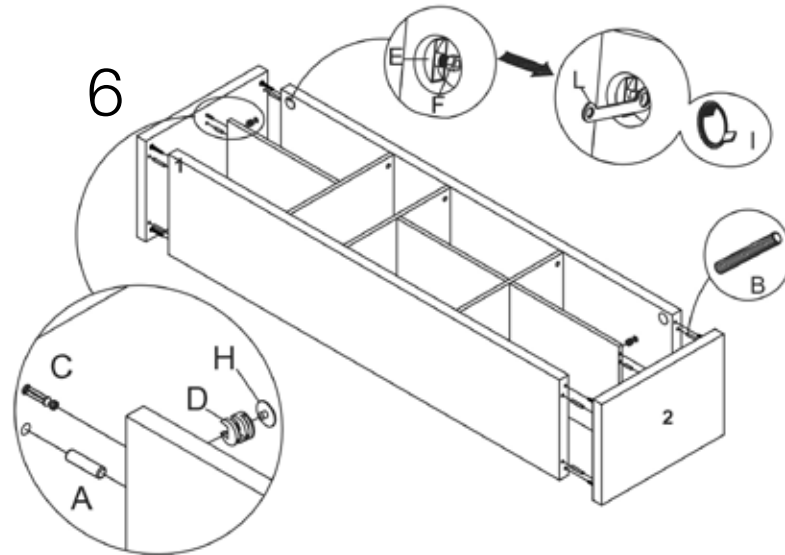
5



4

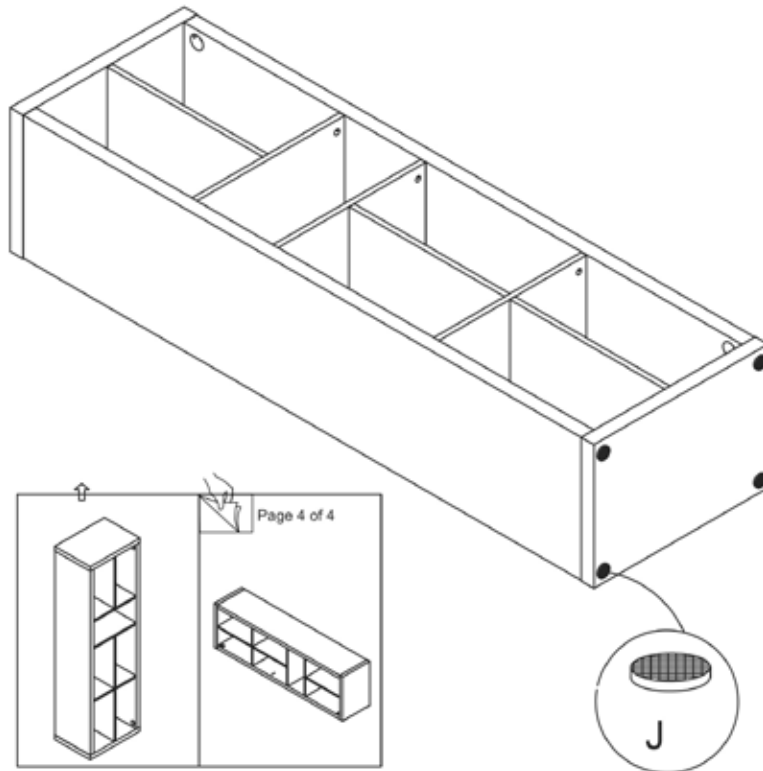


6

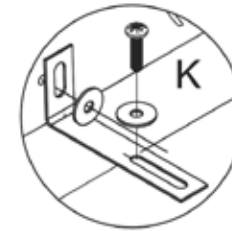


PLEASE NOTE: Check that you have received all components and hardware before assembling. If you are missing any parts fax Euro Style at 415.455.8033 or email: claims@gotoeurostyle.com

7

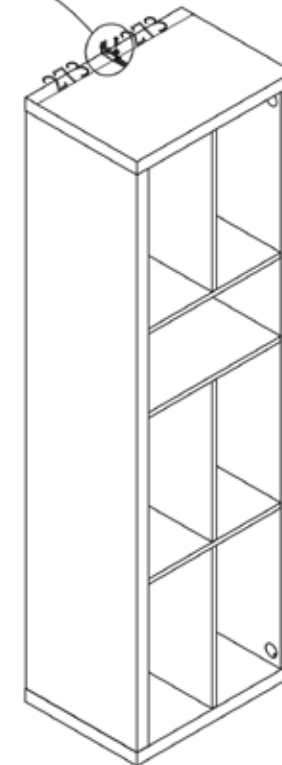


8



Keep the anti-tipping hardware centered

It is necessary to identify the type of wall that you will fix the product to in order to get the appropriate fasteners to attach it to the wall. If needed, please contact a specialist for advice.



PLEASE NOTE: Check that you have received all components and hardware before assembling. If you are missing any parts fax Euro Style at 415.455.8033 or email: claims@gotoeurostyle.com

