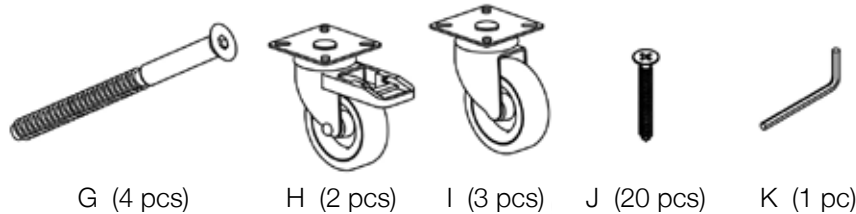
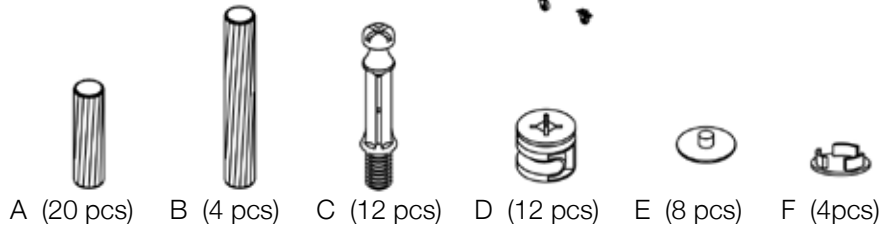
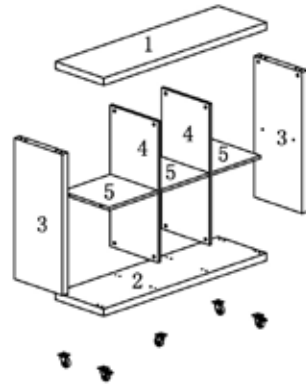


euø style

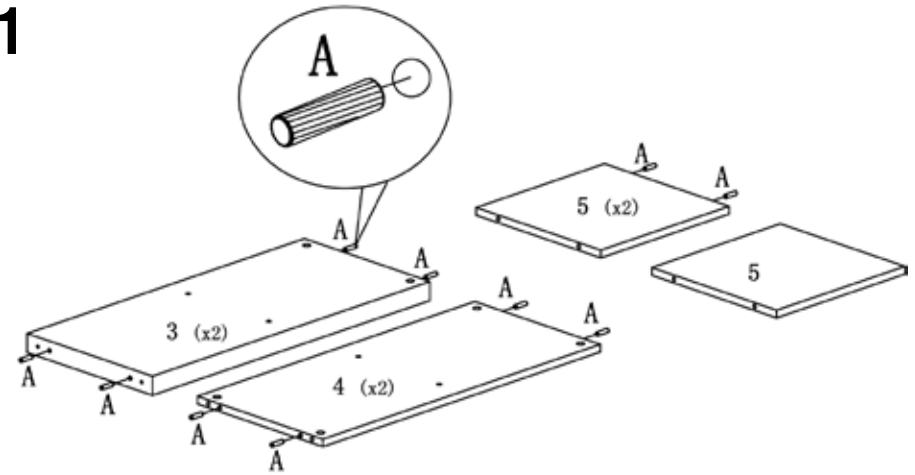
Assembly Instructions

SABRA 2x3 Shelving Unit Page 1 of 3

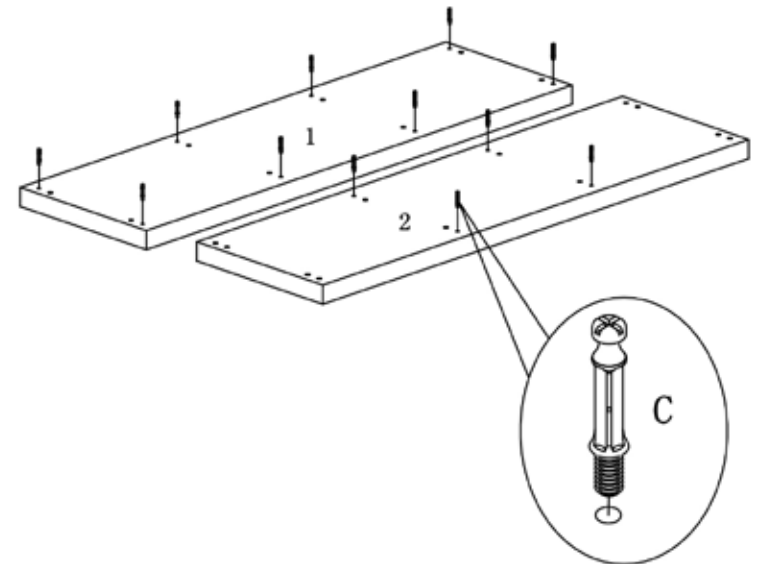
PLEASE NOTE: Check that you have received all components and hardware before assembling. If you are missing any parts fax Euro Style at 415.455.8033 or email: claims@gotoeurostyle.com



1



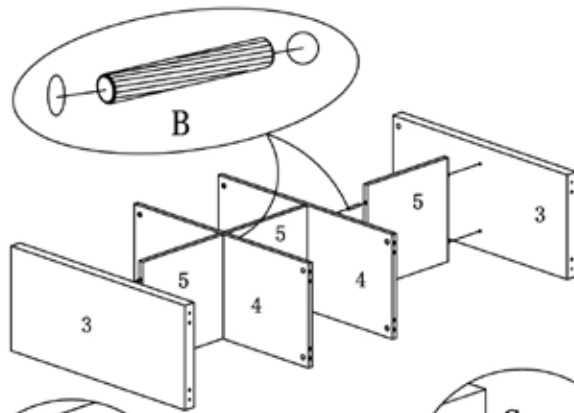
2



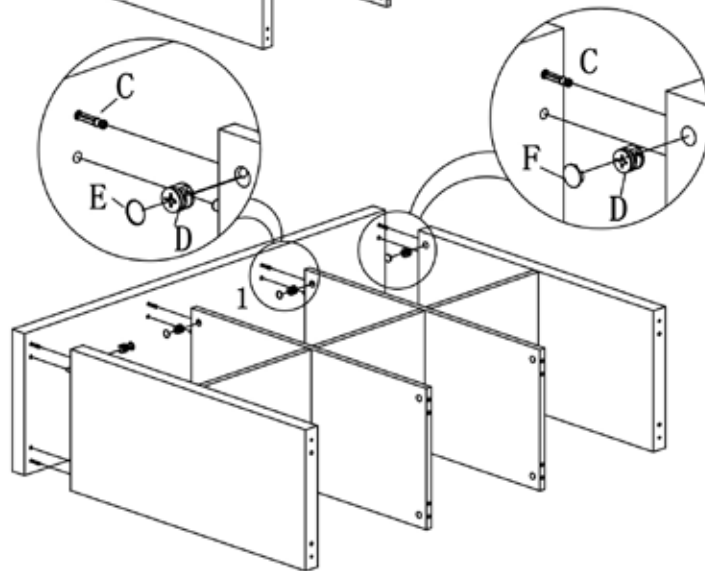
During assembly, hand tighten screws only. When all screws are in place, then tighten completely.

PLEASE NOTE: Check that you have received all components and hardware before assembling. If you are missing any parts fax Euro Style at 415.455.8033 or email: claims@gotoeurostyle.com

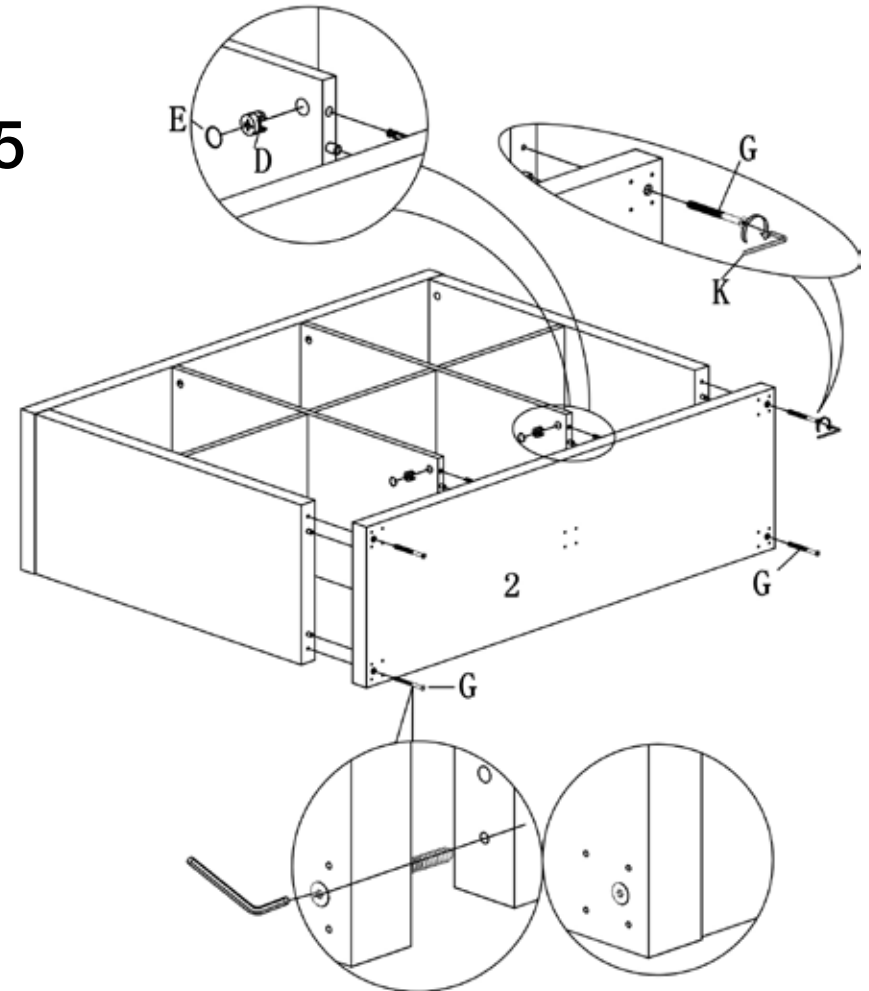
3



4



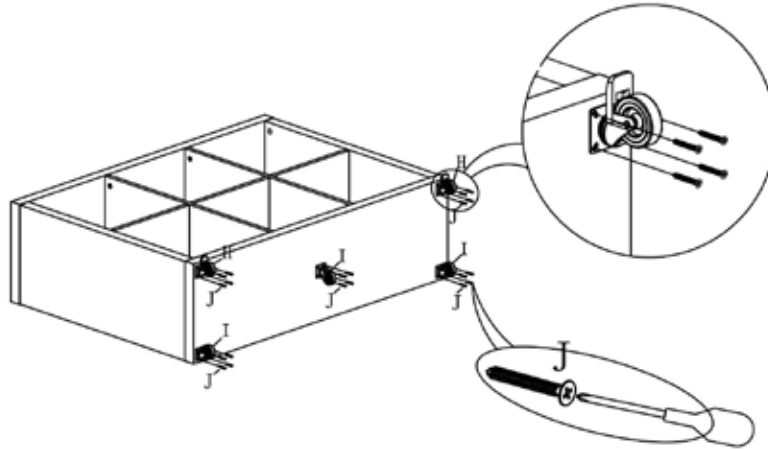
5



During assembly, hand tighten screws only. When all screws are in place, then tighten completely.

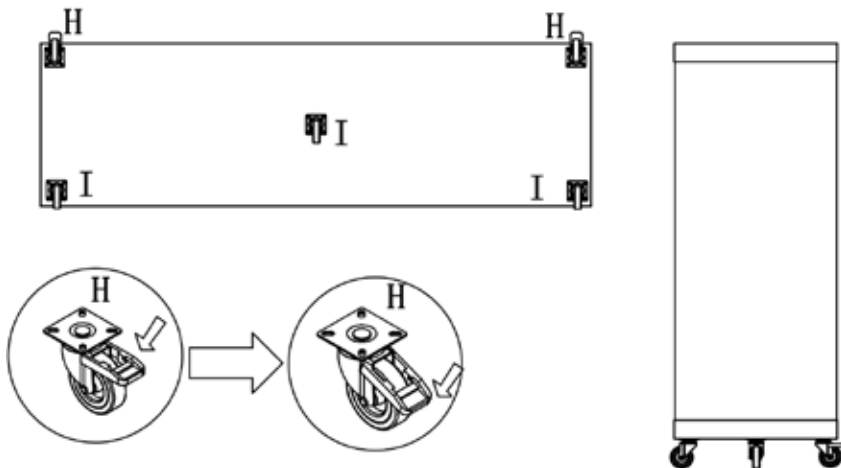
PLEASE NOTE: Check that you have received all components and hardware before assembling. If you are missing any parts fax Euro Style at 415.455.8033 or email: claims@gotoeurostyle.com

6



7

Install the casters as shown below and apply brakes on the casters when the shelf is at the desired location.



During assembly, hand tighten screws only. When all screws are in place, then tighten completely.