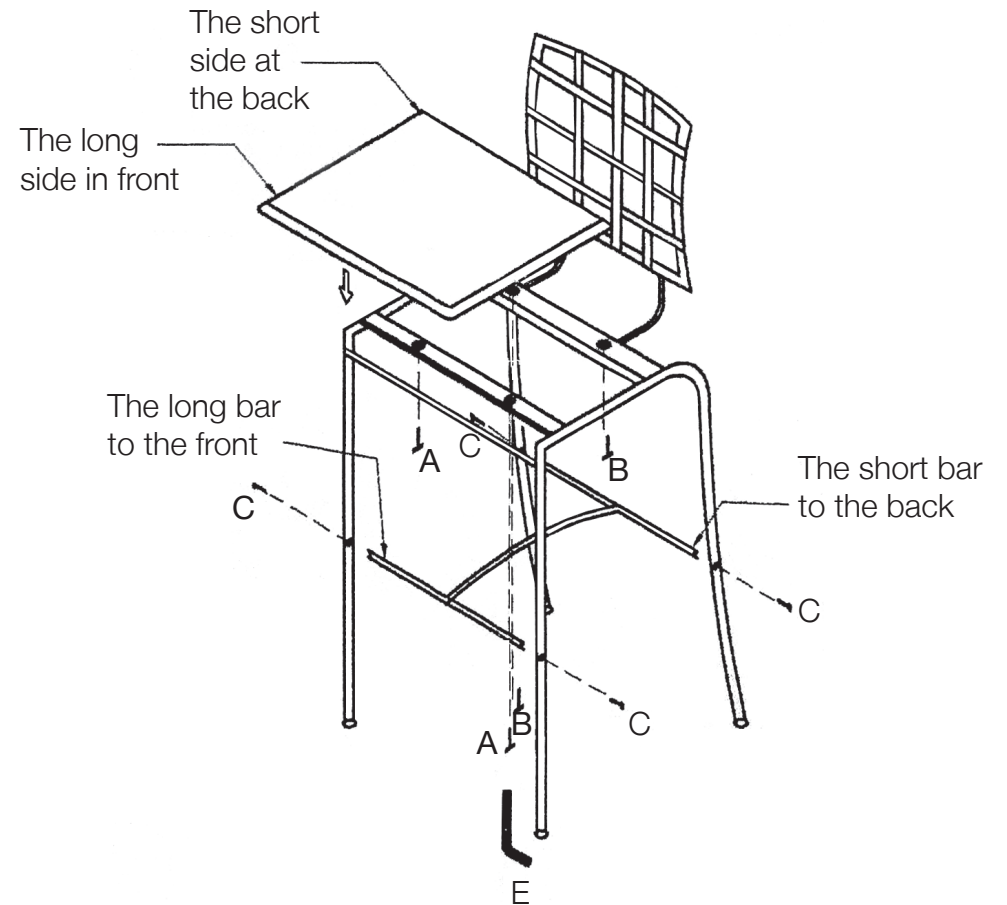









Assembly Instructions CARINA-B Bar Stool



PLEASE NOTE: Check that you have received all components and hardware before assembling. If you are missing any parts fax Euro Style at 415.455.8033 or email: claims@gotoeurostyle.com



| | | | | |
|---|---|---|---|---|
|  |  |  |  |  |
| A x 2 | B x 2 | C x 4 | D x 8 | E x 1 |
| Flat head screw | Flat head screw | Round head screw | Lock washer | Allen wrench |

(Place lock washers between screws and screw holes)

During assembly, hand tighten screws only. When all screws are in place, then tighten completely.