

QUOIZEL

Quoizel Inc.
6 Corporate Parkway
Goose Creek, SC. 29445

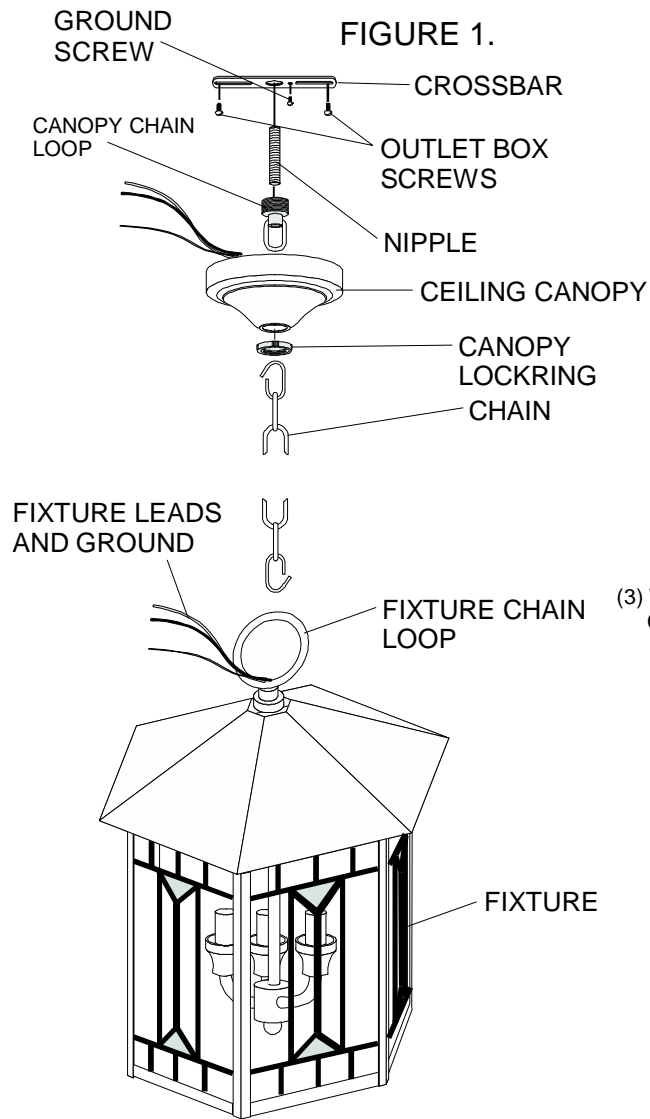
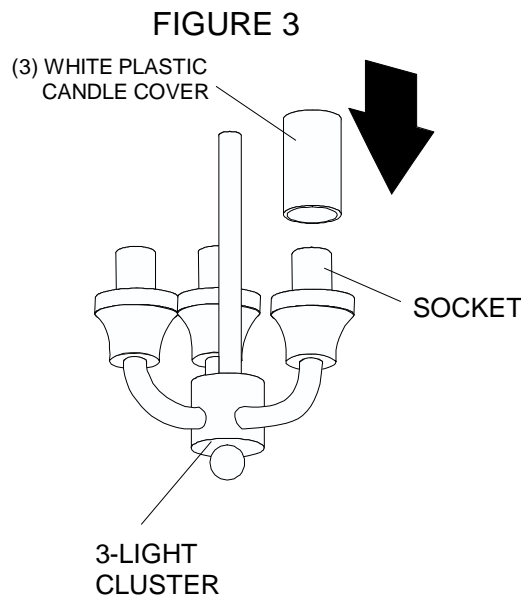
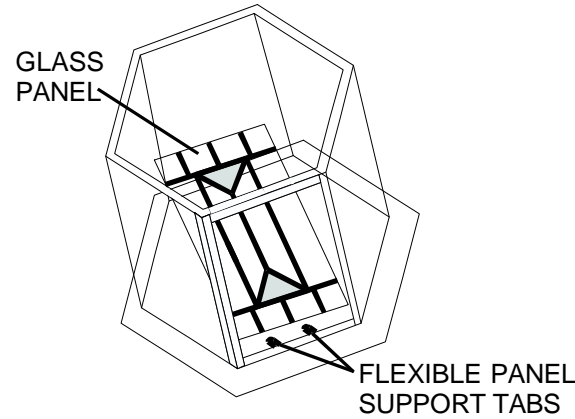


FIGURE 2.



INSTALLATION INSTRUCTIONS:

For (CL1264Z)

1. Before beginning the installation, carefully unpack and identify parts, referring to the illustrations to the left of the page (see FIGURE 1).
2. Turn the electrical power to the installation point OFF!
3. Thread the CANOPY CHAIN LOOP onto one end of the NIPPLE, and start the other end of the NIPPLE into the center of the CROSSBAR. Using (2) OUTLET BOX SCREWS (not supplied), fasten the CROSSBAR to the OUTLET BOX.
4. Determine the hanging height, and securely fasten one end of an appropriate length of CHAIN to the FIXTURE CHAIN LOOP. Weave the FIXTURE LEADS and GROUND through the CHAIN, and pass the CANOPY LOCKRING and the CEILING CANOPY down over the CHAIN and LEADS.
5. Fasten the free end of the CHAIN to the CANOPY CHAIN LOOP. Pass the ends of the FIXTURE LEADS and GROUND up through the CANOPY LOOP.
6. Make the wiring connections: Using the GROUND SCREW, fasten the HOUSE GROUND WIRE and the FIXTURE GROUND WIRE to the CROSSBAR. Connect the HOUSE WHITE WIRE to the FIXTURE RIBBED LEAD; connect the HOUSE BLACK (or RED) WIRE to the FIXTURE SMOOTH LEAD. (note: wire connectors not supplied)
7. Pass the CANOPY up over the CANOPY LOOP, and secure it against the ceiling by threading the CANOPY LOCKRING onto the CANOPY LOOP.
8. Locate the (3) WHITE PLASTIC CANDLE COVERS and slide them over the SOCKETS on the 3 - LIGHT CLUSTER (see FIGURE 3).
9. Install bulb(s). (See fixture markings and/or labels for maximum wattage(s))
10. Restore electrical power to the installation point.

REPLACEMENT OF GLASS PANEL INSTRUCTIONS: (see FIGURE 2.)

1. Turn electrical power to FIXTURE OFF! Remove FIXTURE carefully and place on a flat work surface. The top of the FIXTURE should be facing down.
2. Locate the (2) FLEXIBLE PANEL SUPPORT TABS (located towards top inside of SHADE) bend these forward to free damaged GLASS PANEL. (Quoizel recommends the wearing of protective glasses and gloves during GLASS PANEL replacement).
3. Remove and replace GLASS PANEL.
4. Secure GLASS PANEL by bending (2) FLEXIBLE PANEL SUPPORT TABS to upright position. Return FIXTURE to original installation point and restore power.

**IF IN DOUBT ABOUT ELECTRICAL INSTALLATION,
CONSULT A LICENSED ELECTRICIAN!!!!!!**