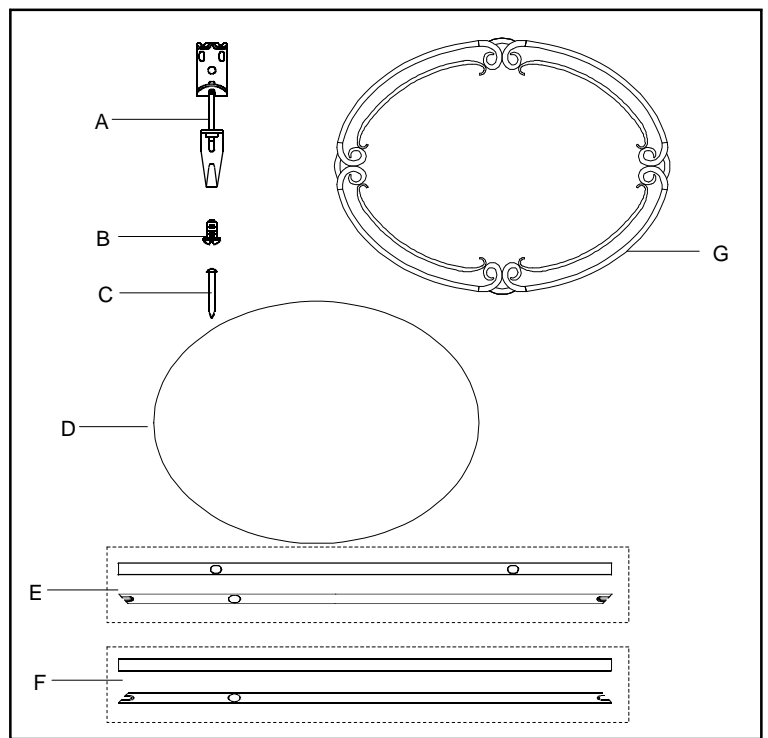


PACKAGE CONTENTS

ISSUED 1-2009

Part	Description	Quantity
A	Mirror Hanger	2pcs
B	Lock Screw	4pcs
C	Hanger Nail	4pcs
D	Mirror	1pc
E	Crossbar with 3 holes	1pc
F	Crossbar with 1 hole	1pc
G	Mirror Frame	1pc



! WARNINGS AND CAUTIONS

CAUTION:

- These instructions are provided for your safety. It is very important that they are read completely before the installation of your fixture.

PREPARATION

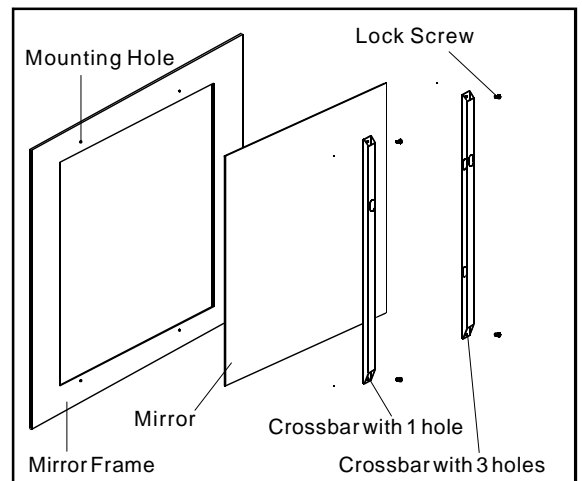
- Before beginning installation of product, make sure all parts are present. Compare parts with package contents list and diagram above. If any part is missing or damaged, do not attempt to assemble, install or operate the product. Contact customer service for replacement part.
- Estimated Assembly Time : 15 - 30 minutes
- Tools Required for Assembly (not included) : Flathead screwdriver, Phillips screwdriver, pliers.

PREPARATION

STEP 1:

* Quizel recommends 2 people for each step.

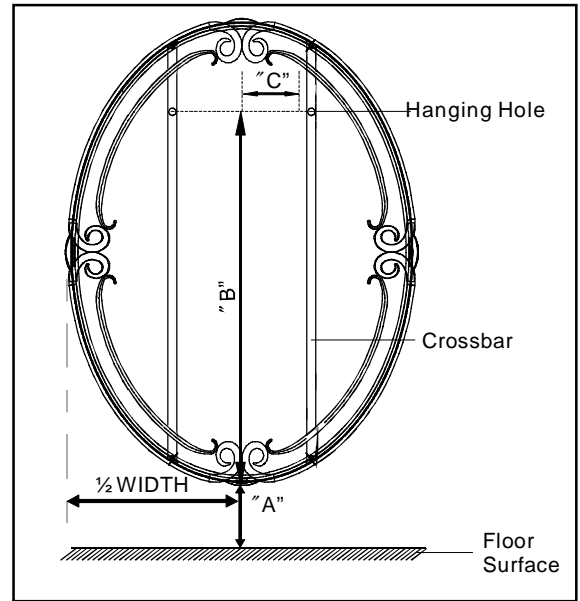
- Place the Mirror Frame onto a flat working surface with the back facing you. Carefully locate the Mirror onto the Mirror Frame.
- Locate Crossbars onto the Mirror Frame as shown and match the holes on them onto the Mounting Holes on the Mirror Frame. Please be sure that 2 holes are against the another crossbar while you assemble the Crossbar with 3 holes.
- Thread the Lock Screws into the Mounting Holes on the Mirror Frame and hand tighten until snug to secure them together.



FOR VERTICAL

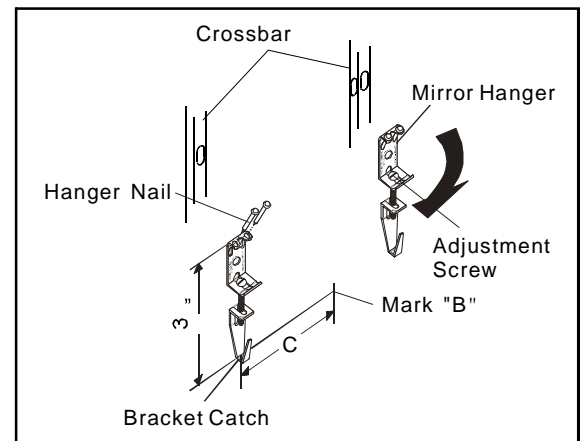
STEP 2:

- a. Lift and position where the Mirror will reside on the wall surface and with a tape measure, mark distance from floor to the bottom edge of the frame with a pencil. Mark should be located at a point representing $\frac{1}{2}$ of mirror width.
- b. Place the Mirror on a flat surface with back facing you. Measure the distance from the bottom edge of the Mirror Frame to the top edge of the Hanging Hole on Crossbar. This represents distance "B" in the illustration.
- c. With tape measure, add this distance to Mark "A" on wall surface and mark with pencil.
- d. Measure distance between center line of the 2 Hanging Holes on Crossbars. Add this $\frac{1}{2}$ distance from Mark "B" on each side and mark with pencil. (Distance "C" in the illustration)
- e. Measure 3" up from Mark "C" and mark. These marks are locators for the (2) Mirror Hangers. Check for marks straightness with level.



STEP 3:

- a. Locate Mirror Hangers and align the top center with 3" Locator mark. Secure them to wall surface with Hanger Nails. **Please be noted that the Mirror Hangers are fully adjustable allowing for easy leveling.**
- b. With Mirror Hangers properly installed, be sure to make sure that the (2) Bracket Catches are approximately equal in length from the top of Mirror Hangers. Adjust overall length with Adjustment Screws.



STEP 4:

- a. With the help of another person, pass the holes on Crossbars over the Mirror Hangers so that the Crossbars rests on the inside of the Bracket Catches.
- c. If needed, adjust mirror for straightness by eye or use level. Make corrections using Adjustment Screws on Mirror Hangers.

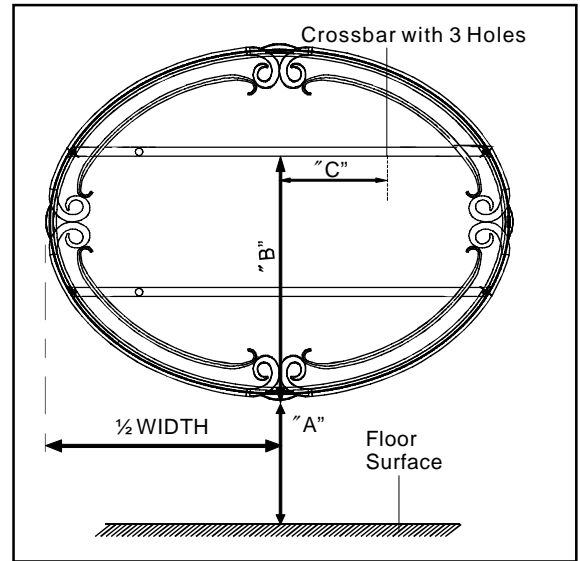
STEP 5:

- a. Clean glass with household glass cleaner. Retain this sheet for future reference.

FOR HORIZONTAL

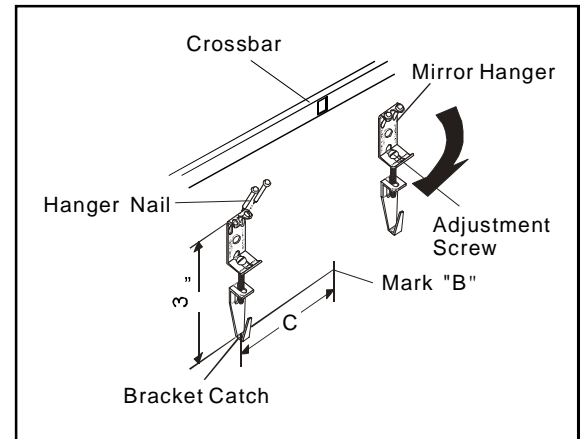
STEP 6:

- a. Lift and position where the Mirror will reside on the wall surface and with a tape measure, mark distance from floor to the bottom edge of the frame with a pencil. Mark should be located at a point representing $\frac{1}{2}$ of mirror width.
- b. Place the Mirror on a flat surface with back facing you. Measure the distance from the bottom edge of the Mirror Frame to the bottom edge of the Crossbar with 3 Holes. This represents distance "B" in the illustration.
- c. With tape measure, add this distance to Mark "A" on wall surface and mark with pencil.
- d. Measure distance between center line of the 2 Hanging Holes on the side of the Crossbars with 3 Holes. Add this $\frac{1}{2}$ distance from Mark "B" on each side and mark with pencil. (Distance "C" in the illustration)
- e. Measure 3" up from Mark "C" and mark. These marks are locators for the (2) Mirror Hangers. Check for marks straightness with level.



STEP 7:

- a. Locate Mirror Hangers and align the top center with 3" Locator mark. Secure them to wall surface with Hanger Nails. **Please be noted that the Mirror Hangers are fully adjustable allowing for easy leveling.**
- b. With Mirror Hangers properly installed, be sure to make sure that the (2) Bracket Catches are approximately equal in length from the top of Mirror Hangers. Adjust overall length with Adjustment Screws.



STEP 8:

- a. With the help of another person, pass the holes on Crossbars over the Mirror Hangers so that the Crossbars rests on the inside of the Bracket Catches.
- c. If needed, adjust mirror for straightness by eye or use level. Make corrections using Adjustment Screws on Mirror Hangers.

STEP 9:

- a. Clean glass with household glass cleaner. Retain this sheet for future reference.