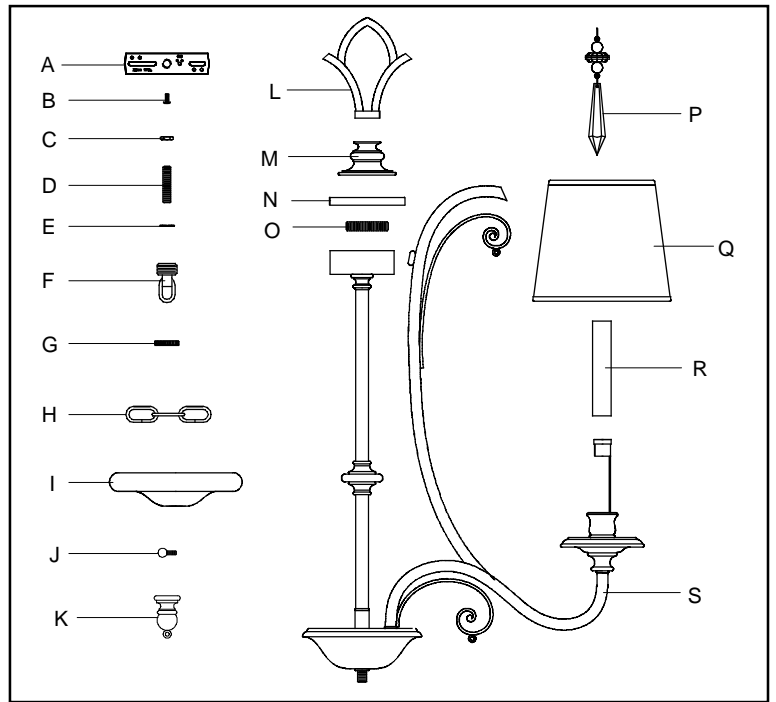


PACKAGE CONTENTS

ISSUED 07-2008

Revised 2008-09-02

Part	Description	Quantity
A	Crossbar	1pc
B	Green Ground Screw	1pc
C	Hex Nut	2pcs
D	Nipple	1pc
E	Lock Washer	2pcs
F	Canopy Chain Loop	1pc
G	Canopy Lock Ring	1pc
H	Fixture Chain	1pc
I	Ceiling Canopy	1pc
J	Lock Screw	5pcs
K	Finial	1pc
L	Fixture Loop	1pc
M	Support Part	1pc
N	Cover	1pc
O	Nipple	1pc
P	Crystal	11pcs
Q	Shade	5pcs
R	Candle Cover	5pcs
S	Fixture Body	1pc



! WARNINGS AND CAUTIONS

WARNING:

- Before beginning the installation, turn off electricity at the circuit breaker box or the main fuse box by switching off the circuit breaker or removing the fuse.

CAUTIONS:

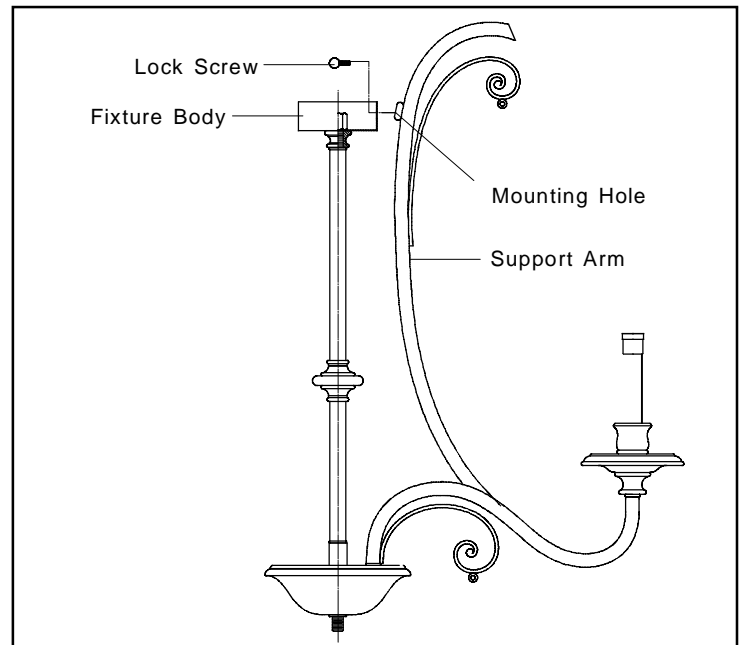
- These instructions are provided for your safety. It is very important that they are read completely before the installation of your fixture. We strongly recommend that a professional electrician install the fixture.
- Disconnect fixture from the power source before replacing the bulb(s), making sure the bulb(s) had sufficient time to cool down. DO NOT subject the lamp to any shock while lit as shattering of lamp may result.

PREPARATION

- Before beginning installation of product, make sure all parts are present. Compare parts with package contents list and diagram above. If any part is missing or damaged, do not attempt to assemble, install or operate the product. Contact customer service for replacement part.
- Estimated Assembly Time: 30 - 45 minutes
- Tools Required for Assembly (not included): Flathead screwdriver, Phillips screwdriver, pliers, electrical tape, wire cutters, safety glasses & 5, 60 Watt, Candelabra Base Bulbs.
- Helpful Tools (not included): Wire Strippers.

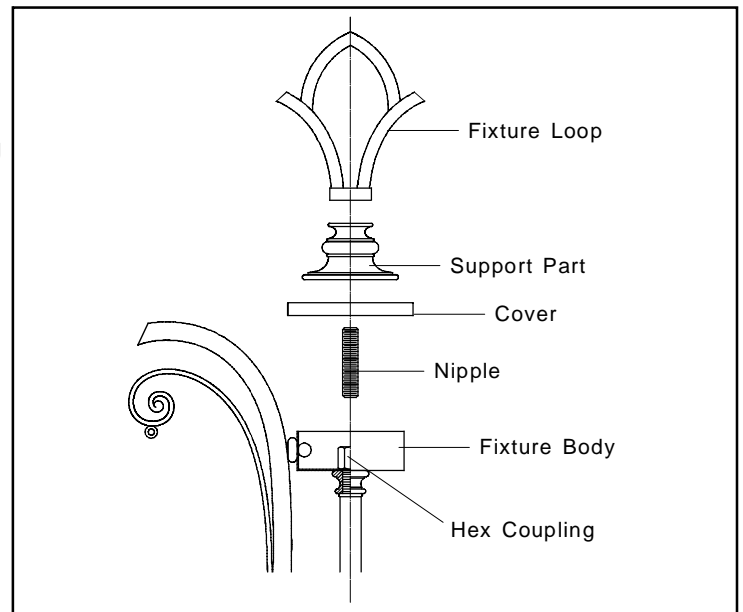
STEP 1:

- a. Unfold the Support Arms to proper locations. Match the Mounting Holes onto the holes on the side of the Fixture Body.
- b. Thread Lock Screws into the Mounting Holes as shown. Hand tighten until snug to secure Support Arms.



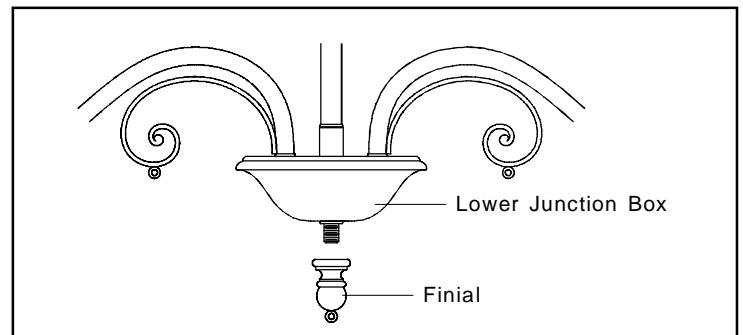
STEP 2:

- a. Thread the Nipple into the Hex Coupling in the center of the Fixture Body. Tighten until snug.
- b. Place the Cover and the Support Part over the top end of the Nipple. Secure them by threading the Fixture Loop onto the Nipple. Hand tighten until snug.



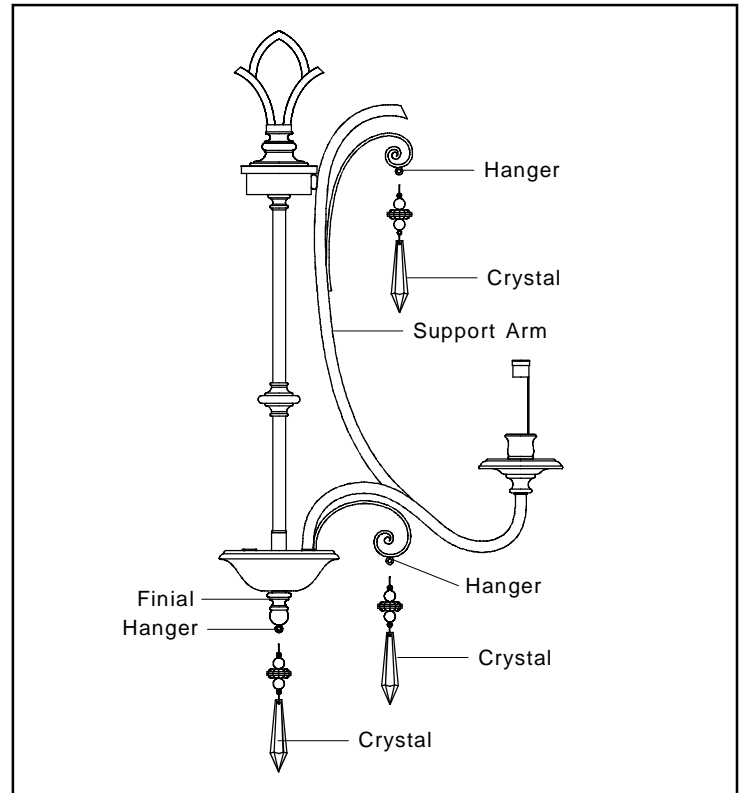
STEP 3:

- a. Thread the Finial onto the nipple on the bottom center of the Lower Junction Box. Hand tighten until snug.



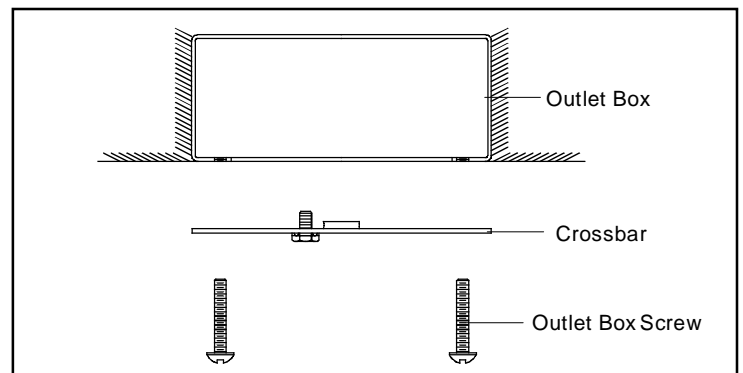
STEP 4:

- a. Place Crystals onto Hangers on the Support Arms and Finial.



STEP 5:

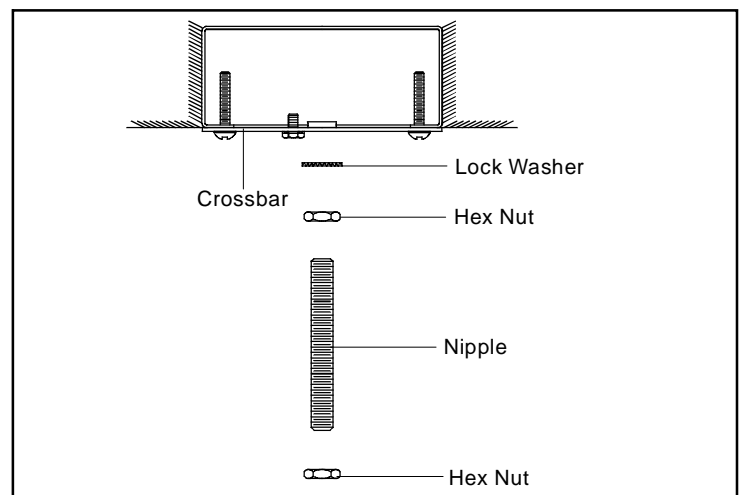
- a. Secure the Crossbar onto the Outlet Box with Outlet Box Screws. Tighten until snug.



STEP 6:

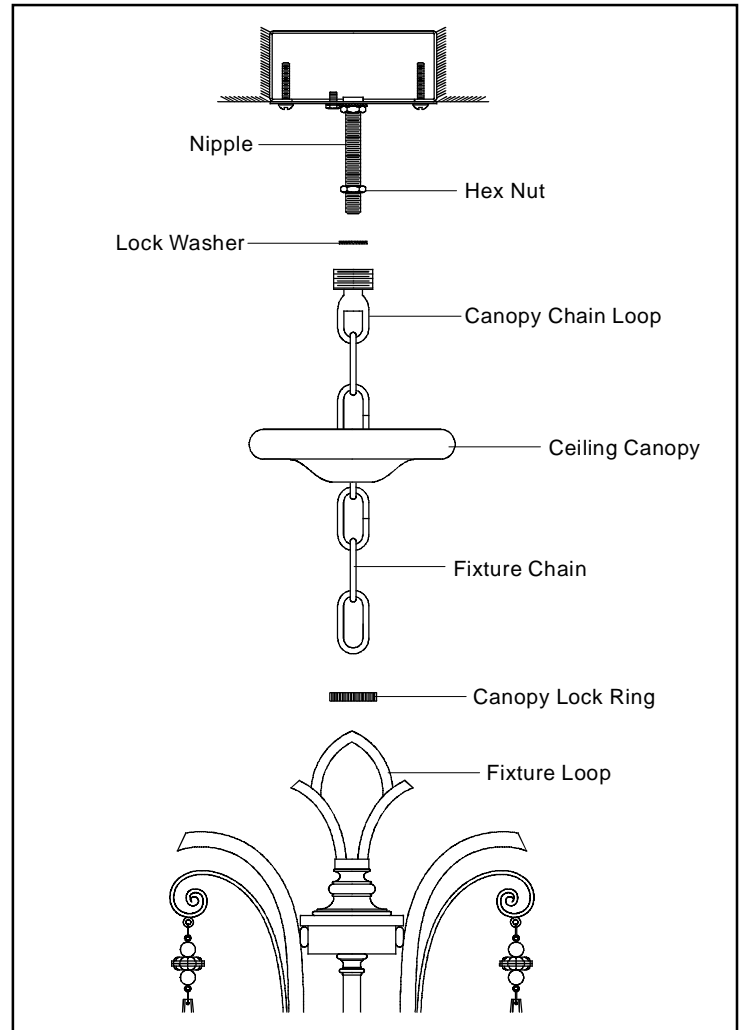
* Plier is required on this step.

- a. Thread one Hex Nut onto top end of the Nipple.
- b. Place one Lock Washer over the top end of the Nipple and then thread the Nipple into the center lock hole of the Crossbar.
- c. Using plier, thread the Hex Nut against the crossbar and hand tighten until snug.
- d. Thread another Hex Nut onto the bottom end of the Nipple.



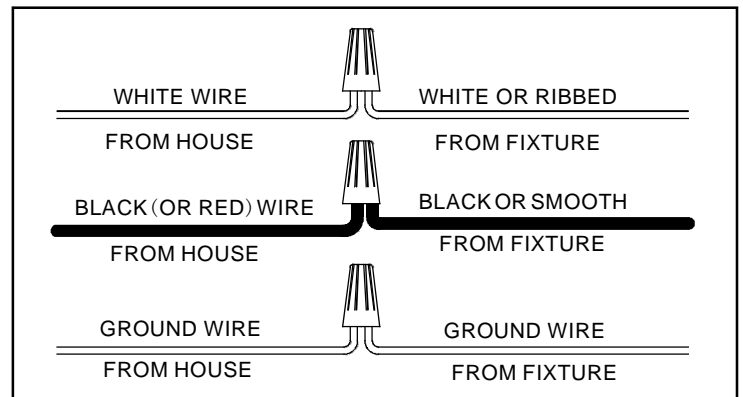
STEP 7:

- a. Adjust the Fixture Chain to your desired length by removing the links if needed.
* Please note that depends on chain material thickness, you might be required to use chain pliers to spread links open.
- b. Pull the supply wires through the Fixture Chain alternating links. And then pull the wires through the following components in turn: Canopy Lock Ring, Ceiling Canopy, Canopy Chain Loop, Lock Washer, and Nipple.
- c. Place Lock Washer over the end of the Nipple and thread the Canopy Chain Loop onto the end of the Nipple.
- d. Using plier, thread the Hex Nut against the Canopy Chain Loop and tighten until snug.
- e. Attach one end of the Fixture Chain onto the Fixture Loop and attach the another end of the chain onto the Canopy Chain Loop.
- f. Refer to Step 8 – Wire Connections to connect wires.
- g. Push the Ceiling Canopy upward over the Outlet Box.
- h. Thread the Canopy Lock Ring onto the Canopy Chain Loop and tighten until snug to secure the Ceiling Canopy.



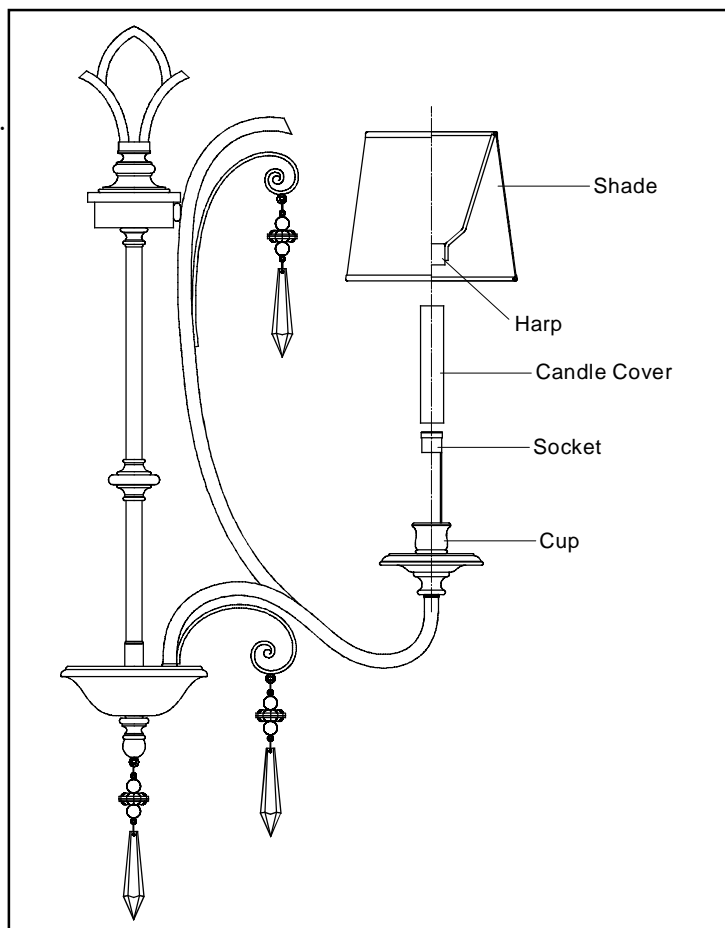
STEP 8:

- * Use Wire Connectors (not supplied) to connect the wires.
- a. Connect the House Ground Wire to the Fixture Ground Wire.
 - b. Connect the House White Wire to the Fixture Supply Wire (White or Ribbed Side).
 - c. Connect the House Black (or Red) Wire to the Fixture Supply Wire (Black or Smooth Side).
 - d. Wrap each connection with approved electrical tape and carefully stuff all of the connected wires into the Outlet Box.



STEP 9:

- a. Place the Candle Cover over the Socket, set into the Cup. And then place the Harp inside of the Shade onto the top end of the Candle Cover.



STEP 10:

- a. Install correct Bulbs referring to fixture markings and/or labels for maximum wattage.

Your installation is completed now. Restore electricity. Retain this sheet for future reference.