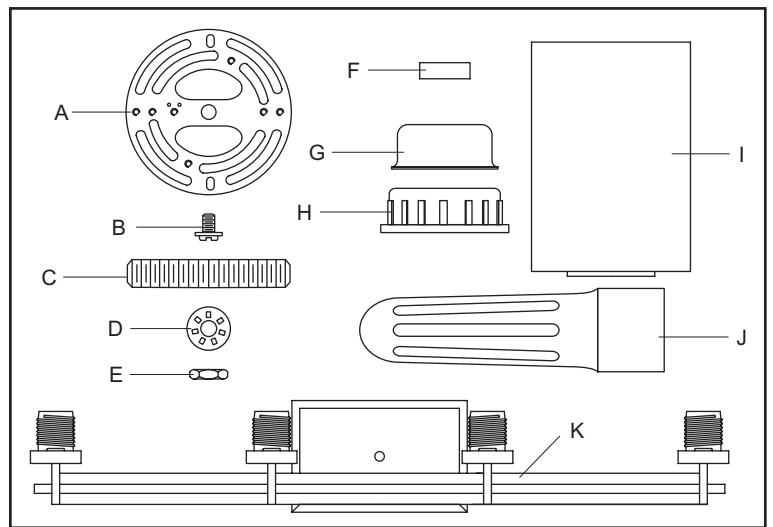


**PACKAGE CONTENTS**

ISSUED 08-2008

Revised 2011-03-08

Part	Description	Quantity
A	Crossbar	1pc
B	Green Ground Screw	1pc
C	Nipple	1pc
D	Lock Washer	1pc
E	Hex Nut	1pc
F	Lock Ball	1pc
G	Steel Collar	4pcs
H	Socket Collar	4pcs
I	Shade	4pcs
J	Socket Collar Tool	1pc
K	Fixture Body	1pc



**! WARNINGS AND CAUTIONS**

**WARNING:**

- Before beginning the installation, turn off electricity at the circuit breaker box or the main fuse box by switching off the circuit breaker or removing the fuse.

**CAUTIONS:**

- These instructions are provided for your safety. It is very important that they are read completely before the installation of your fixture. We strongly recommend that a professional electrician install the fixture.
- Disconnect fixture from the power source before replacing the bulb(s), making sure the bulb(s) had sufficient time to cool down. DO NOT subject the lamp to any shock while lit as shattering of lamp may result.

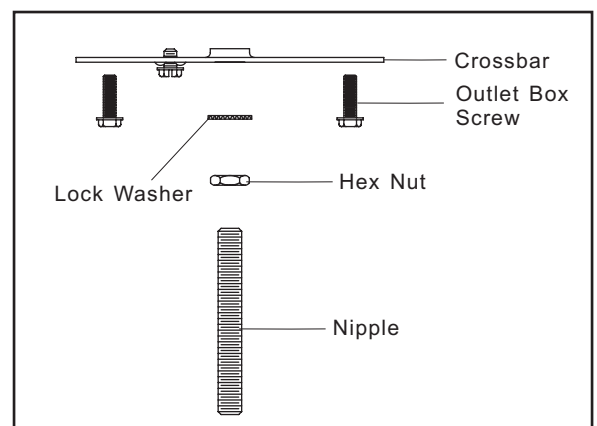
**PREPARATION**

- Before beginning installation of product, make sure all parts are present. Compare parts with package contents list and diagram above. If any part is missing or damaged, do not attempt to assemble, install or operate the product. Contact customer service for replacement part.
- Estimated Assembly Time: 10 - 20 minutes
- Tools Required for Assembly (not included): Flathead screwdriver, Phillips screwdriver, pliers, electrical tape, wire cutters, safety glasses & 4, 100 Watt, Type-A Medium Base Bulbs.
- Helpful Tools (not included): Wire Strippers.

**INSTALLATION INSTRUCTIONS**

**STEP 1:**

- Thread the Hex Nut onto the top end of the Nipple. Place the Lock Washer over the top end of the Nipple and then thread the Nipple into the center hole of the Crossbar.
- Adjust the Nipple and make sure there is proper length extruded for the Fixture Body.
- Using pliers, thread the Hex Nut against the Crossbar and tighten until snug.
- Secure the Crossbar to the Outlet Box with Outlet Box Screws. Hand tighten until snug.



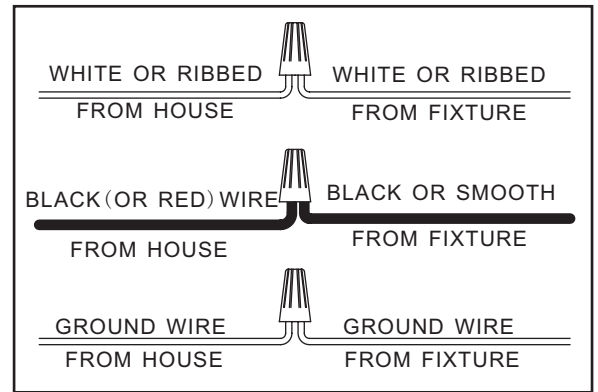
# INSTALLATION INSTRUCTIONS

STYLE NUMBER: TY8604AN, TY8604WT, TY8604C

## STEP 2:

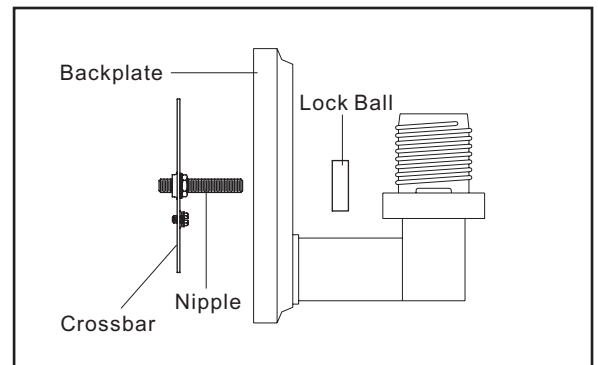
\*Use Wire Connectors (not supplied) to connect the wires.

- Connect the House Ground Wire to the Fixture Ground Wire.
- Connect the House White (or Ribbed) Wire to the Fixture Supply Wire (White or Ribbed Side).
- Connect the House Black(or Red) Wire to the Fixture Supply Wire (Black or Smooth Side).
- Wrap each connection with approved electrical tape and carefully stuff all of the connected wires into the Outlet Box.



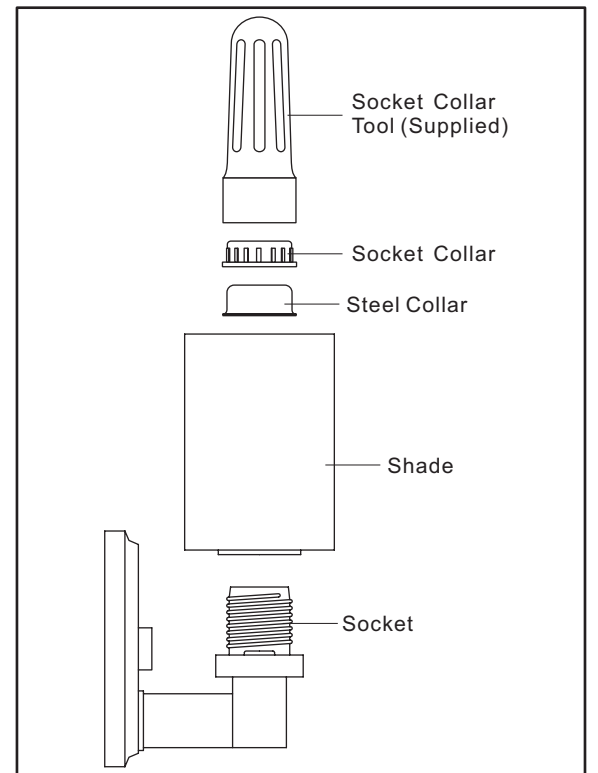
## STEP 3:

- Place the Backplate over the Nipple and secure with the Lock Ball. Hand tighten until snug.



## STEP 4:

- Place the Shade and the Steel Collar over the Socket as shown. Using Socket Collar Tool (Supplied), thread the Socket Collar onto the Socket to secure the Shade. Hand tighten until snug.



## STEP 5 :

- Install correct bulbs referring to fixture markings and/or labels for maximum wattage.

Your installation is completed now. Restore electricity. Retain this sheet for future reference.