

# Assembly Instruction Sheet #IS-ERN8602IB

## For Style ERN8602IB

Quoizel, Inc.  
 6 Corporate Parkway  
 Goose Creek, SC  
 29445

Customer Service  
 Phone 631.273.2700  
 Fax 631.231.7102  
 www. quoizel. com

**Tools Required:** Flathead screwdriver, Phillips screwdriver, pliers, wire cutters, wire strippers, electrical tape, safety glasses.

**Bulb Recommended:** (2) G9 Base Frosted G9 Halogen 75W Maximum

**Estimated Assembly Time:** 20-30 minutes

**Preparation:** Identify and inspect all parts before beginning installation. Check package content list and diagrams below to be sure all parts are present. If any parts are missing or damaged, do not attempt to assemble, install, or operate the fixture. Contact customer service for replacement parts.

### Warnings and Cautions

Turn off electricity at circuit breaker or main fuse box before installation. Consult a licensed electrician if in doubt.

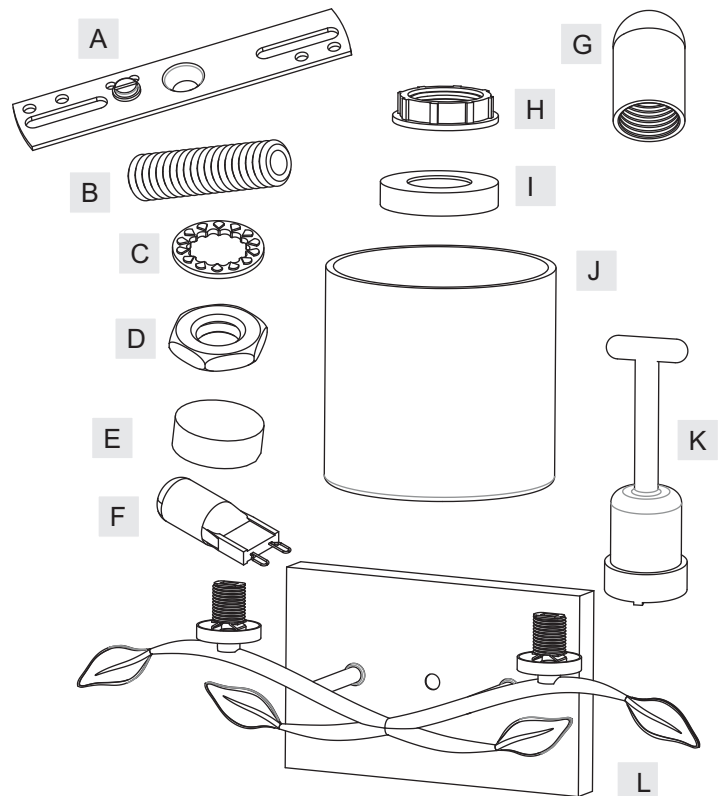
These instructions are provided for your safety. It is very important you read them completely before installing the fixture. We strongly recommend that a licensed, professional electrician perform the installation.

Disconnect fixture from power source before replacing bulbs. Make sure bulbs are given sufficient time to cool before removal. Do not subject glass parts to any shock while in operation or shattering may result.

Do not touch the bulb with bare hands use a cloth or glove.

### Package Contents

Part	Description	Quantity
A	Crossbar	1 pc.
B	Nipple	1 pc.
C	Lock Washer	1 pc.
D	Hex Nut	1 pc.
E	Mounting Ball	1 pc.
F	G9 Bulb	2 pcs.
G	Bulb Shield	2 pcs.
H	Socket Collar	2 pcs.
I	Steel Collar	2 pcs.
J	Shade	2 pcs.
K	Socket Collar Tool	1 pc.
L	Fixture Body	1 pc.

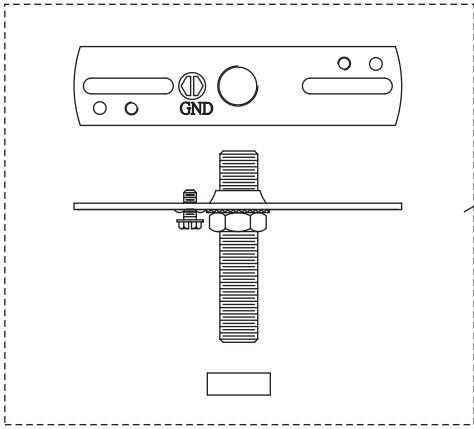


**Thank you for purchasing a Quoizel product.**

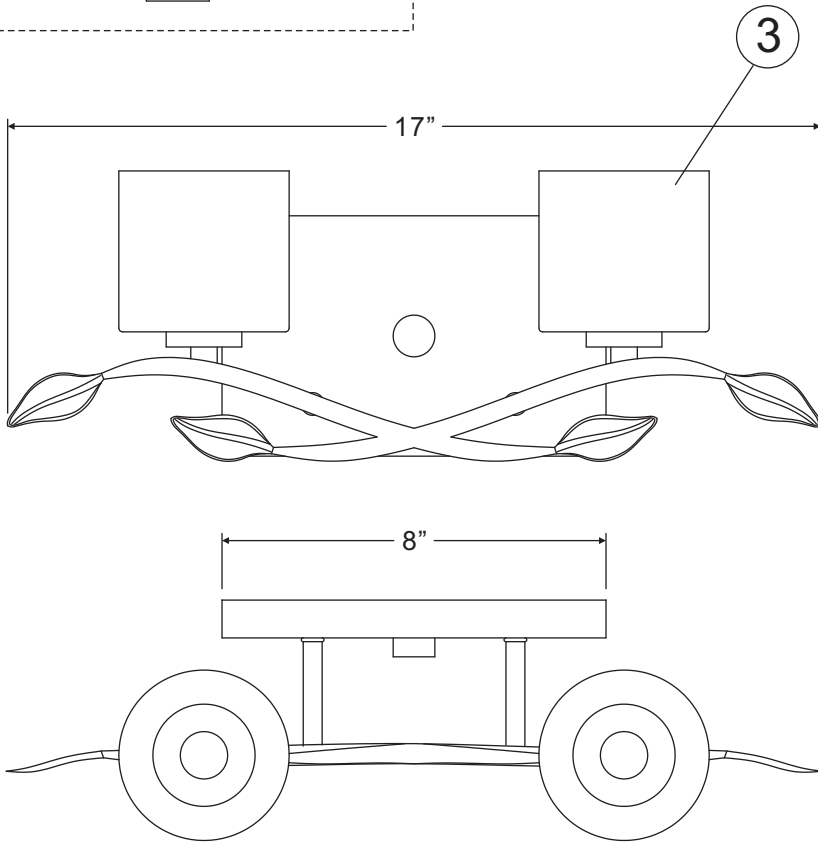
**Need assistance with parts or assembly? Call Quoizel customer service at 1-631-273-2700 or visit us on-line at [www. quoizel. com](http://www. quoizel. com)**

ERN8602IB

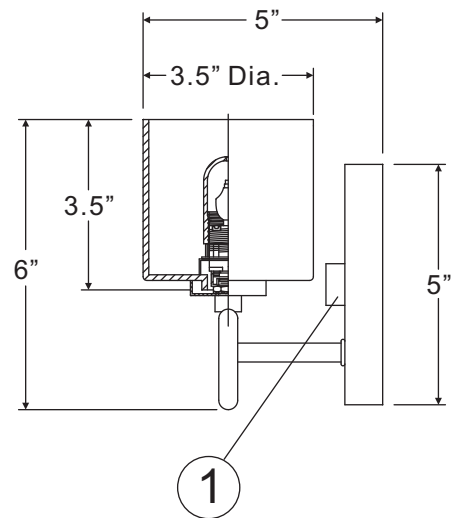
FINISH: IMPERIAL BRONZE



2



3



1



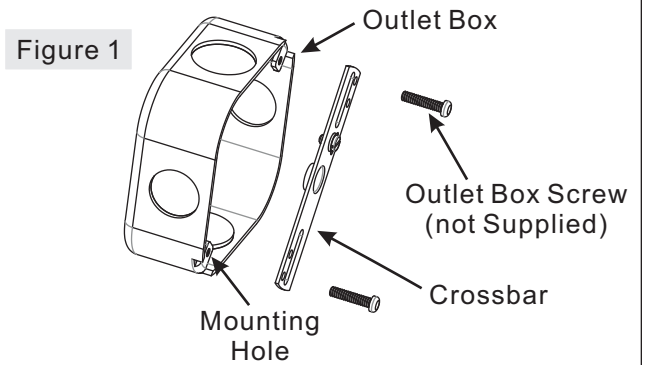
(2)75W Frosted G9  
Halogen bulbs  
(Supplied)

NOTE: ALL DIMENSIONS ARE ROUNDED UP TO THE NEAREST 1/2"

NO.	PART NUMBER	REPLACEMENT PART DESCRIPTION	REQ.
1	M2296LK	LOCK KNOB 0.75"D X 0.50"H	1
2	9513KIT	MTG HARDWARE 4"D	1
3	G2927SH	SHADE OPAL ETCHED GLS 3.5"D	2

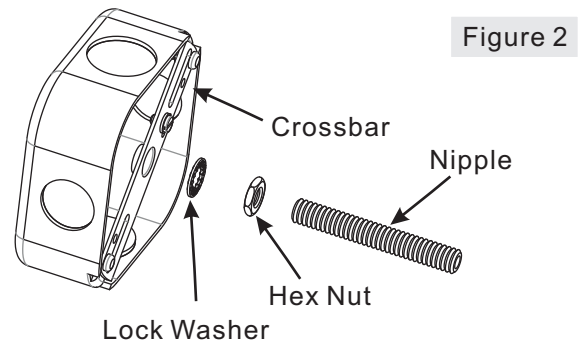
**STEP 1 – Attach Crossbar to Outlet Box**

- A. Secure the Crossbar (A) to the outlet box with outlet box screws (not supplied). Tighten until snug.



**STEP 2 – Attach Nipple to Crossbar**

- A. Thread one Hex Nut (D) onto the top end of the Nipple (B).  
 B. Place one Lock Washer (C) over the top end of the Nipple (B) and then thread the Nipple (B) into the center lock hole of the Crossbar (A).  
 C. Using pliers, thread the Hex Nut (D) against the Crossbar (A) and hand tighten until snug.



**Thank you for purchasing a Quozel product.**

**Need assistance with parts or assembly? Call Quozel customer service at 1-631-273-2700  
or visit us on-line at www. quozel. com**

### STEP 3 – Make Wire Connections

- A. Use standard wire connectors to make all wire connections. (Connectors are not included with fixture.) Strip and prepare wire ends according to instructions supplied with connectors.
- B. Connect White Supply Wire from the Outlet Box to White Wire from fixture.
- C. Connect Black (or Red) Supply Wire from the Outlet Box to Black Wire from fixture.
- D. Connect Ground Wire from the Outlet Box to Ground Wire from fixture.
- E. Twist connectors until wires are tightly joined together.
- F. Wrap each connection with approved electrical tape and carefully stuff all the connected wires into the Outlet Box.

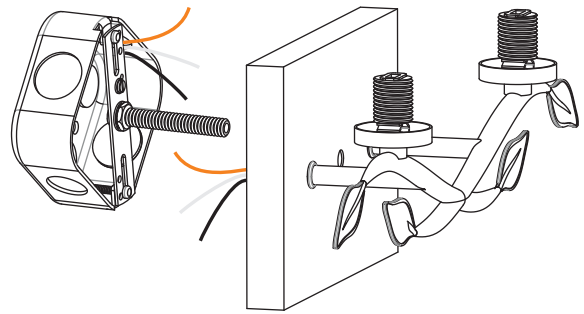


Figure 3

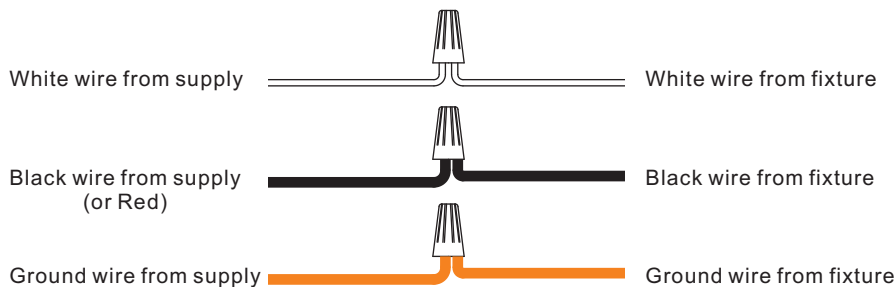


Figure 4

### STEP 4 – Attach Fixture Body to Nipple

- A. Place the Backplate of the Fixture Body (L) over the Nipple (B) and secure with the Mounting Ball (E). Hand tighten until snug.

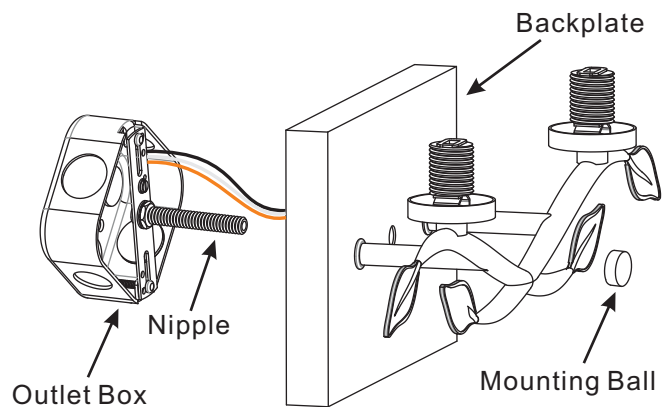
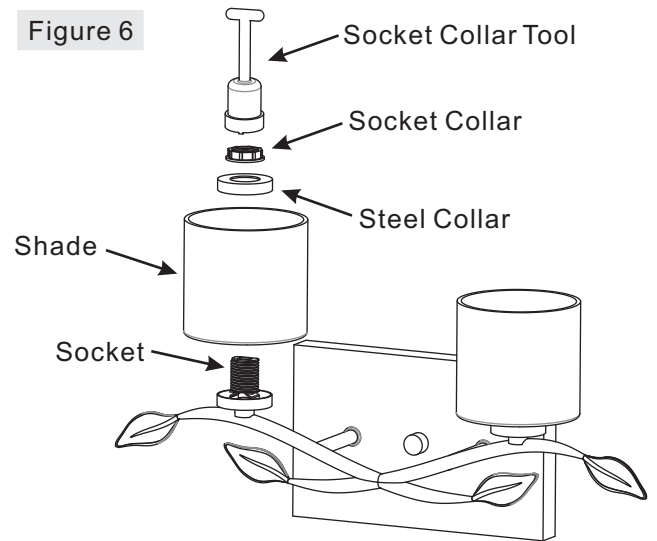


Figure 5

Thank you for purchasing a Quoizel product.  
Need assistance with parts or assembly? Call Quoizel customer service at 1-631-273-2700  
or visit us on-line at [www. quozel. com](http://www. quozel. com)

### STEP 5 – Attach Shade to Fixture Body

- A. Place the Shade (K) and the Steel Collar (I) over the Socket as shown. By using the Socket Collar Tool (K), thread the Socket Collar (H) onto the Socket to secure the Shade (J). Hand tighten until snug.



### STEP 6 – Install Bulb

- A. This fixture uses Frosted G9 Halogen bulbs with G9 base. Maximum 75 watts.  
B. Insert bulb and push snugly into place.  
C. Thread the Bulb Shield (G) onto the Socket and hand tighten until snug.  
**IMPORTANT:** Do not touch the bulb with bare hands use a cloth or glove.

Your fixture is now assembled and ready to use.  
Enjoy!

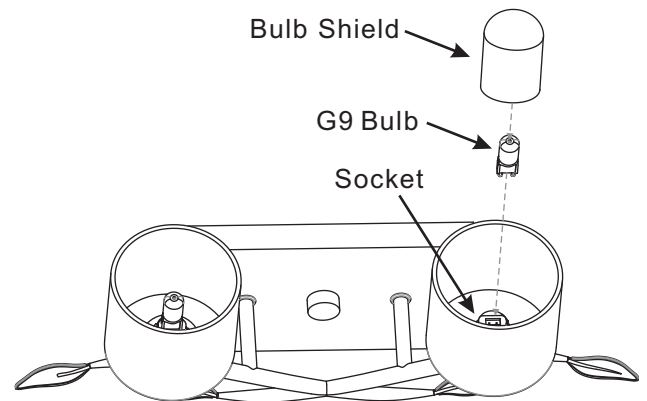


Figure 7

### CAUTION FOR BULB REPLACING

- A. When replace bulb, turn off power and allow lamp to cool. For safety purpose, wear gloves and eye protection.  
B. If bulb is scratched or cracked, DO NOT use the lamp to avoid breakage during use or installation.  
C. Use only in fixtures rated for lamps wattage and voltage.  
D. Lamp operate under high pressure generating intense heat. Prevent contact with liquid and combustible materials.

Thank you for purchasing a Quoizel product.  
Need assistance with parts or assembly? Call Quoizel customer service at 1-631-273-2700  
or visit us on-line at [www. quozel. com](http://www. quozel. com)