

Quoizel, Inc.
 6 Corporate Parkway
 Goose Creek, SC
 29445

Customer Service
 Phone 631.273.2700
 Fax 631.231.7102
 www.quoizel.com

Assembly Instruction Sheet #IS-CWN8305IB For Style CWN8305IB CWN8405IB

Tools Required: Flathead screwdriver, Phillips screwdriver, pliers, wire cutters, wire strippers, electrical tape, safety glasses.

Bulb Recommended: (1) Medium Base 75W Maximum

Estimated Assembly Time: 20-30 minutes

Preparation: Identify and inspect all parts before beginning installation. Check package content list and diagrams below to be sure all parts are present. If any parts are missing or damaged, do not attempt to assemble, install, or operate the fixture. Contact customer service for replacement parts.



Warnings and Cautions

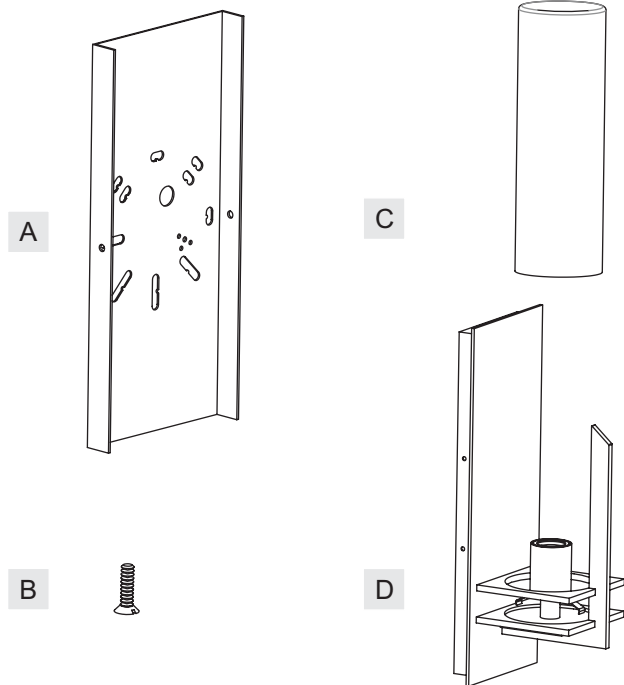
Turn off electricity at circuit breaker or main fuse box before installation. Consult a licensed electrician if in doubt.

These instructions are provided for your safety. It is very important you read them completely before installing the fixture. We strongly recommend that a licensed, professional electrician perform the installation.

Disconnect fixture from power source before replacing bulbs. Make sure bulbs are given sufficient time to cool before removal. Do not subject glass parts to any shock while in operation or shattering may result.

Package Contents

Part	Description	Quantity
A	Inner Backplate	1 pc.
B	Mounting Screw	4 pcs.
C	Shade	1 pc.
D	Fixture Body	1 pc.

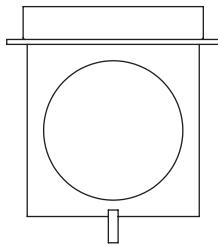
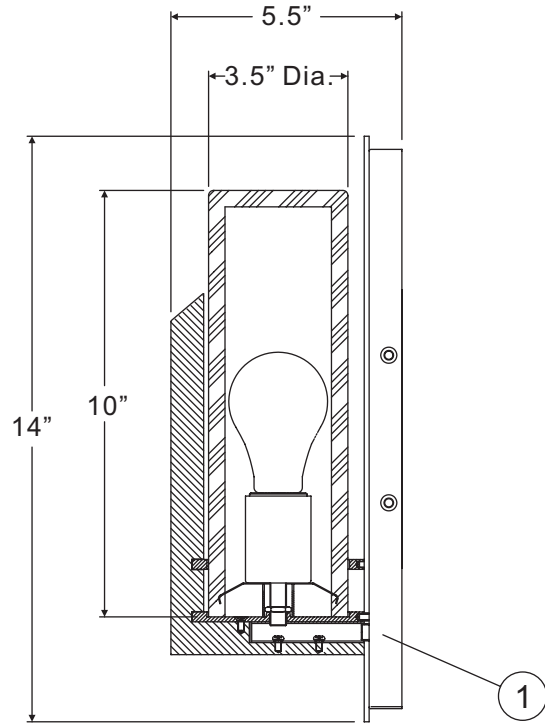
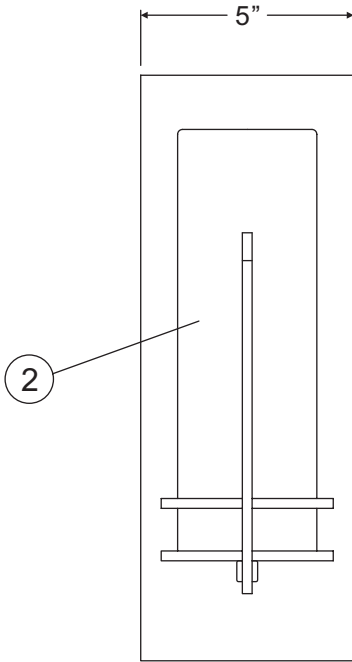
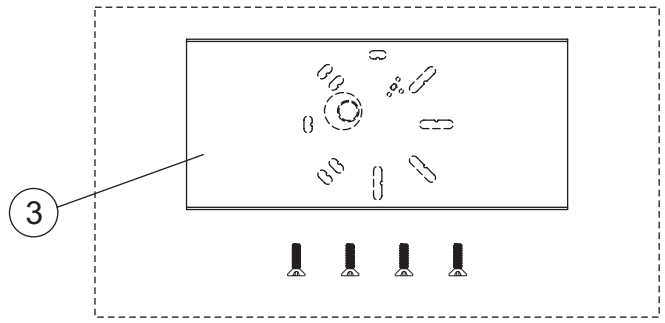


Thank you for purchasing a Quoizel product.

**Need assistance with parts or assembly? Call Quoizel customer service at 1-631-273-2700
 or visit us on-line at www.quoizel.com**

CWN8305IB

FINISH: IMPERIAL BRONZE



(1)75W Medium Base Bulb (Not Supplied)

NOTE: ALL DIMENSIONS ARE ROUNDED UP TO THE NEAREST 1/2"

NO.	PART NUMBER	REPLACEMENT PART DESCRIPTION	REQ.
1	18305IBCWN	BASE IMPERIAL BRONZE CWN8305IB	1
2	G3409SH	BUTTERSCOTCH ONEX SHADE	1
3	M280KTIB	MOUNTING KITS IMPERIAL BRONZE REPLACEMENT	1

STEP 1 – Attach Inner Backplate to Outlet Box

- A. Attach the Inner Backplate (A) to Outlet Box and secure by threading Outlet Box Screws (not supplied) into the Mounting Holes on the Outlet Box. Tighten until snug.

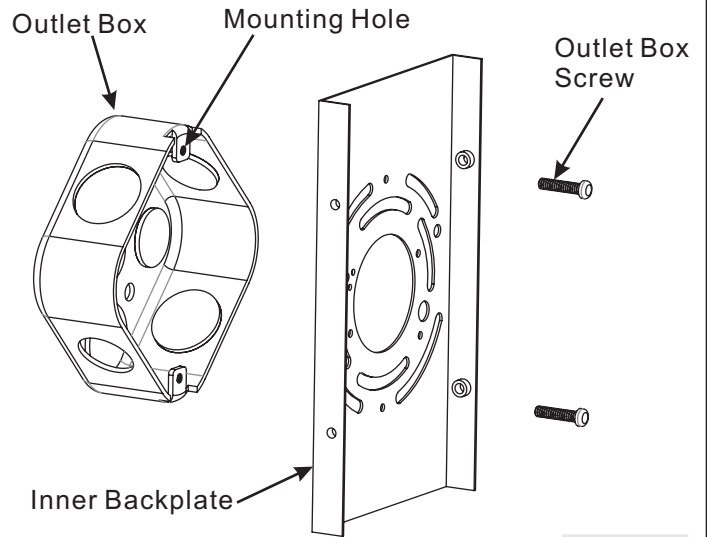


Figure 1

STEP 2 – Make Wire Connections

- A. Use standard wire connectors to make all wire connections. (Connectors are not included with fixture.) Strip and prepare wire ends according to instructions supplied with connectors.
 B. Connect White Supply Wire from the Outlet Box to White Wire from fixture.
 C. Connect Black (or Red) Supply Wire from the Outlet Box to Black Wire from fixture.
 D. Connect Ground Wire from the Outlet Box to Ground Wire from fixture.
 E. Twist connectors until wires are tightly joined together.
 F. Wrap each connection with approved electrical tape and carefully stuff all the connected wires into the Outlet Box.

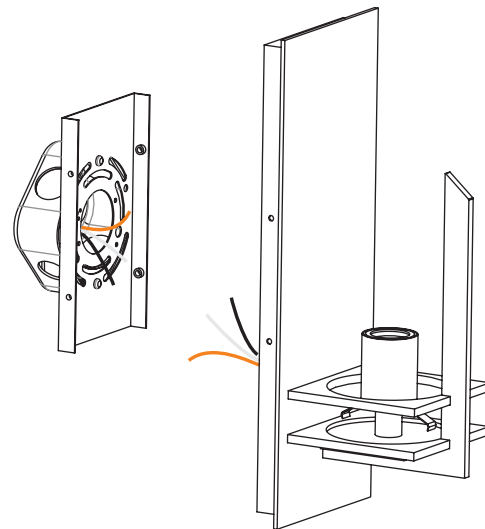


Figure 2

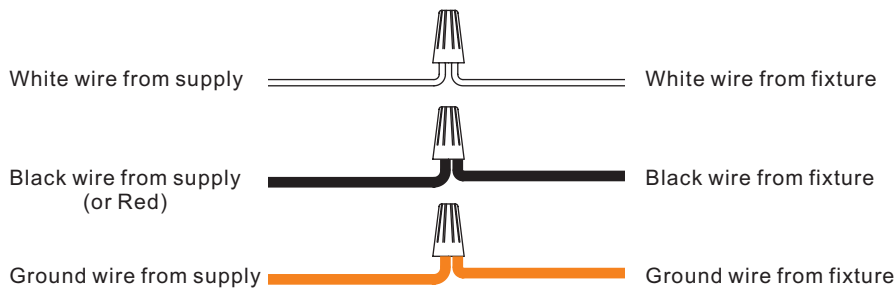
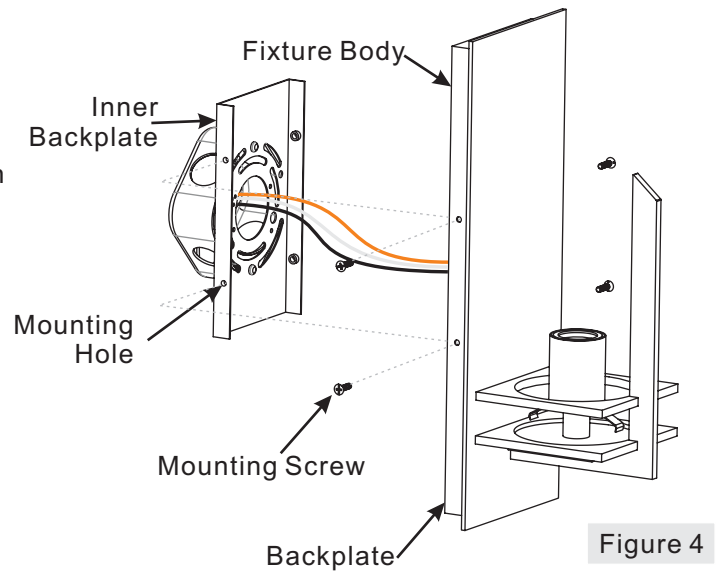


Figure 3

Thank you for purchasing a Quoizel product.
Need assistance with parts or assembly? Call Quoizel customer service at 1-631-273-2700
or visit us on-line at www. quozel. com

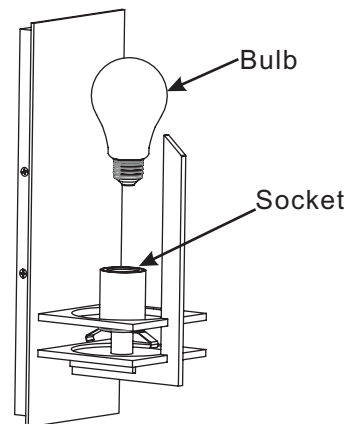
STEP 3 – Attach Fixture Body to Inner Backplate

- A. Place the backplate of the Fixture Body (D) onto the Inner Backplate (A). Line up holes on both of them. Thread Mounting Screws (B) into the mounting holes on the Inner Backplate (A) and hand tighten until snug to secure them.



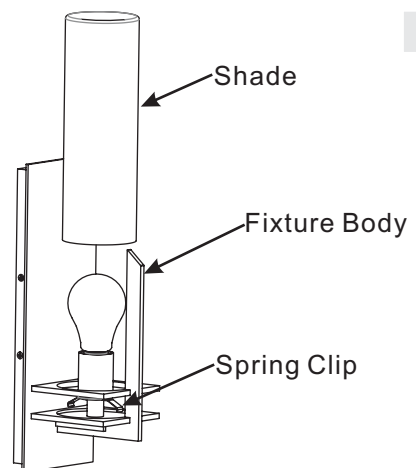
STEP 4 – Install Bulb and Bulb Shield

- A. Install standard bulb with a standard screw base. Maximum 75 watts.
B. Insert bulb and screw properly into place.



STEP 5 – Attach Shade to Fixture Body

- A. Place the bottom hole on the Shade (C) over Socket. The Spring Clips will engage the Shade at the edge of the hole.



Thank you for purchasing a Quozel product.
Need assistance with parts or assembly? Call Quozel customer service at 1-631-273-2700
or visit us on-line at www. quozel. com