

Assembly Instruction Sheet #IS-TF7110Z For Style TF7110Z

Quoizel, Inc.
 6 Corporate Parkway
 Goose Creek, SC
 29445

Customer Service
 Phone 631.273.2700
 Fax 631.231.7102
 www. quoizel. com

Tools Required: None

Bulb Recommended: (1) T3 Bi Pin Bulb 50W Maximum (Supplied)

Estimated Assembly Time: 15-20 minutes

Preparation: Identify and inspect all parts before beginning installation. Check package content list and diagrams below to be sure all parts are present. If any parts are missing or damaged, do not attempt to assemble, install, or operate the fixture. Contact customer service for replacement parts.

Warnings and Cautions

Turn off electricity at circuit breaker or main fuse box before installation. Consult a licensed electrician if in doubt.

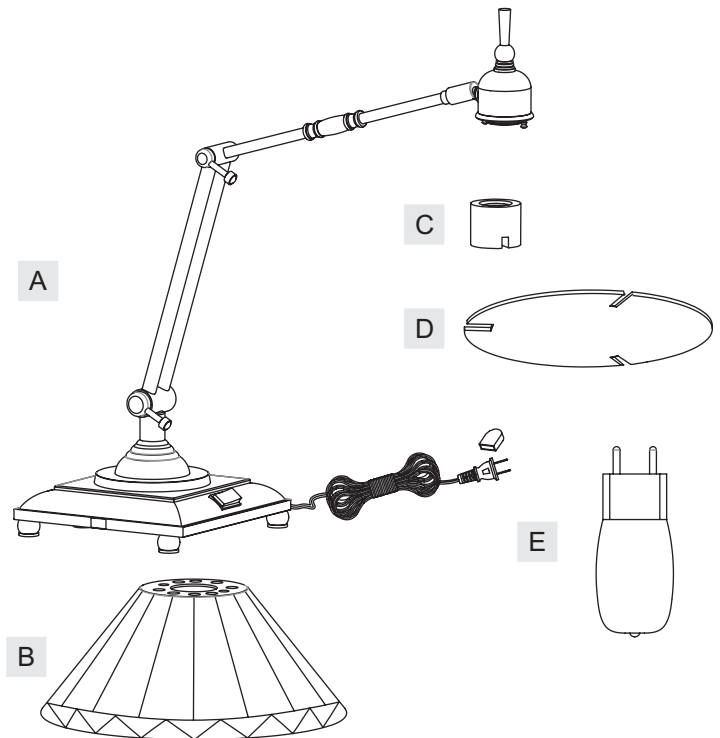
These instructions are provided for your safety. It is very important you read them completely before installing the fixture. We strongly recommend that a licensed, professional electrician perform the installation.

Disconnect fixture from power source before replacing bulbs. Make sure bulbs are given sufficient time to cool before removal. Do not subject glass parts to any shock while in operation or shattering October result.

Do not touch the bulb with bare hands use a cloth or glove.

Package Contents

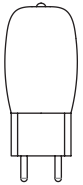
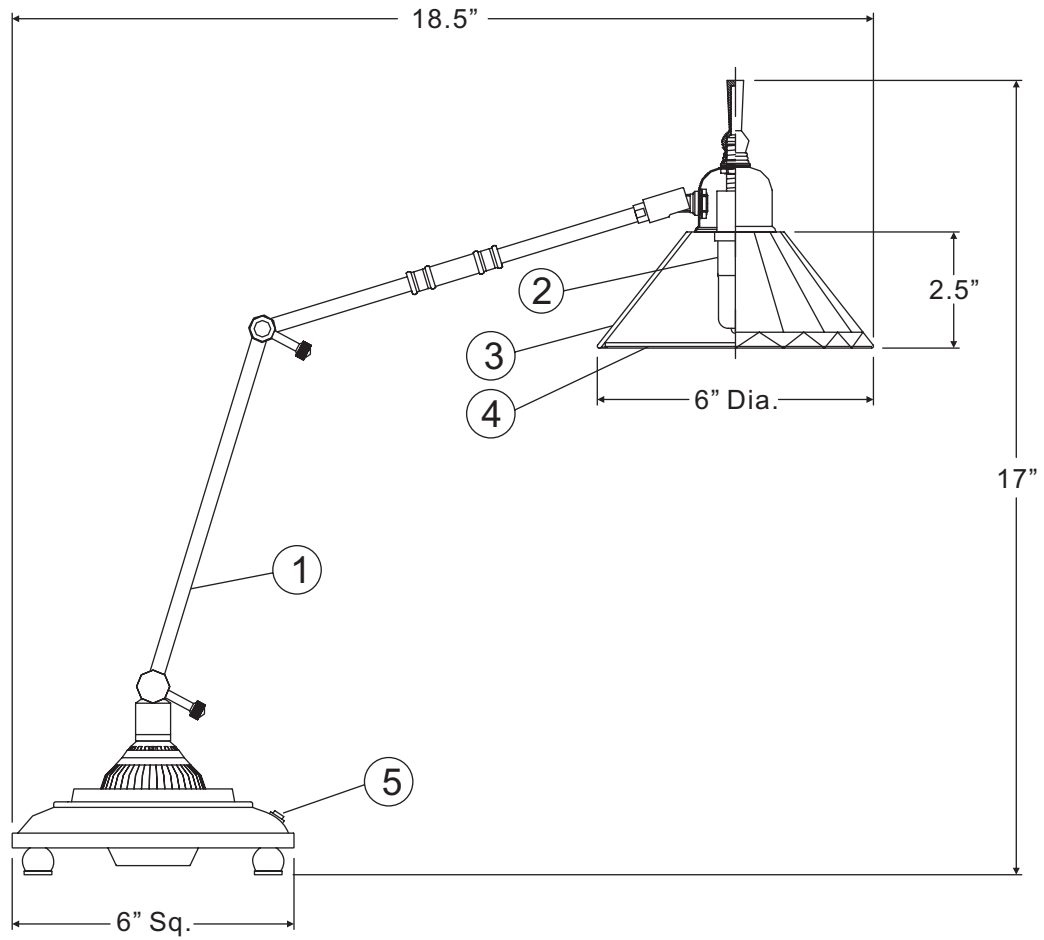
Part	Description	Quantity
A	Fixture Body	1 pc.
B	Shade	1 pc.
C	Lock Ball	2 pcs.
D	Diffuser	1 pc.
E	T3 Bulb	1 pc.



Thank you for purchasing a Quoizel product.
Need assistance with parts or assembly? Call Quoizel customer service at 1-631-273-2700
or visit us on-line at www. quoizel. com

TF7110Z

FINISH: MEDICI BRONZE



(1)50W T3 BI
PIN BULB
(Supplied)

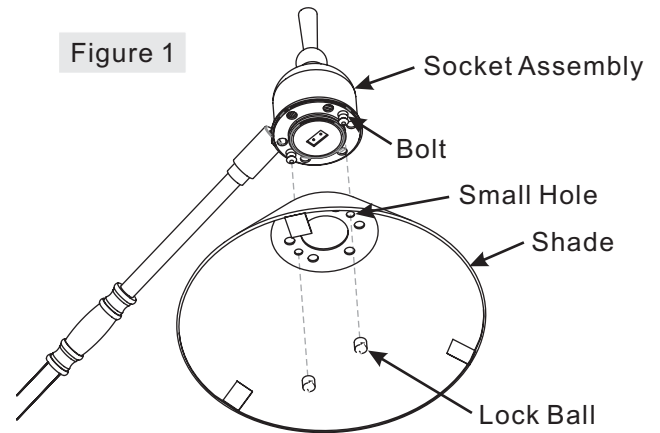
NOTE: ALL DIMENSIONS ARE ROUNDED UP TO THE NEAREST 1/2"

NO.	PART NUMBER	REPLACEMENT PART DESCRIPTION	REQ.
1	97110ZTF	BASE HALOGEN TABLE TASK LAMP	1
2	I816SC	BULB 50W 120V HALOGEN GY6.35 CLEAR	1
3	G6220SH1	GLASS TIFFANY TASK W/TABS	1
4	G262LEX	LENS GLASS 4-7/8X1/8 SAFETY	1
5	K729SWK	SWITCH REPLACEMENT TF7110	1

Assembly Instruction Sheet #IS-TF7110Z For Style TF7110Z

STEP 1 – Install Shade

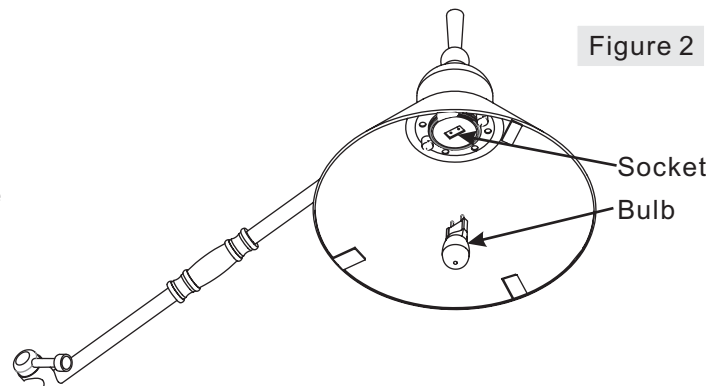
- A. Attach the Shade (B) to the Socket Assembly. Pass the Bolts on the Socket Assembly through the Small Holes on the bottom of the Shade (B). Secure by threading the Lock Balls (C) onto the Bolts. Hand tighten until snug.



STEP 2 – Install Bulb

- A. This fixture uses T3 Bi Pin bulb. Maximum 50 watts.
B. Insert bulb and push snugly into place.

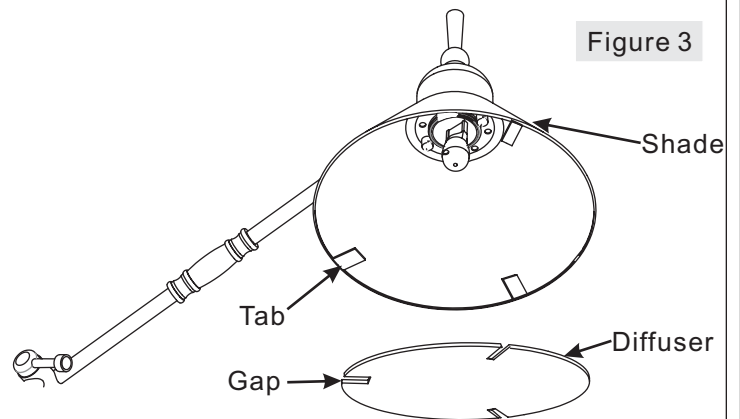
IMPORTANT: Do not touch the bulb with bare hands use a cloth or glove.



STEP 3 – Install Diffuser to Shade

- A. Pass the Gaps on the Diffuser (D) over the Tabs on the Shade (B) and then rotate the Diffuser (D). Do not free your hands until the diffuser is seated onto the tabs.

Your fixture is now assembled and ready to use.
Enjoy!



CAUTION FOR BULB REPLACING

- A. When replace bulb, turn off power and allow lamp to cool. For safety purpose, wear gloves and eye protection.
B. If bulb is scratched or cracked, DO NOT use the lamp to avoid breakage during use or installation.
C. Use only in fixtures rated for lamps wattage and voltage.
D. Lamp operate under high pressure generating intense heat. Prevent contact with liquid and combustible materials.

Thank you for purchasing a Quozel product.
Need assistance with parts or assembly? Call Quozel customer service at 1-631-273-2700
or visit us on-line at www. quozel. com