

Assembly Instruction Sheet #IS-Q1072TPN For Style Q1072TPN

Quoizel, Inc.
 6 Corporate Parkway
 Goose Creek, SC
 29445

Customer Service
 Phone 631.273.2700
 Fax 631.231.7102
 www. quoizel. com

Tools Required: None

Bulb Recommended: (1) Medium Base (3-Way) 100W Maximum

Estimated Assembly Time: 15-20 minutes

Preparation: Identify and inspect all parts before beginning installation. Check package content list and diagrams below to be sure all parts are present. If any parts are missing or damaged, do not attempt to assemble, install, or operate the fixture. Contact customer service for replacement parts.



Warnings and Cautions

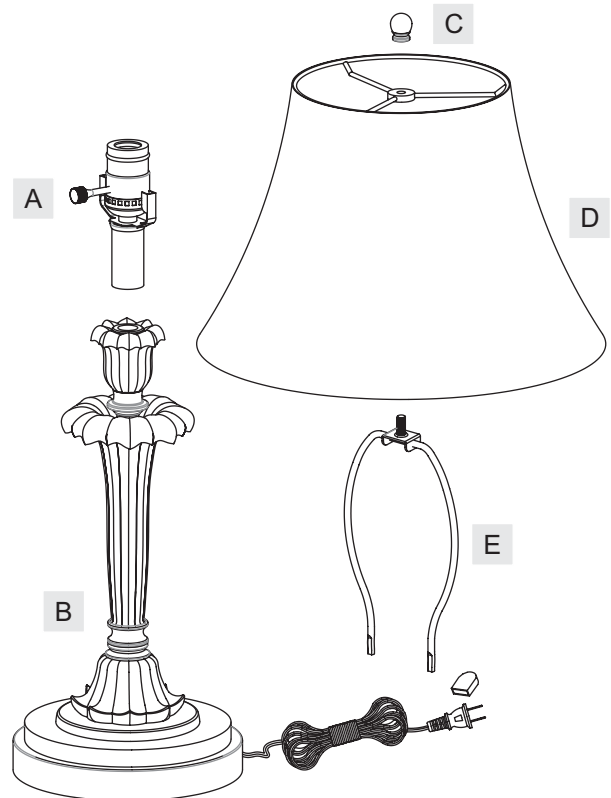
Turn off electricity at circuit breaker or main fuse box before installation. Consult a licensed electrician if in doubt.

These instructions are provided for your safety. It is very important you read them completely before installing the fixture. We strongly recommend that a licensed, professional electrician perform the installation.

Disconnect fixture from power source before replacing bulbs. Make sure bulbs are given sufficient time to cool before removal. Do not subject glass parts to any shock while in operation or shattering may result.

Package Contents

Part	Description	Quantity
A	Socket Assembly	1 pc.
B	Base	1 pc.
C	Finial	1 pc.
D	Shade	1 pc.
E	Harp	1 pc.

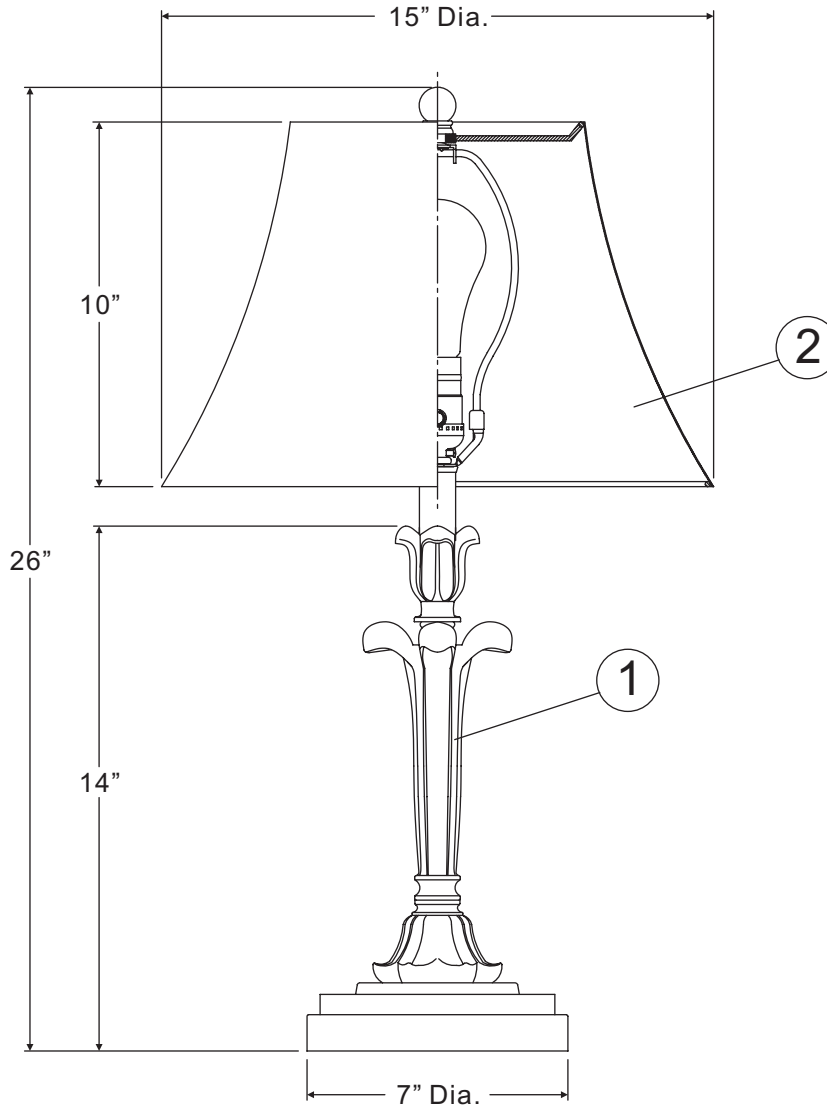


Thank you for purchasing a Quoizel product.

Need assistance with parts or assembly? Call Quoizel customer service at 1-631-273-2700
 or visit us on-line at www. quoizel. com

Q1072TPN

FINISH: PALLADIAN BRONZE



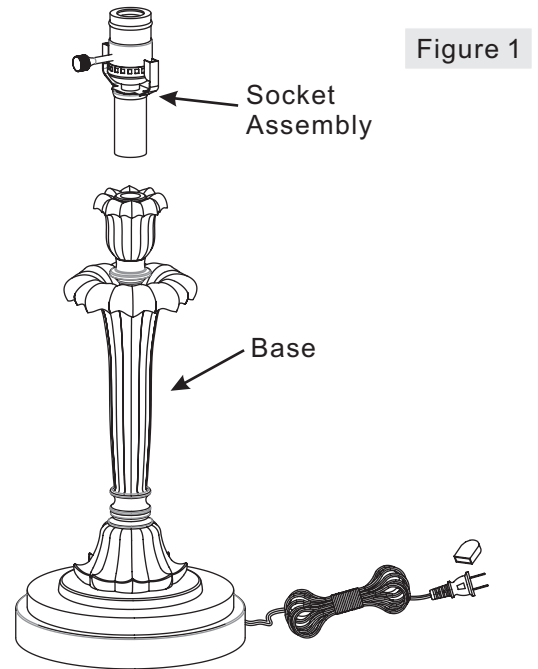
(1) 100W Medium Base (3-Way) Bulb (Not Supplied)

NOTE: ALL DIMENSIONS ARE ROUNDED UP TO THE NEAREST 1/2"

NO.	PART NUMBER	REPLACEMENT PART DESCRIPTION	REQ.
1	11072TPNQ	BASE Q1072TPN	1
2	S1335CR	SHADE CREAM 10.5" X 15" X 8"	1

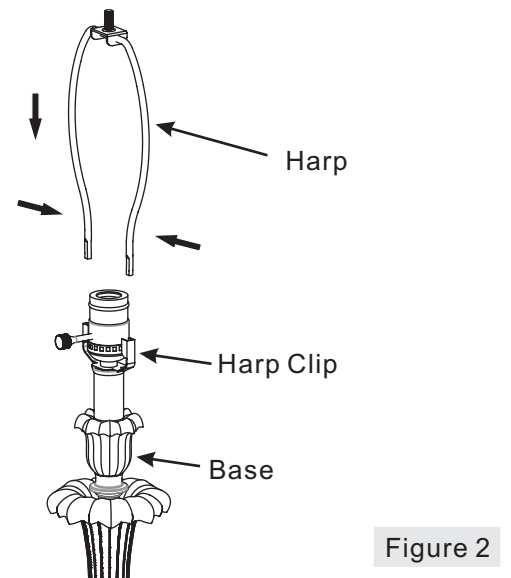
STEP 1 – Install Socket Assembly

- A. Thread the end of the Socket Assembly (A) onto the top end of the Base (B). Hand tighten until snug.



STEP 2 – Install the Harp

- A. Install the Harp (E) by pressing the ends of the Harp (E) into the Harp Clips as shown.



Thank you for purchasing a Quoizel product.
Need assistance with parts or assembly? Call Quoizel customer service at 1-631-273-2700
or visit us on-line at www. quozel. com

STEP 3 – Install Shade

- A. Place the Shade (D) over the top end of the Harp (E) and secure with the Finial (C). Hand tighten until snug.

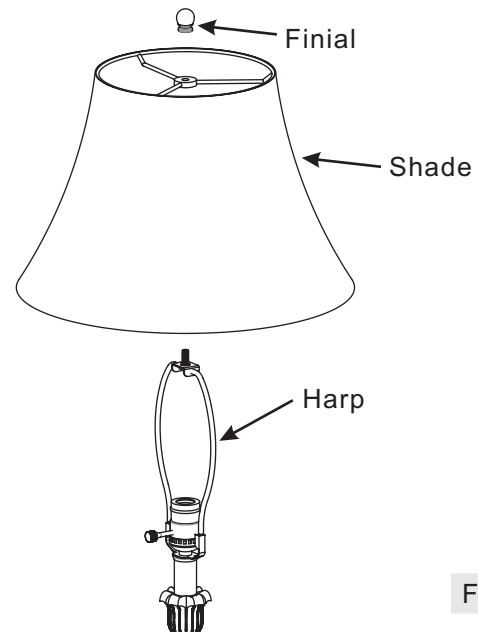


Figure 3

STEP 4 – Install Bulb

- A. This fixture uses standard bulb (3-Way) with medium screw base. Maximum 100 watts.
B. Insert bulb and screw snugly into place.

Your fixture is now assembled and ready to use. Enjoy!

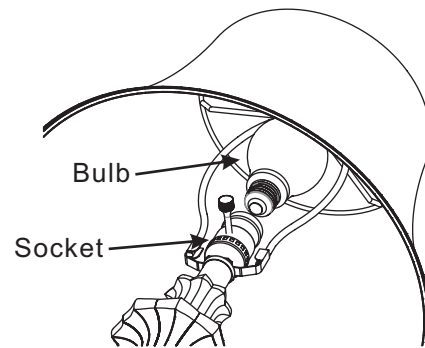


Figure 4

**Thank you for purchasing a Quoizel product.
Need assistance with parts or assembly? Call Quoizel customer service at 1-631-273-2700
or visit us on-line at www. quozel. com**