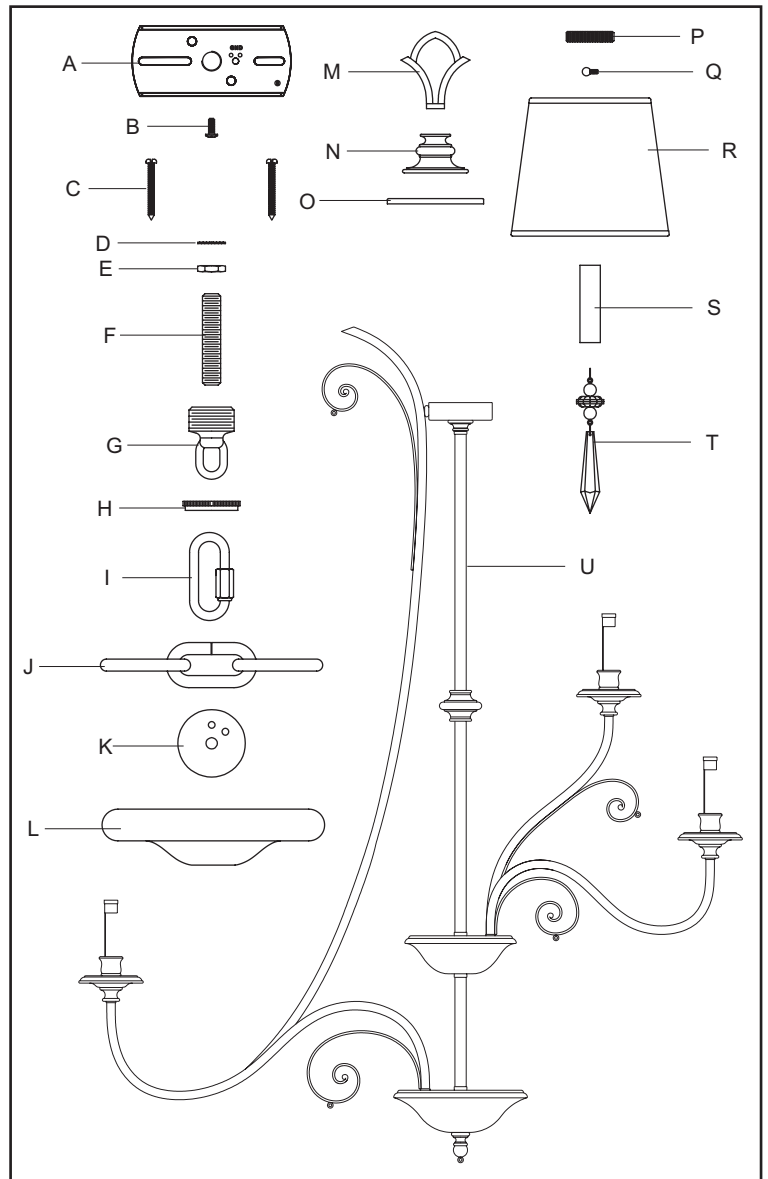


PACKAGE CONTENTS

ISSUED 02-2010

Part	Description	Quantity
A	Crossbar	1pc
B	Green Ground Screw	1pc
C	Mounting Screw (Independent Mounting)	2pcs
D	Lock Washer	2pcs
E	Hex Nut (1/4 IPS Nipple)	2pcs
F	Nipple (1/4 IPS)	1pc
G	Canopy Chain Loop	1pc
H	Canopy Lock Ring	1pc
I	Quick Link	2pcs
J	Fixture Chain	1pc
K	Tuck Washer	1pc
L	Ceiling Canopy	1pc
M	Fixture Loop	1pc
N	Support Part	1pc
O	Fixture Cover	1pc
P	Nipple (1/8IP)	1pc
Q	Lock Screw	6pcs
R	Shade	15pcs
S	Candle Cover	15pcs
T	78mm Crystal Pendant	22pcs
U	Fixture Assembly	1pc



! WARNINGS AND CAUTIONS

WARNING:

- Before beginning the installation, turn off electricity at the circuit breaker box or the main fuse box by switching off the circuit breaker or removing the fuse.

CAUTION:

- These instructions are provided for your safety. It is very important that they are read completely before the installation of your fixture. We strongly recommend that a professional electrician install the fixture.
- Disconnect fixture from the power source before replacing the bulb(s), making sure the bulb(s) had sufficient time to cool down. DO NOT subject the lamp to any shock while lit as shattering of lamp may result.

PREPARATION

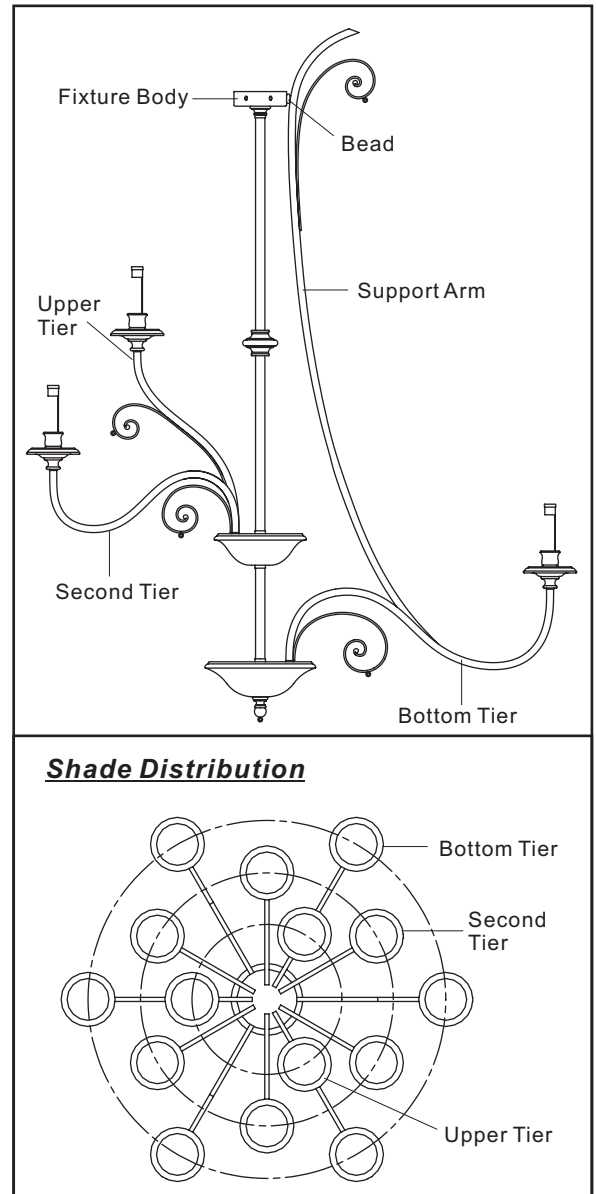
STYLE NUMBER: KD5015MM

- Before beginning installation of product, make sure all parts are present. Compare parts with package contents list and diagram above. If any part is missing or damaged, do not attempt to assemble, install or operate the product. Contact customer service for replacement part.
- Estimated Assembly Time : 30 - 45 minutes
- Tools Required for Assembly (not included) : Flathead screwdriver, Phillips screwdriver, Pliers, Electrical tape, Wire cutters, Safety glasses & 15, 60 Watt, Type - A medium base Bulbs.
- Helpful Tools (not included) : Wire Strippers.

INSTALLATION INSTRUCTIONS

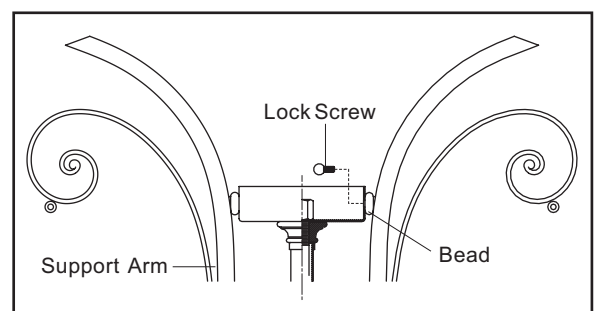
STEP 1 :

- a. Unfold Support Arms to proper locations according to the illustration Shade Distribution. Please attach the Bead on the top end of the Bottom Tier to the hole on the side of the Fixture Body after unfolding.



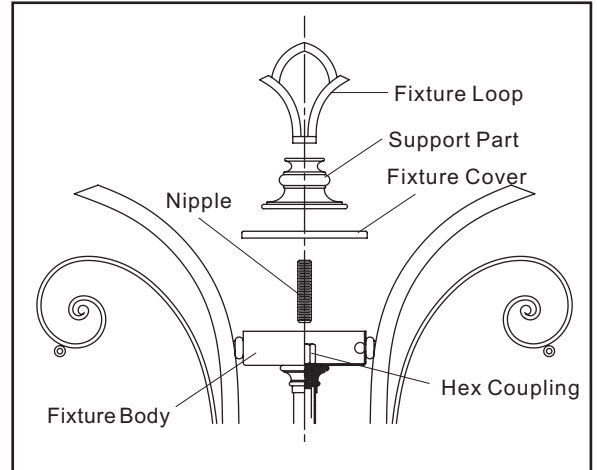
STEP 2 :

- a. Thread Lock Screws into the Bead on the top of the bottom Support Arm. Hand-tighten until snug.



STEP 3 :

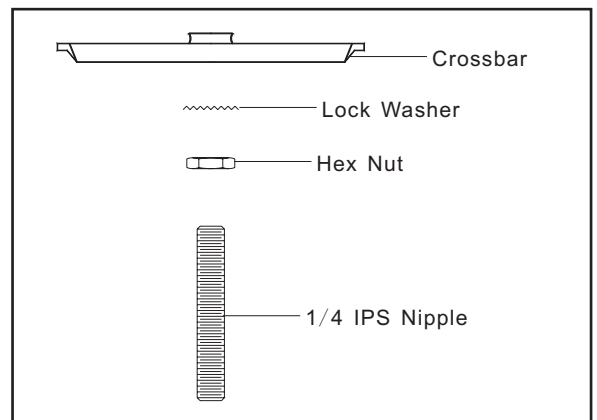
- a. Screw the Nipple into the Hex Coupling inside of the Fixture Body. Tighten until snug.
- b. Place the Fixture cover and the Support Part over the Nipple. Secure them by threading the Fixture Loop onto the top end of the Nipple. Hand-tighten until snug.



STEP 4:

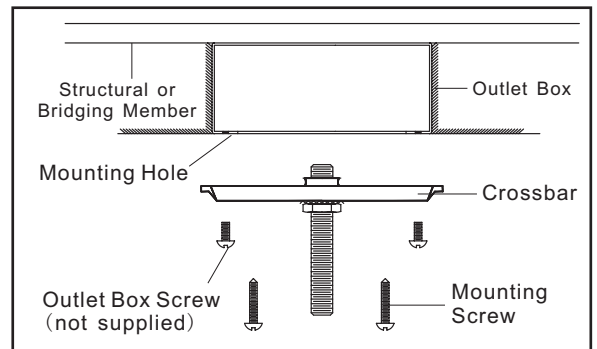
* Plier is required on this step.

- a. Thread one Hex Nut onto top end of the Nipple.
- b. Place one Lock Washer over the top end of the Nipple and then thread the Nipple into the center hole of the Crossbar. Hand tighten until snug.
- c. Using pliers, thread the Hex Nut against the Crossbar and hand tighten until snug.



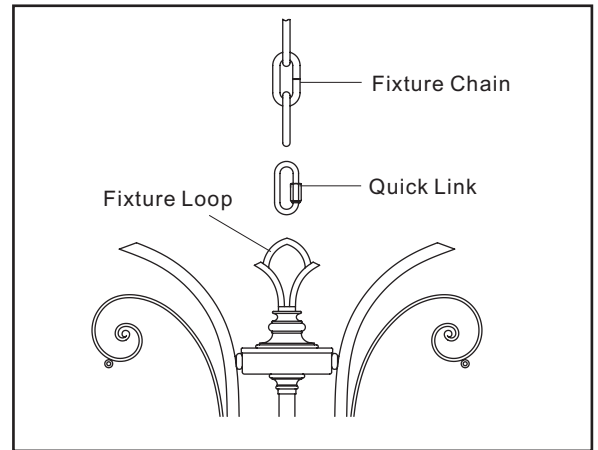
STEP 5:

- a. Drill a 5/8" diameter clearance hole on the top inside center of the Outlet Box and through the Structural Support Member.
- b. Place Crossbar onto the Outlet box and line up Mounting Holes with a set of holes on Crossbar.
- c. Thread Outlet Box Screws into the mounting holes on the Outlet Box and tighten until snug to secure the Crossbar.
- d. Using portable screwdriver, thread Mounting Screws into the Structural or Bridging Member and tighten until snug.



STEP 6:

- a. Locate the Fixture Chain and attach one end of it to the Fixture Loop at the top of the Fixture with a Quick Link Connector.
- b. Decide the length of the chain needed for your application. You will be required to remove excess links with bolt cutters.

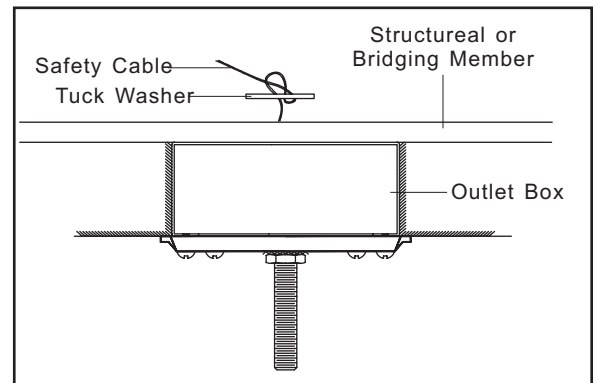


STEP 7:

- a. Unravel the Fixture Wires, Ground Wires, Ground Wires and Safety Cable.
- b. Pass the wires through alternating links on the chain. Proceed to pass the wires through the following mounting components in this turn: Canopy Lock Ring, Ceiling Canopy, Canopy Chain Loop, Lock Washer and Hex Nut, Nipple and Crossbar.

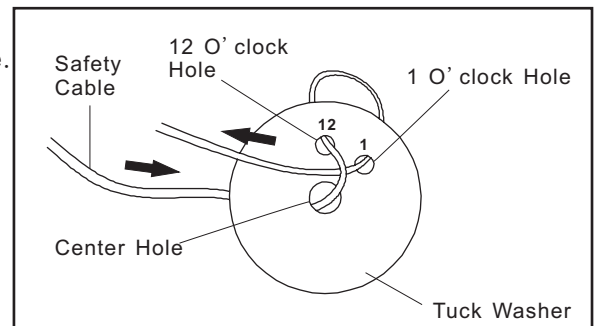
STEP 8:

- a. Work the Safety Cable end through the Fixture Chain, alternating every other link. Proceed to pass the Safety Cable end through the Nipple, Crossbar and Outlet Box. Make up the Tuck Washer Knot, refer to Step 9. Pull all of excess cable through all of the holes until the Tuck Washer is very close to the opening at the end of the 3/8-18 Pipe. Remove as much slack as possible out of the Tuck Washer. About 1/2" of slack between Tuck Washer and the hole is acceptable.



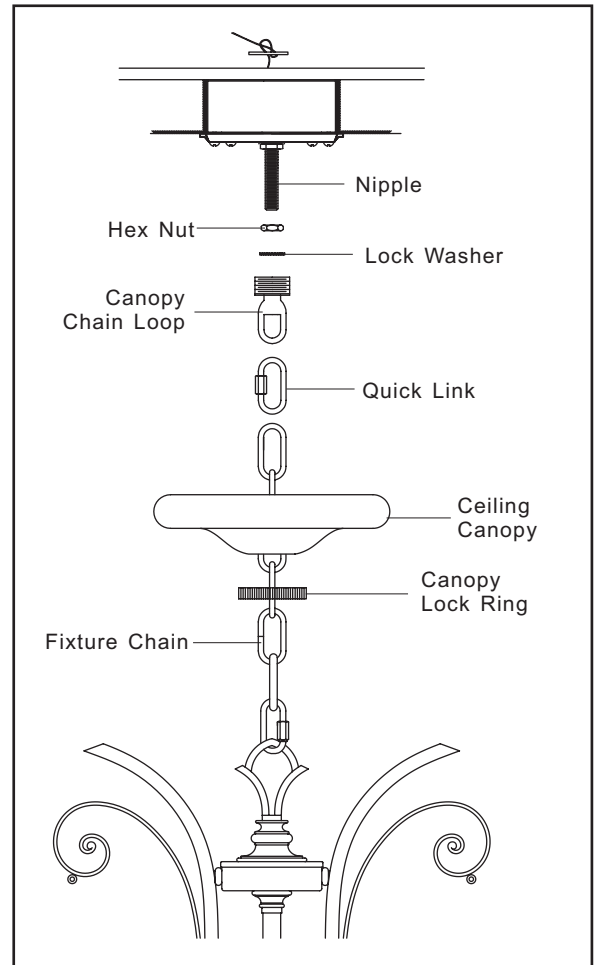
STEP 9:

- a. Pull all of the Safety Cable up through the Center Hole.
- b. Push the Cable down through the 12 O' clock Hole. Leaving 1/2" of slack.
- c. Push the Cable up through the 1 O' clock Hole and tuck it under the cable between the Center Hole and the 12 O' clock Hole.



STEP 10:

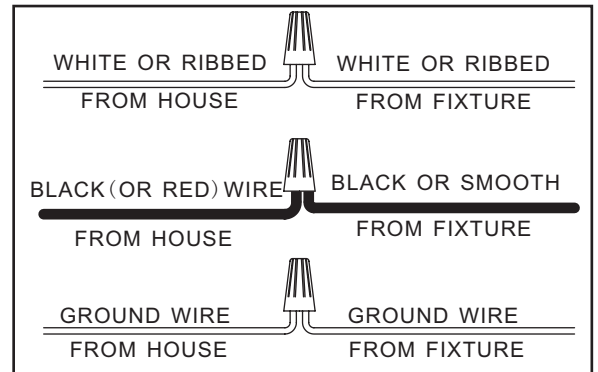
- a. Thread Hex Nut onto the end of the Nipple and then place Lock Washer over the end of the Nipple. Thread the Canopy Chain Loop onto the end of the Nipple.
- b. Using plier, thread the Hex Nut against the Canopy Chain Loop and tighten until snug.
- c. Attach the top end of the Fixture Chain onto Canopy Chain Loop by using Quick Link.
- d. Refer to Step 11 – Wire Connections to connect wires.
- e. Push the Ceiling Canopy upward over the Outlet Box.
- f. Thread the Canopy Lock Ring onto the Canopy Chain Loop and tighten until snug to secure the Ceiling Canopy.



STEP 11:

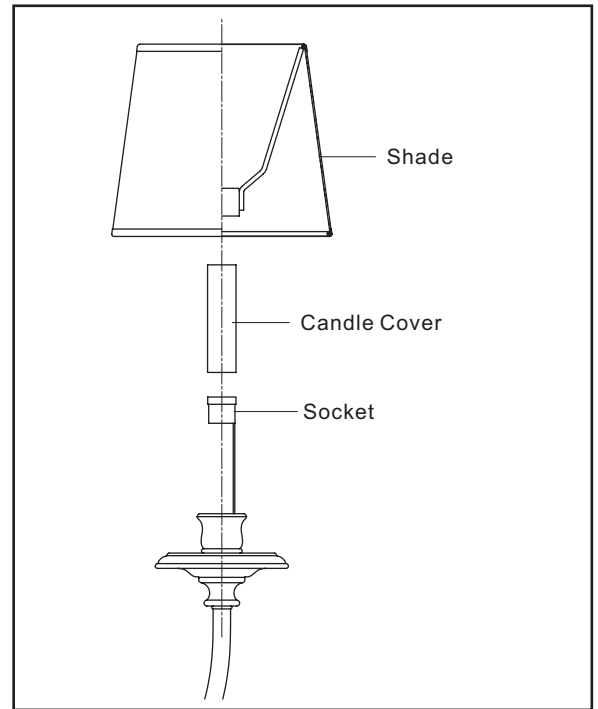
*Use Wire Connectors (not supplied) to connect the wires.

- a. Connect the House Ground Wire to the Fixture Ground Wire.
- b. Connect the House White (or Ribbed) Wire to the Fixture Supply Wire (White or Ribbed Side).
- c. Connect the House Black (or Red) Wire to the Fixture Supply Wire (Black or Smooth Side).
- d. Wrap each connection with approved electrical tape and carefully stuff all of the connected wires into the Outlet Box.



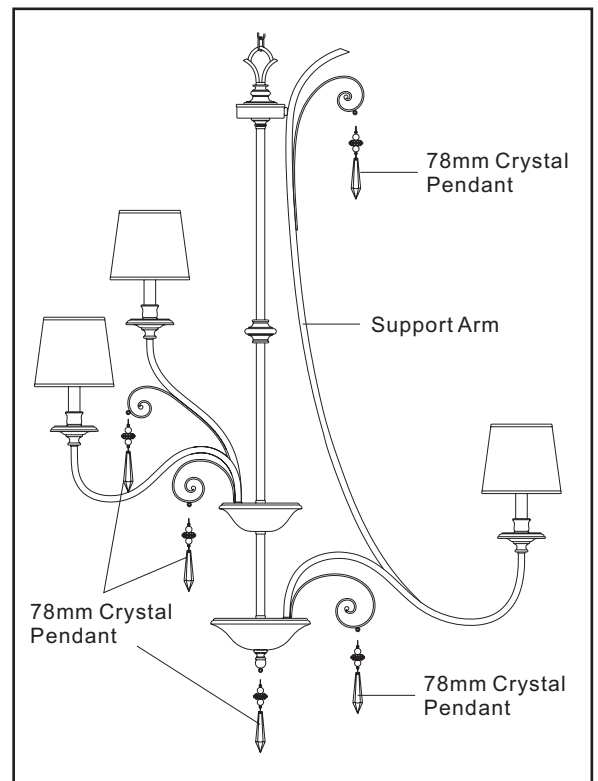
STEP 13:

- a. Place the Candle Cover over the Socket. Then place the Shade onto the top end of the Candle Cover.



STEP 14:

- a. Attach 78mm Crystal Pendants onto the hangers on the Support Arms and the bottom center of the fixture.



STEP 15:

- a. Install correct Bulbs referring to fixture markings and/or labels for maximum wattage.

Your installation is completed now. Restore electricity. Retain this sheet for future reference.