

# Assembly Instruction Sheet #IS-NN1509WT

## For Style NN1509WT

Quozel, Inc.  
 6 Corporate Parkway  
 Goose Creek, SC  
 29445

Customer Service  
 Phone 631.273.2700  
 Fax 631.231.7102  
 www. quozel. com

**Tools Required:** Flathead screwdriver, Phillips screwdriver, pliers, wire cutters, wire strippers, electrical tape, safety glasses.

**Bulb Recommended:** (1) G9 Base 75W Maximum

**Estimated Assembly Time:** 20-30 minutes

**Preparation:** Identify and inspect all parts before beginning installation. Check package content list and diagrams below to be sure all parts are present. If any parts are missing or damaged, do not attempt to assemble, install, or operate the fixture. Contact customer service for replacement parts.



### Warnings and Cautions

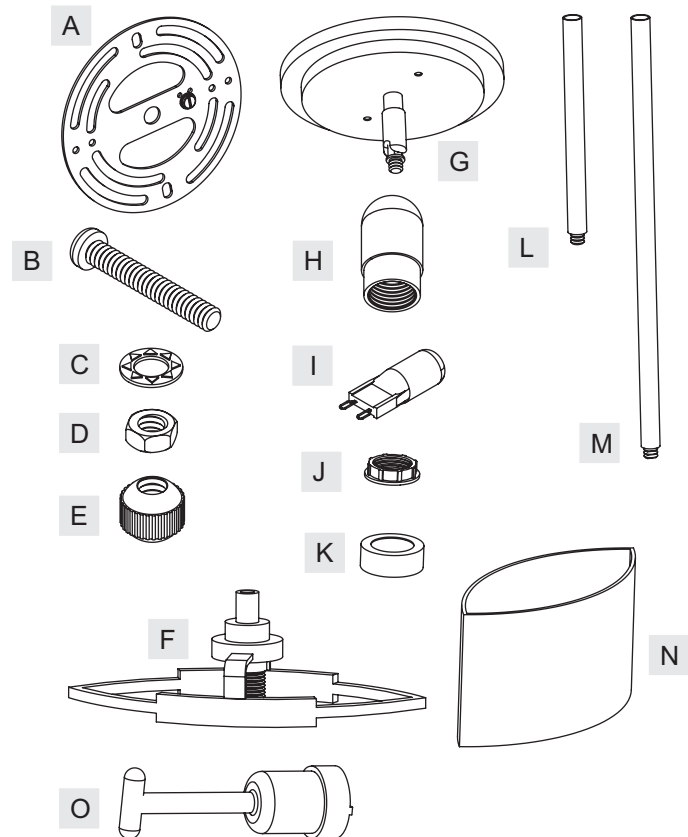
Turn off electricity at circuit breaker or main fuse box before installation. Consult a licensed electrician if in doubt.

These instructions are provided for your safety. It is very important you read them completely before installing the fixture. We strongly recommend that a licensed, professional electrician perform the installation.

Disconnect fixture from power source before replacing bulbs. Make sure bulbs are given sufficient time to cool before removal. Do not subject glass parts to any shock while in operation or shattering may result.

### Package Contents

Part	Description	Quantity
A	Crossbar	1 pc.
B	Mounting Screw	2 pcs.
C	Lock Washer	2 pcs.
D	Hex Nut	2 pcs.
E	Mounting Ball	2 pcs.
F	Socket Assembly	1 pc.
G	Ceiling Canopy	1 pc.
H	Bulb Shield	1 pc.
I	G9 Bulb	1 pc.
J	Socket Collar	1 pc.
K	Steel Collar	1 pc.
L	6" Rod	2 pcs.
M	12" Rod	2 pcs.
N	Shade	1 pc.
O	Socket Collar Tool	1 pc.

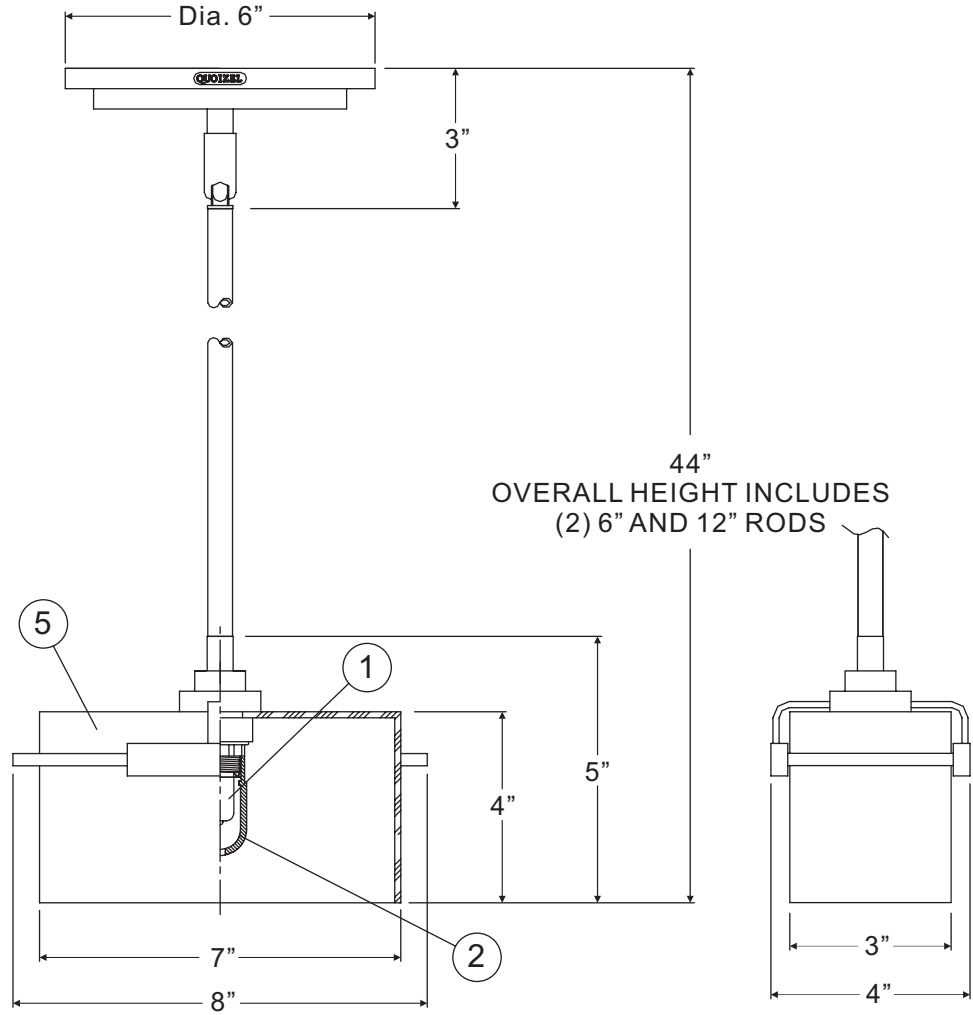
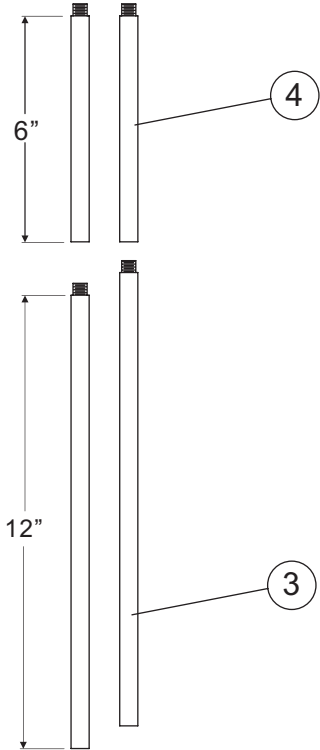
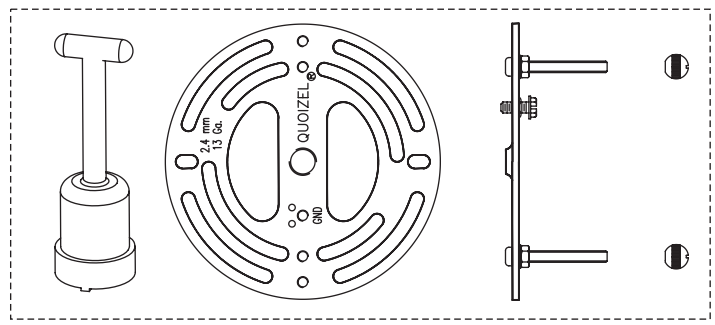


Thank you for purchasing a Quozel product.

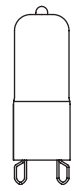
Need assistance with parts or assembly? Call Quozel customer service at 1-631-273-2700  
 or visit us on-line at [www. quozel. com](http://www. quozel. com)

NN1509WT

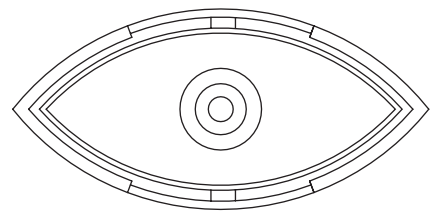
FINISH: WESTERN BRONZE



44"  
OVERALL HEIGHT INCLUDES  
(2) 6" AND 12" RODS



(1)75W Frosted G9  
Halogen (Supplied)



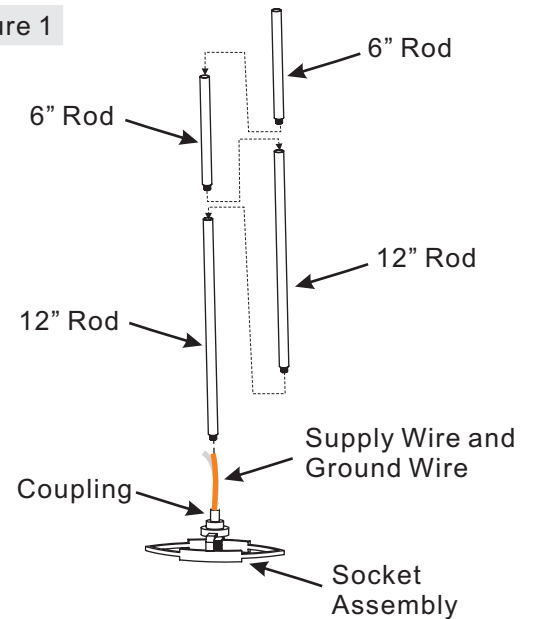
NOTE: ALL DIMENSIONS ARE ROUNDED UP TO THE NEAREST 1/2"

NO.	PART NUMBER	REPLACEMENT PART DESCRIPTION	REQ.
1	I828SF	BULB 120V 75W HALOGEN G9 FROSTED	1
2	G2641BS	BULB SHIELD GLASS 1"D X 2"H	1
3	9012EXWT	ROD EXTENSION WESTERN BRONZE 12"L X .5"D	2
4	9006EXWT	ROD EXTENSION WESTERN BRONZE 6"L X .5"D	2
5	G2955SH	SHADE OPAL ETCHED GLASS 7"L X 4"	1

**STEP 1 – Assemble Rods**

- A. Determine the Rods (L/M) to be assembled to the Socket Assembly (F) according to your hanging height.
- B. Pass Supply Wires and Ground Wire through the chosen Rods (L/M) and then thread the chosen Rods (L/M) and the Socket Assembly (F) together. Hand tighten until snug.

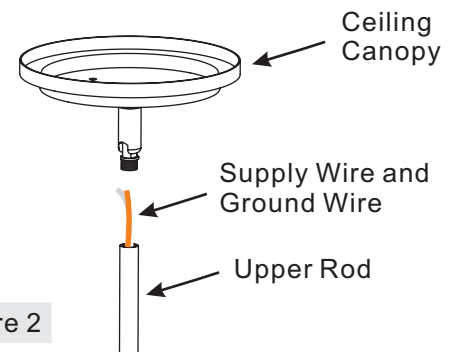
Figure 1



**STEP 2 – Assemble Ceiling Canopy to Upper Rod**

- A. Pass Supply Wires and Ground Wire through the Ceiling Canopy (G) and then thread the Ceiling Canopy (G) and the Upper Rod together. Hand tighten until snug.

Figure 2



**STEP 3 – Attach Mounting Screws, Lock Washers and Hex Nuts to Crossbar**

- A. Line up a set of holes on the Crossbar (A) and Holes on the Ceiling Canopy (G).
- B. Thread Mounting Screws (B) into the holes on the Crossbar (A), pass Lock Washers (C) and thread Hex Nut (D) onto the Mounting Screws (B). Hand tighten until snug.

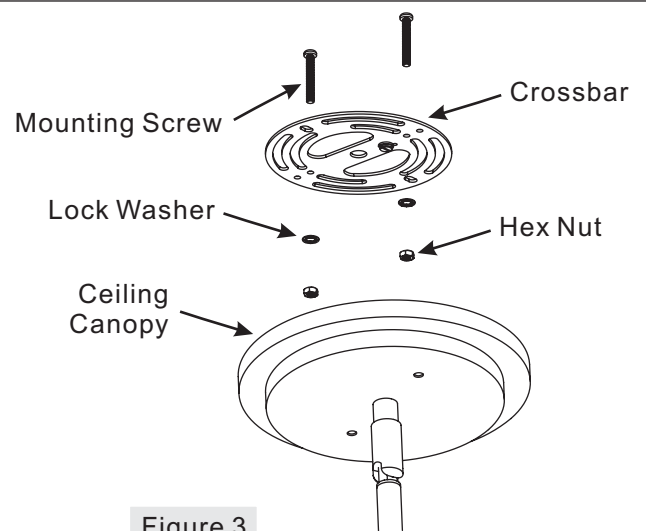


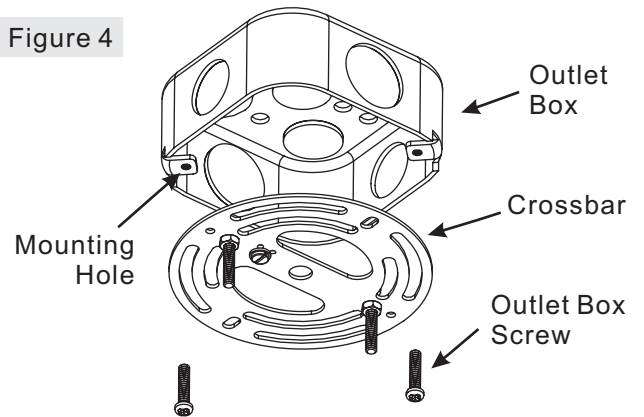
Figure 3

**Thank you for purchasing a Quoizel product.**  
**Need assistance with parts or assembly? Call Quoizel customer service at 1-631-273-2700**  
**or visit us on-line at www. quozel. com**

### STEP 4 – Attach Crossbar to Outlet Box

- A. Attach the Crossbar (A) to Outlet Box and secure by threading Outlet Box Screws (not supplied) into the Mounting Holes on the Outlet Box. Tighten until snug.

Figure 4



### STEP 5 – Make Wire Connections

- A. Use standard wire connectors to make all wire connections. (Connectors are not included with fixture.) Strip and prepare wire ends according to instructions supplied with connectors.
- B. Connect White Supply Wire from the Outlet Box to White Wire from fixture.
- C. Connect Black (or Red) Supply Wire from the Outlet Box to Black Wire from fixture.
- D. Connect Ground Wire from the Outlet Box to Ground Wire from fixture.
- E. Twist connectors until wires are tightly joined together.
- F. Wrap each connection with approved electrical tape and carefully stuff all the connected wires into the Outlet Box.

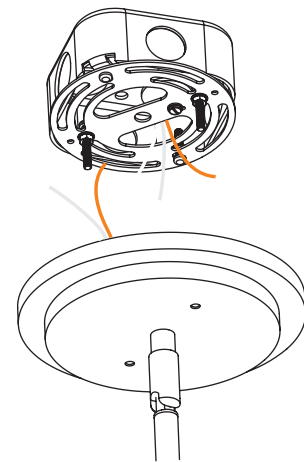


Figure 5

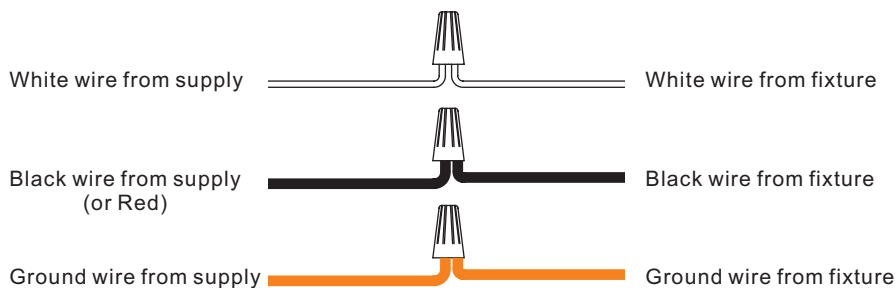
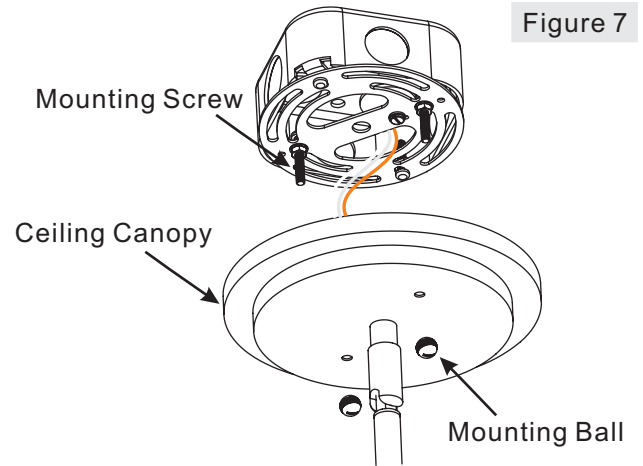


Figure 6

**Thank you for purchasing a Quozel product.**  
**Need assistance with parts or assembly? Call Quozel customer service at 1-631-273-2700**  
**or visit us on-line at [www. quozel. com](http://www. quozel. com)**

## STEP 6 – Attach Ceiling Canopy to Mounting Screw

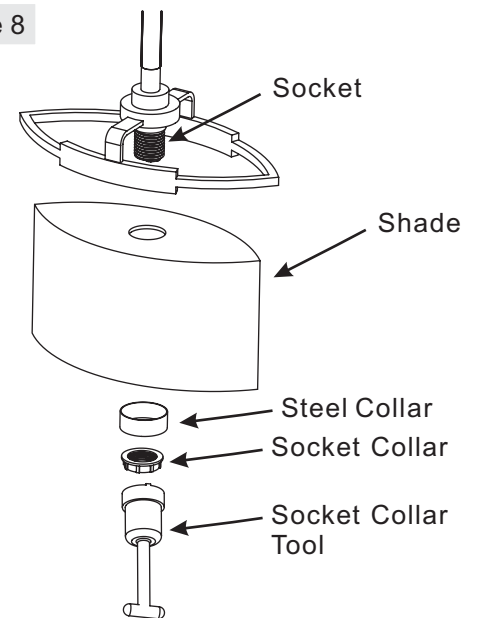
- A. Place the Ceiling Canopy (G) over the Mounting Screws (B) and secure with Mounting Balls (E). Hand tighten until snug.



## STEP 7 – Attach Shade to Socket

- A. Place the Shade (N) and the Steel Collar (K) over the Socket as shown. By using the Socket Collar Tool (O) threading the Socket Collar (J) onto the Socket. Hand tighten until snug.

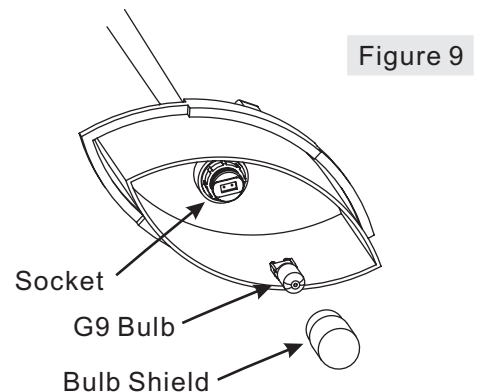
Figure 8



## STEP 8 – Install Bulb and Bulb Shield

- A. This fixture uses Frosted G9 Halogen Bulb. Maximum 75 watts.  
B. Insert bulb and seat properly into place.  
C. Screw Bulb Shield (H) onto the Socket and hand tighten until snug.

Your lamp hanging fixture is now assembled and ready to use.  
Enjoy!



Thank you for purchasing a Quozel product.

Need assistance with parts or assembly? Call Quozel customer service at 1-631-273-2700  
or visit us on-line at [www. quozel. com](http://www. quozel. com)

**QUOIZEL**

6 CORPORATE PARKWAY  
GOOSE CREEK, SC. 29445  
www. quozel. com

## Assembly Instruction Sheet #IS-NN1509WT For Style NN1509WT

### CAUTION FOR BULB REPLACING

- A. When replace bulb, turn off power and allow lamp to cool. For safety purpose, wear gloves and eye protection.
- B. If bulb is scratched or cracked, DO NOT use the lamp to avoid breakage during use or installation.
- C. Use only in fixtures rated for lamps wattage and voltage.
- D. Lamp operate under high pressure generating intense heat. Prevent contact with liquid and combustible materials.

**Thank you for purchasing a Quozel product.**

**Need assistance with parts or assembly? Call Quozel customer service at 1-631-273-2700  
or visit us on-line at [www. quozel. com](http://www. quozel. com)**