

QUOIZEL6 CORPORATE PARKWAY
GOOSE CREEK, SC. 29445
www. quoizel. comQuoizel, Inc.
6 Corporate Parkway
Goose Creek, SC
29445Customer Service
Phone 631.273.2700
Fax 631.231.7102
www. quoizel. com

Assembly Instruction Sheet #IS-QF1202SC

For Style QF1202SC

Tools Required: Flathead screwdriver, Phillips screwdriver, pliers, wire cutters, wire strippers, electrical tape, safety glasses.**Bulb Recommended:** (3) Medium Base 100W Maximum**Estimated Assembly Time:** 20-30 minutes**Preparation:** Identify and inspect all parts before beginning installation. Check package content list and diagrams below to be sure all parts are present. If any parts are missing or damaged, do not attempt to assemble, install, or operate the fixture. Contact customer service for replacement parts.

Warnings and Cautions

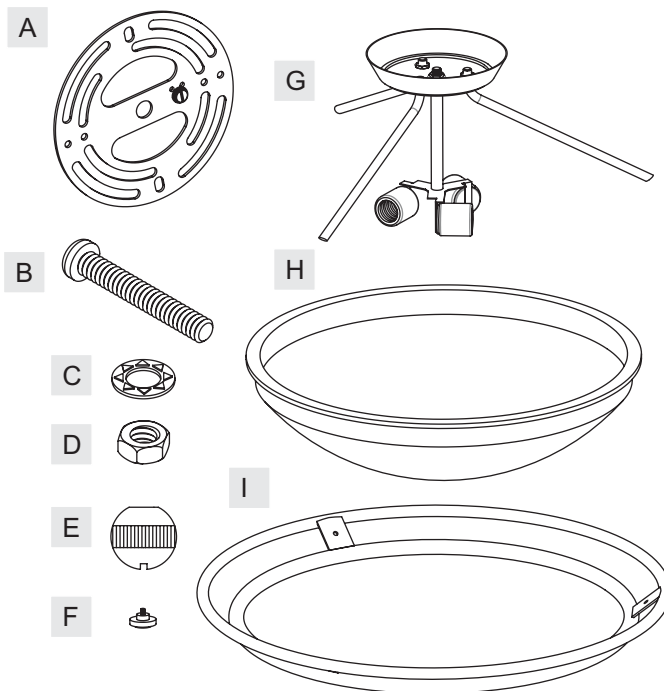
Turn off electricity at circuit breaker or main fuse box before installation. Consult a licensed electrician if in doubt.

These instructions are provided for your safety. It is very important you read them completely before installing the fixture. We strongly recommend that a licensed, professional electrician perform the installation.

Disconnect fixture from power source before replacing bulbs. Make sure bulbs are given sufficient time to cool before removal. Do not subject glass parts to any shock while in operation or shattering may result.

Package Contents

Part	Description	Quantity
A	Crossbar	1 pc.
B	Mounting Screw	2 pcs.
C	Lock Washer	2 pcs.
D	Hex Nut	2 pcs.
E	Mounting Ball	2 pcs.
F	Lock Screw	3 pcs.
G	Fixture Body	1 pc.
H	Shade	1 pc.
I	Shade Holder	1 pc.

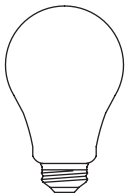
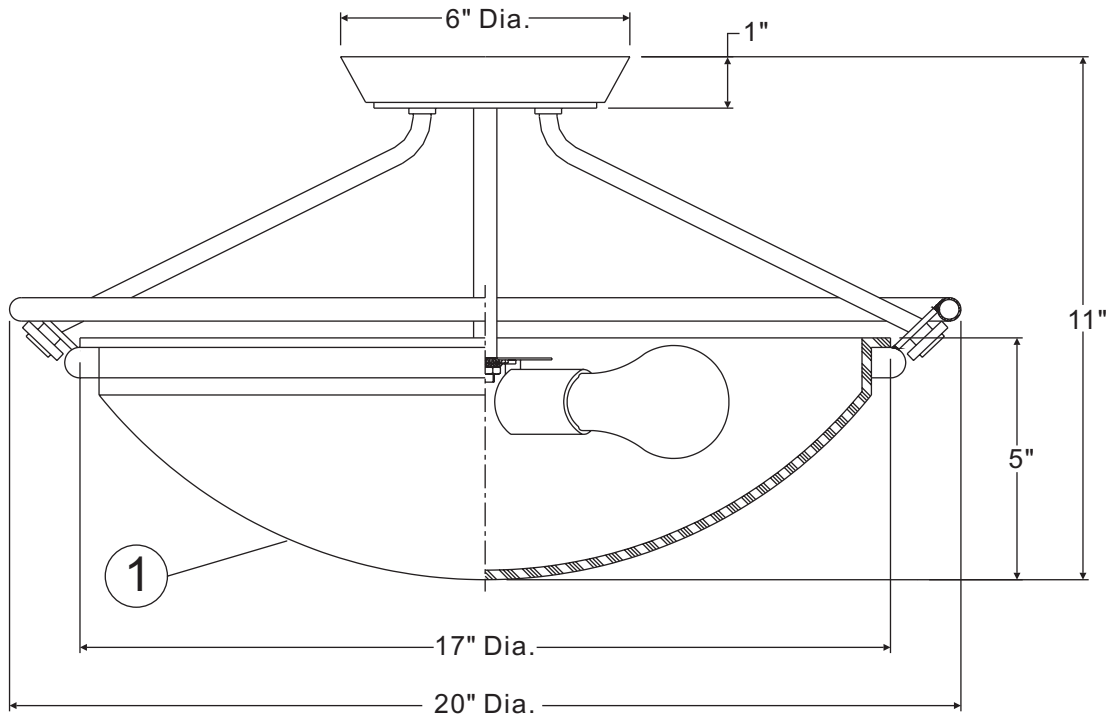
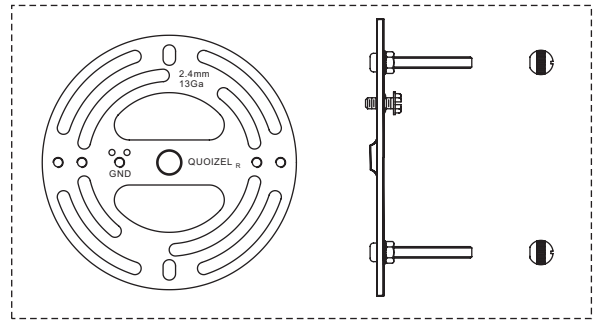


Thank you for purchasing a Quoizel product.

Need assistance with parts or assembly? Call Quoizel customer service at 1-631-273-2700
or visit us on-line at www. quoizel. com

QF1202SC

FINISH: POLISHED CHROME



(3) 100W A19
Medium Base Bulbs
(Not Supplied)

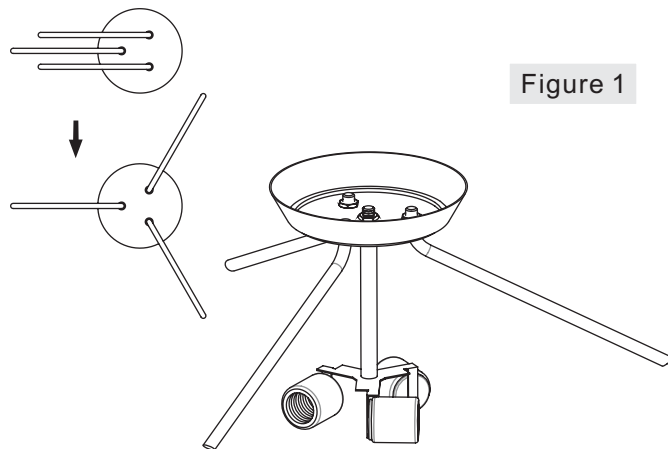
NOTE: ALL DIMENSIONS ARE ROUNDED UP TO THE NEAREST 1/2"

NO.	PART NUMBER	REPLACEMENT PART DESCRIPTION	REQ.
1	G2973SH	SHADE ETCHED W/PNTD WHITE INSID	1
2			

Assembly Instruction Sheet #IS-QF1202SC For Style QF1202SC

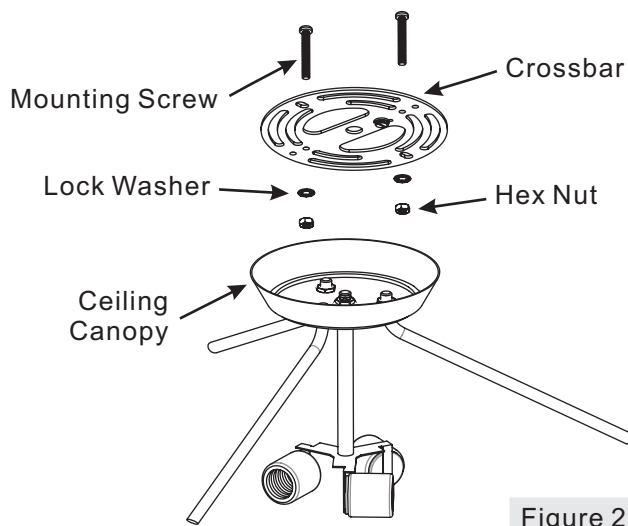
STEP 1 – Adjust Fixture Assembly

- A. Unfold support arms on fixture assembly to proper locations.



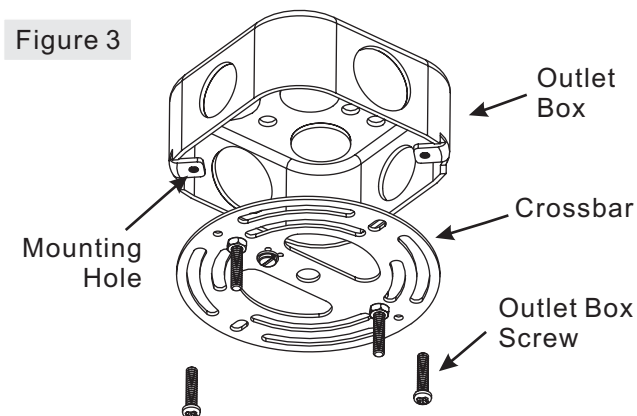
STEP 2 – Attach Mounting Screws, Lock Washers and Hex Nuts to Crossbar

- A. Line up a set of holes on the Crossbar (A) and Holes on the Ceiling Canopy.
B. Thread Mounting Screws (B) into the holes on the Crossbar (A), pass Lock Washers (C) and thread Hex Nut (D) onto the Mounting Screws (B). Hand tighten until snug.



STEP 3 – Attach Crossbar to Outlet Box

- A. Attach the Crossbar (A) to Outlet Box and secure by threading Outlet Box Screws (not supplied) into the Mounting Holes on the Outlet Box. Tighten until snug.



Thank you for purchasing a Quoizel product.
Need assistance with parts or assembly? Call Quoizel customer service at 1-631-273-2700
or visit us on-line at www. quoizel. com

Assembly Instruction Sheet #IS-QF1202SC For Style QF1202SC

STEP 4 – Make Wire Connections

- A. Use standard wire connectors to make all wire connections. (Connectors are not included with fixture.) Strip and prepare wire ends according to instructions supplied with connectors.
- B. Connect White Supply Wire from the Outlet Box to White Wire from fixture.
- C. Connect Black (or Red) Supply Wire from the Outlet Box to Black Wire from fixture.
- D. Connect Ground Wire from the Outlet Box to Ground Wire from fixture.
- E. Twist connectors until wires are tightly joined together.
- F. Wrap each connection with approved electrical tape and carefully stuff all the connected wires into the Outlet Box.

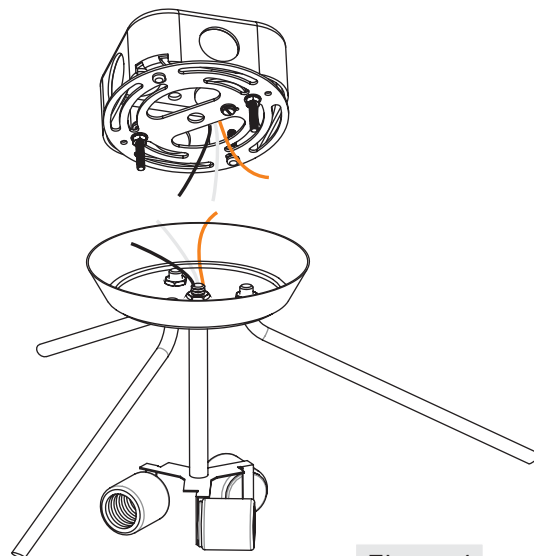


Figure 4

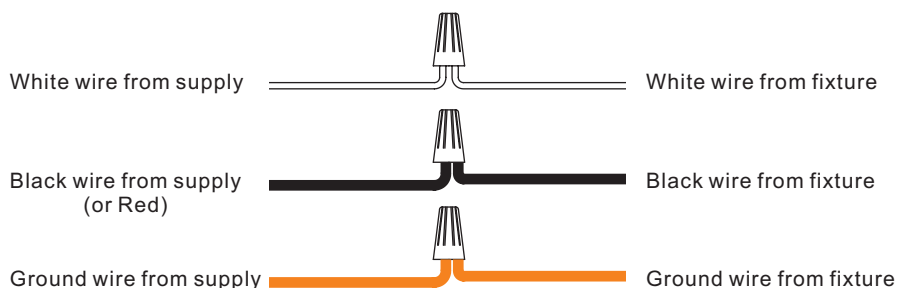


Figure 5

STEP 5 – Attach Ceiling Canopy to Mounting Screw

- A. Place the Ceiling Canopy on the top of the Fixture Body (G) over the Mounting Screws (B) and secure with Mounting Balls (E). Hand tighten until snug.

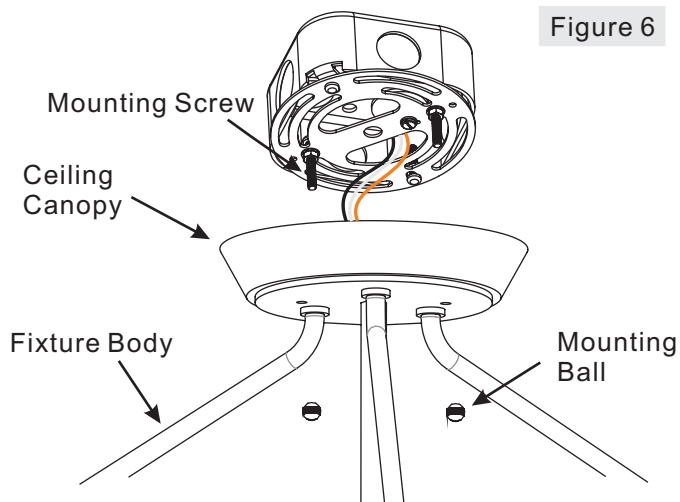


Figure 6

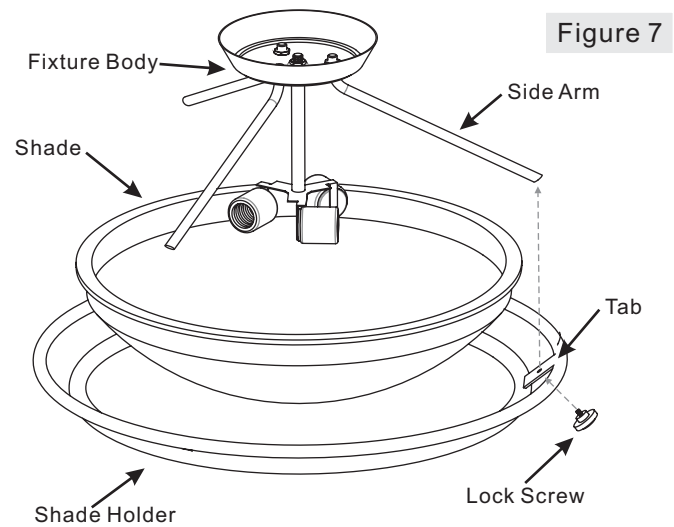
Thank you for purchasing a Quoizel product.

Need assistance with parts or assembly? Call Quoizel customer service at 1-631-273-2700
or visit us on-line at www. quoizel. com

Assembly Instruction Sheet #IS-QF1202SC For Style QF1202SC

STEP 6 – Attach Shade to Fixture Body

- Place Shade(H) inside Shade Holder(I).
- Lift the Shade Holder (I) with shade (H) upward and align rings of the Shade Holder (I) with the ends of the Side Arms of the Fixture Body (A).
- Pass Lock Screws (F) through Tab of the Shade Holder (I) and thread into Side Arm of the Fixture Body (A). Hand tighten until snug.



STEP 7 – Install Bulb

- This fixture uses standard bulb with a standard screw base. Maximum 100 watts.
- Insert bulb and screw properly into place.

Your lamp semi-flush fixture is now assembled and ready to use. Enjoy!

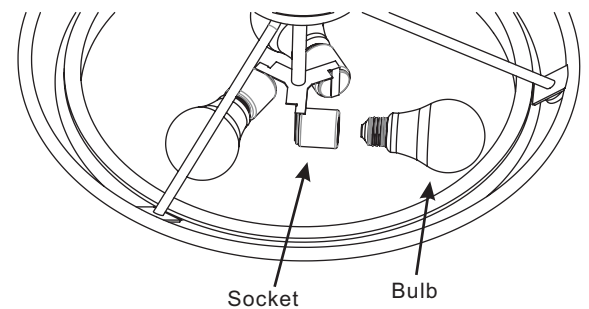


Figure 8

Thank you for purchasing a Quoizel product.
Need assistance with parts or assembly? Call Quoizel customer service at 1-631-273-2700
or visit us on-line at www. quozel. com