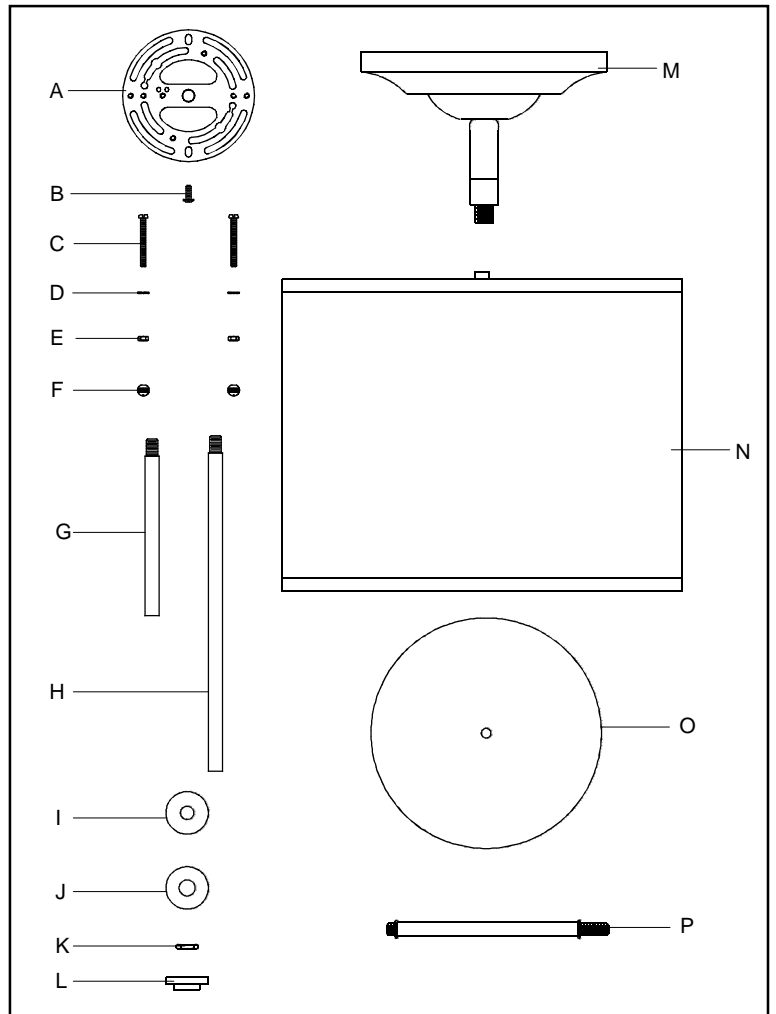


PACKAGE CONTENTS

ISSUED 09-2008

| Part | Description | Quantity |
|------|------------------------------|----------|
| A | Crossbar | 1pc |
| B | Green Ground Screw | 1pc |
| C | Mounting Screw | 2pcs |
| D | Lock Washer | 2pcs |
| E | Hex Nut (for Mounting Screw) | 2pcs |
| F | Mounting Ball | 2pcs |
| G | 6" Rod | 2pcs |
| H | 12" Rod | 2pcs |
| I | Flat Washer | 2pcs |
| J | Rubber Washer | 2pcs |
| K | Hex Nut (1/8IP) | 1pc |
| L | Finial | 1pc |
| M | Ceiling Canopy | 1pc |
| N | Shade Assembly | 1pc |
| O | Diffuser | 1pc |
| P | Stem | 1pc |



! WARNINGS AND CAUTIONS

WARNING:

- Before beginning the installation, turn off electricity at the circuit breaker box or the main fuse box by switching off the circuit breaker or removing the fuse.

CAUTIONS:

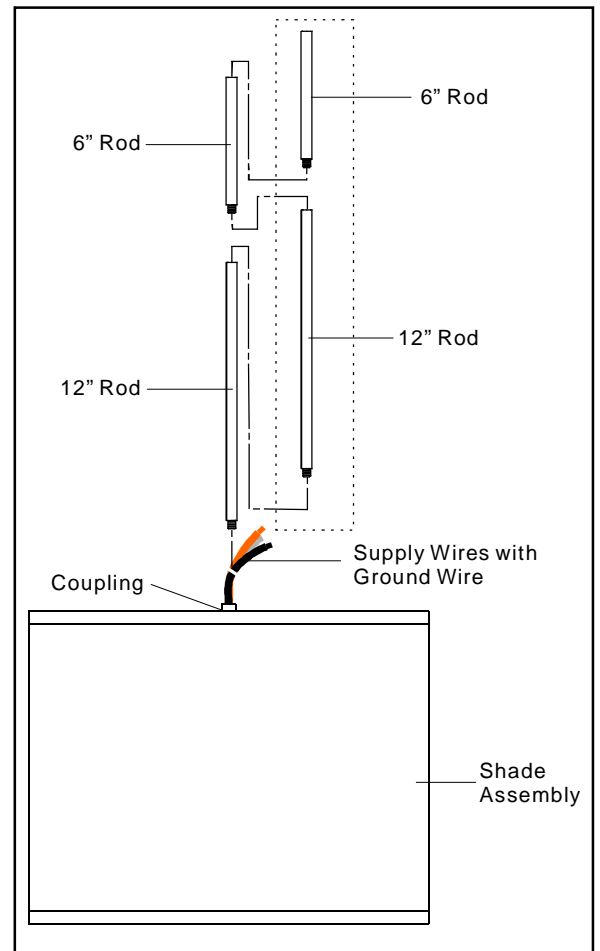
- These instructions are provided for your safety. It is very important that they are read completely before the installation of your fixture. We strongly recommend that a professional electrician install the fixture.
- Disconnect fixture from the power source before replacing the bulb(s), making sure the bulb(s) had sufficient time to cool down. DO NOT subject the lamp to any shock while lit as shattering of lamp may result.

PREPARATION

- Before beginning installation of product, make sure all parts are present. Compare parts with package contents list and diagram above. If any part is missing or damaged, do not attempt to assemble, install or operate the product. Contact customer service for replacement part.
- Estimated Assembly Time: 10 - 20 minutes
- Tools Required for Assembly (not included): Flathead screwdriver, Phillips screwdriver, pliers, electrical tape, wire cutters, safety glasses & 3, 60 Watt, Type-A Medium Base Bulbs.
- Helpful Tools (not included): Wire Strippers.

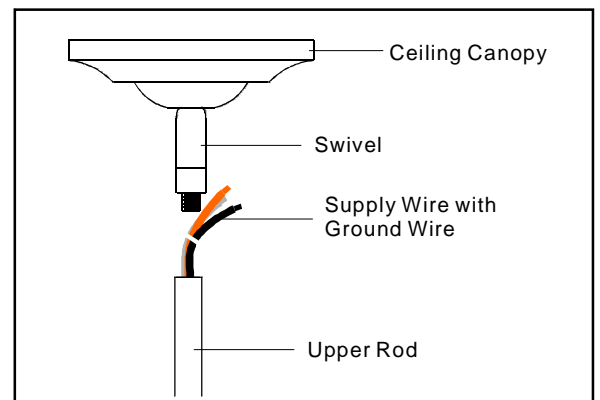
STEP 1:

- Determine the Rods to be assembled according to your desired hanging height.
- Pass the Supply Wires with Ground Wire through the chosen Rods and then thread Rods and Shade Assembly together as shown. Tighten until snug.



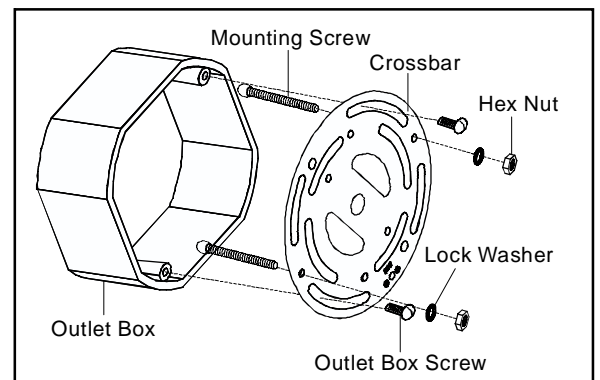
STEP 2:

- Pass the Supply Wires with Ground Wire through the Swivel and Ceiling Canopy.
- Thread the Swivel onto the top end of the Upper Rod and hand tighten until snug.



STEP 3:

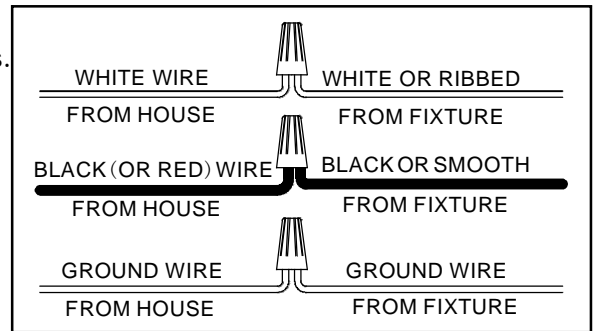
- Screw the Mounting Screws into the Crossbar, place the Lock Washers over the Mounting Screws and thread the Hex Nuts onto the Mounting Screws as shown. Secure the position of the Mounting Screws by tightening the Hex Nuts against the Crossbar.
- Secure the Crossbar to the Outlet Box with Outlet Box Screws.



STEP 4:

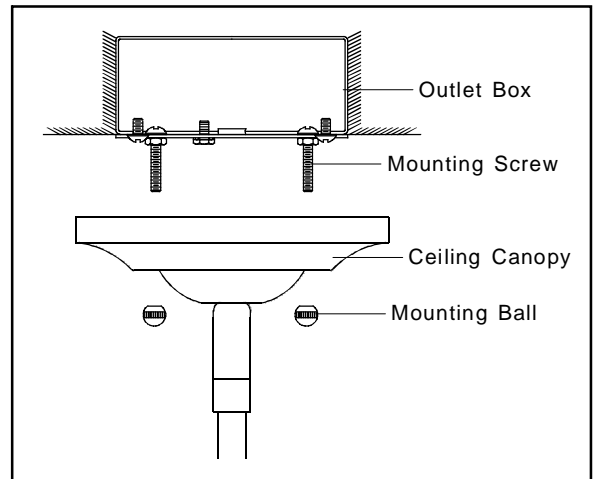
* Use Wire Connectors (not supplied) to connect the wires.

- Connect the House Ground Wire to the Fixture Ground Wire.
- Connect the House White Wire to the Fixture Supply Wire (White or Ribbed Side).
- Connect the House Black (or Red) Wire to the Fixture Supply Wire (Black or Smooth Side).
- Wrap each connection with approved electrical tape and carefully stuff all of the connected wires into the Outlet Box.



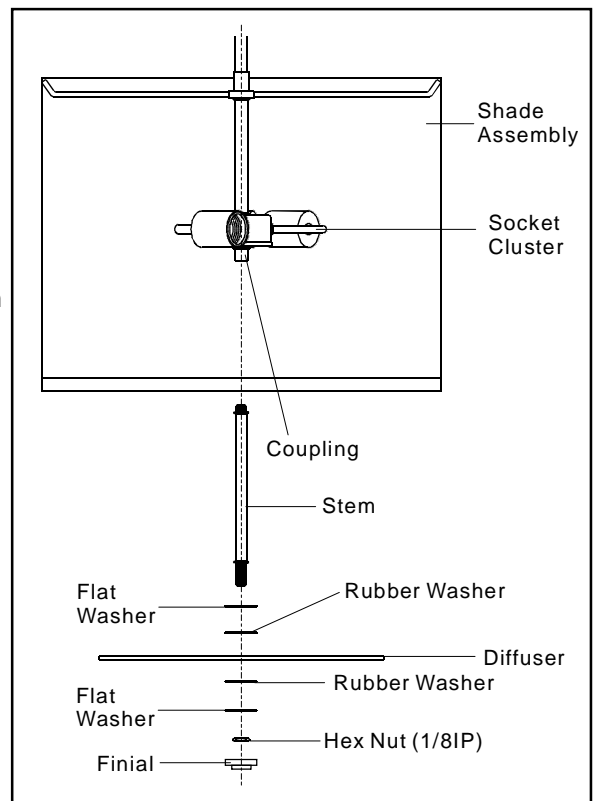
STEP 5:

- Place the Ceiling Canopy over the Mounting Screws and thread Mounting Balls onto the Mounting Screws to secure it. Hand tighten until snug.



STEP 6:

- Thread the short nipple end of the Stem into the Coupling underside of the Socket Cluster. Hand tighten until snug.
- Locate the following components over the end of the Stem in turn:
Flat Washer, Rubber Washer, Diffuser, Rubber Washer and Flat Washer.
- Thread the Hex Nut (1/8IP) onto the end of the Stem and tighten until snug to secure the above parts. Proceed to thread the Finial onto the end of the Stem and hand tighten until snug.



STEP 7:

- Install correct Bulbs referring to fixture markings and/or labels for maximum wattage.

Your installation is completed now. Restore electricity. Retain this sheet for future reference.