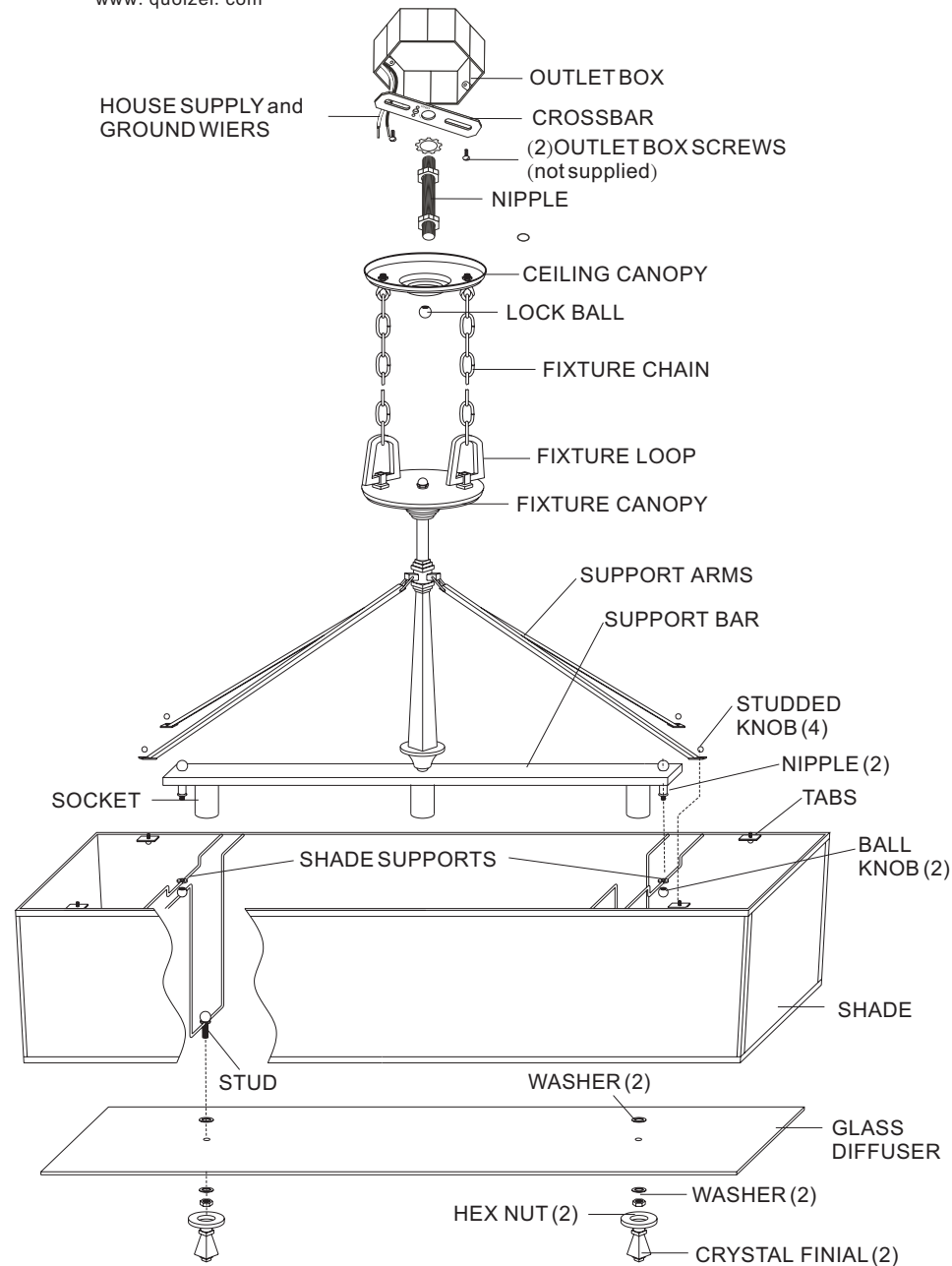


**Note: If this fixture is being installed in Canada, please refer to Page 2 of this sheet for special mounting instructions.**



**ASSEMBLY/INSTALLATION INSTRUCTIONS:**

- Carefully unpack all parts referring to illustration for parts identification.
- Turn power to the installation point **OFF** at circuit breaker.
- Assemble the SUPPORT BAR to the shade by placing the assembled NIPPLES on each end through the holes on the SHADE SUPPORTS. Secure by threading a BALL KNOB onto each NIPPLE. Hand tighten until secure. Next, locate the SUPPORT ARMS and align the holes on the ends of SUPPORT ARMS over the holes on the TABS. Thread the STUDD KNOBS into the holes on the TABS and hang tighten until snug. Repeat this step four (4) times. Your SHADE is now assembled to the SUPPORT BAR.
- Locate the CROSSBAR and attach to ceiling mounted outlet box using (2) OUTLET BOX SCREWS (not supplied). Locate the NIPPLE with HEX NUTS and SHAKE PROOF WASHER. Pass the SHAKE PROOF WASHER over the end of the NIPPLE and thread NIPPLE into the center of the CROSSBAR. Using pliers, HEX NUT against CROSSBAR to sure NIPPLE.
- Make the connections:** Quoizel recommends a minimum of (2) people for the next (3) steps. Determine your desired chain length and adjust accordingly. Trim the FIXTURE SUPPLY and GROUND WIRES to approx. 6" in the length from where wires exit FIXTURE CANOPY. Trim back wire jacketing approx. 3/4". Position the fixture under the OUTLET BOX. Using wire connectors (not supplied) connect the HOUSE GROUND WIRE to FIXTURE GROUND WIRE; connect the HOUSE WHITE WIRE to the FIXTURE SUPPLY WIRE (RIBBED SIDE); connect the HOUSE BLACK (or RED) WIRE to the FIXTURE SUPPLY WIRE (SMOOTH SIDE). Wrap each connection with approved electrical tape.
- With the connections properly made, carefully tuck all wires into OUTLET BOX. Pass the MOUNTING HOLE in the underside of the CEILING CANOPY over the NIPPLE, attach to CROSSBAR. Thread the LOCK BALL onto the end of the NIPPLE. Hand tighten the LOCK BALL to secure fixture against the ceiling.
- Installing the GLASS DIFFUSER: Lift the GLASS DIFFUSER and WASHERS up beneath the SHADE so the two mounting studs protrude through the holes. Using the WASHERS and HEX NUTS, install them onto the studs and secure the GLASS DIFFUSER into place. Hand tighten until snug. Next, install the two CRYSTAL FINIALS and hand tighten until secure.
- Install bulbs referring to fixture markings and/or labels for maximum wattage.
- Restore power to installation point ON. Keep this sheet for future reference.

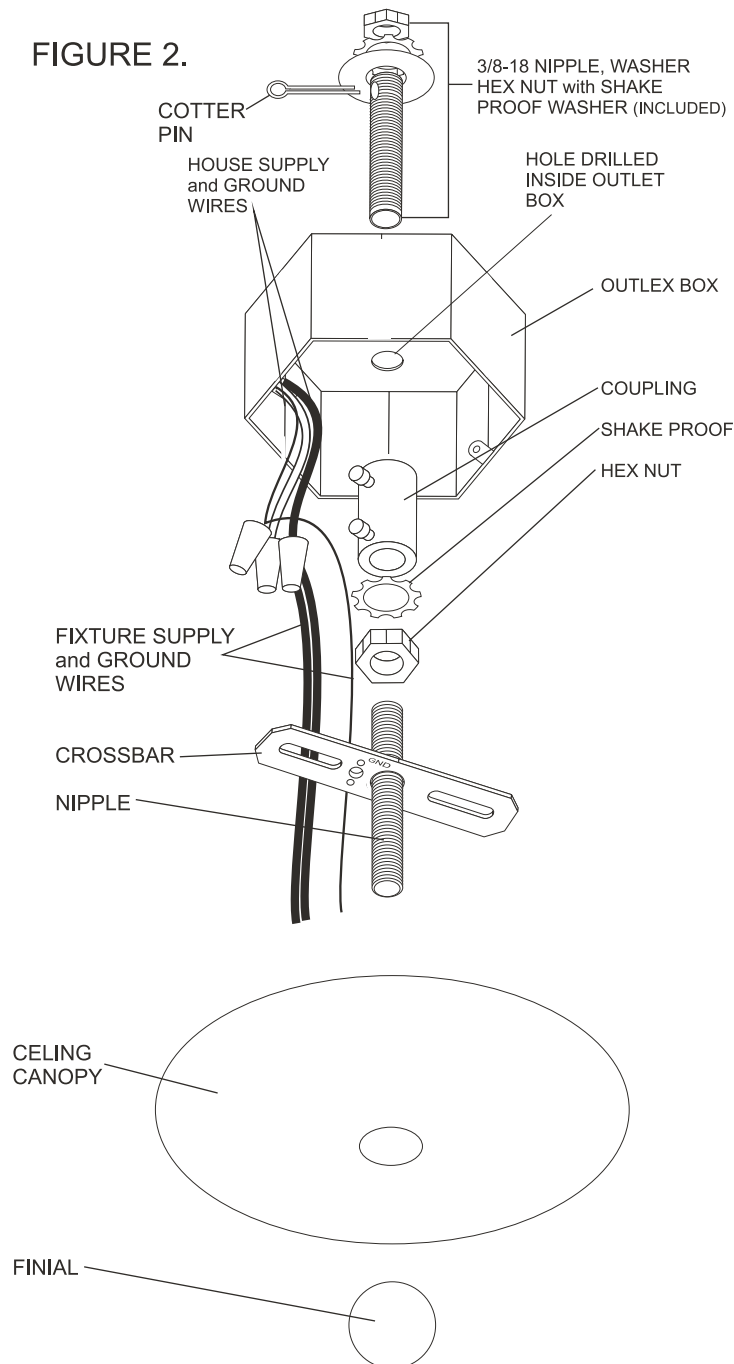
**IF IN DOUBT ABOUT ELECTRICAL INSTALLATION,  
CONSULT A LICENSED ELECTRICIAN!**

## ***INSTALLATION INSTRUCTIONS: (FOR FIXTURES OVER 25 LBS. (Canada Only)***

Please use the information outlined in this sheet for the ceiling installation part of your fixture assembly.

**Quoizel recommends a licensed electrician or contractor be consulted for this installation.**

FIGURE 2.



1. Before installing fixture, carefully unpack and identify all parts referring to illustration FIGURE 2. Be sure the power to the installation point is OFF.
2. Locate the UPPER ASSEMBLY onto the SHADE and match the holes on SUPPORT BAR over the STUDS on the BRACKET A. Secure by threading KNOBS onto the STUDS. Hand tighten until snug. Locate the SUPPORT ARMS and align the holes on the ends of SUPPORT ARMS over the STUDS on the TABS. Thread the KNOBS onto the STUDS and hang tighten until snug.
3. Locate WASHERS and DIFFUSER over the STUDS on the bottom of BRACKET B. Secure by threading WASHERS and HEX NUTS onto the STUDS. Hand tighten until snug. Thread the CRYSTAL FINIALS onto the STUDS on the bottom of the BRACKET B. Hand tighten until snug.
4. The weight of this fixture will require a means of support independent of the OUTLET BOX. This fixture must be supported by 3/8-18 NPSM NIPPLE (supplied) The NIPPLE should be positioned so that 3/4" protrudes into the OUTLET BOX cavity. **Note: the opposite end of the NIPPLE must be attached to a structural or bridging member of sufficient strength to support the fixture weight.** A COTTER PIN has been included and should be installed into the top of 3/8-18 NPSM NIPPLE, above HEX NUT for added safety. A clearance hole must be drilled on the inside top center of the OUTLET BOX. Please refer to Figure 3, page 3 for detailed illustration. We recommend the consultation of a licensed electrician or contractor due to the complexity of this installation.
5. With the 3/8-18 NPSM NIPPLE properly situated, locate COUPLING and proceed to thread onto the end of the NIPPLE protruding into the OUTLET BOX. Thread COUPLING onto pipe until tight. Tighten the top SET SCREW with pliers to secure COUPLING to NIPPLE. Locate the NIPPLE and thread HEX NUT onto top end. Pass SHAKE PROOF WASHER over top end. Thread top end of NIPPLE into the COUPLING. Using pliers, snug HEX NUT up against the COUPLING. Locate the CROSSBAR and thread top the NIPPLE so the CROSSBAR sits inside of ceiling mounted outlet box.
6. (Refer to FIGURE 1, Page 1) **Make the connections:** Quoizel recommends a minimum of (2) people for the next (2) steps. Trim the FIXTURE SUPPLY and GROUND WIRES to approx. 6" in the length from where wires exit FIXTURE CANOPY. Trim back wire jacketing approx. 3/4". Position the fixture under the OUTLET BOX. Using wire connectors (not supplied) connect the HOUSE GROUND WIRE to FIXTURE GROUND WIRE; connect the HOUSE WHITE WIRE to the FIXTURE SUPPLY WIRE (RIBBED SIDE); connect the HOUSE BLACK (or RED) WIRE to the FIXTURE SUPPLY WIRE (SMOOTH SIDE). Wrap each connection with approved electrical tape.
7. With the connections properly made, carefully tuck all wires into OUTLET BOX. Pass the MOUNTING HOLE in the underside of the CEILING CANOPY over the NIPPLE, attach to CROSSBAR. Thread the LOCK BALL onto the end of the NIPPLE. Hand tighten LOCK BALL to secure fixture against the ceiling.
8. Install bulbs referring to fixture markings and/or labels for maximum wattage.
9. Restore power to installation point ON. Keep this sheet for future reference.

**FIGURE 3: CRAWL SPACE / ATTIC CUT-AWAY**

