



Compact Fluorescent

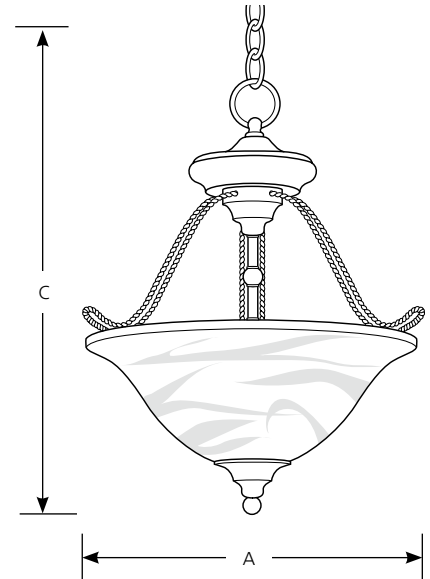
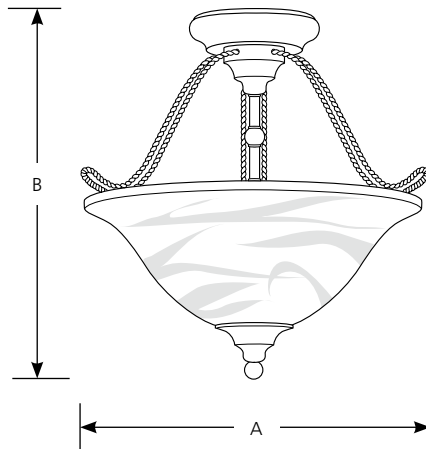
Avalon

Close-To-Ceiling

Type \_\_\_\_\_  
-09EBWB

P3468

Catalog No.	Finish		Lamping	Dimensions (Inches)		
	Brushed Nickel			A	B	C
P3468	-09EBWB		2-13w CFL (included)	13-1/8	15	54



**Specifications:**

General

- Swirled alabaster (-09) glass bowl:
- Semi flush design
- Wire rope arms
- Six feet of 9 gauge chain supplied
- Plated Brushed Nickel (-09) finish
- Steel construction
- 13w GU24 self-ballasted CFL lamps (included)
- Companion Bath and Vanity, Chandelier, Close to ceiling, Hall and Foyer, Pendant, Wall Bracket, fixtures are available

Mounting

- Ceiling chain/ctc mount
- Canopy covers a standard 4" hexagonal recessed outlet box
- Mounting strap for outlet box included

Electrical

- GU24 base sockets
- 15 feet of wire supplied
- Pre-wired

Labeling

- UL-CUL for chain mounting
- UL-CUL Damp location listed for direct ceiling mounting

Progress Lighting  
701 Millennium Blvd.  
Spartanburg, South Carolina  
29607

www.progresslighting.com

Rev. 8/12