



Compact Fluorescent
Trim

6" Open Pro-Optic™ Alzak
2 Horizontal Quad Tube Lamps
Non-IC

Recessed

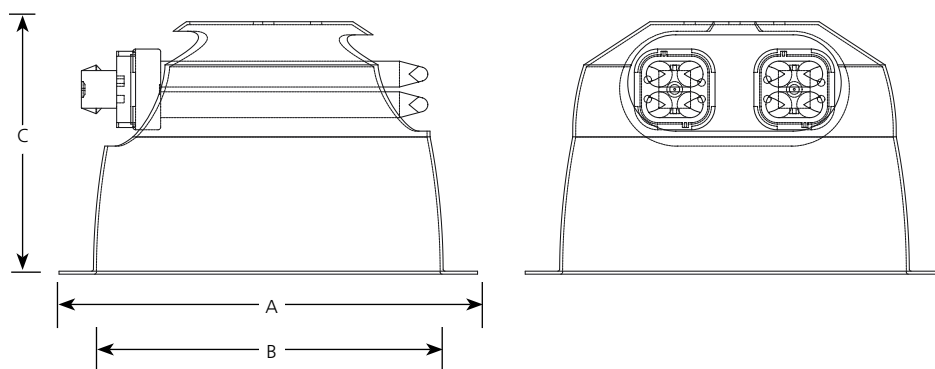
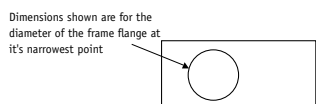
				Type			
	-17A	-21A	-22A	-28	-61*	-64*	-67*
P8030	<input type="checkbox"/>	<input type="checkbox"/>	<input type="checkbox"/>	<input type="checkbox"/>	<input type="checkbox"/>	<input type="checkbox"/>	<input type="checkbox"/>

Catalog No.	Finish							Dimensions (Inches)		
	Pewter Alzak	Clear Alzak	Gold Alzak	White	Straw Alzak	Wheat Alzak	Haze Alzak	A	B	C
P8030	-17A	-21A	-22A	-28	-61*	-64*	-67*	7	5-3/4	4-3/4

Maximum Ceiling Thickness = 1-1/4"
Ceiling Opening = 6-1/4" (See guide for retrofit)

P163H, P168H, P166H

HOUSING COMPATIBILITY GUIDE		
ORDERING GUIDELINES	6 INCH OPENING RANGE	
	MIN	MAX
REQUIRES SD HOUSING OPTION	5-15/16	6-1/8
ALL STANDARD HOUSINGS	6-1/8	6-1/2
ONLY P8100-01 SERIES TRIMS AVAILABLE: 'WF' OPTION	6-1/2	6-7/8



Lamp Wattage Housings

New Construction	Retrofit	IC	Non-IC
P63-EB	P163H-EB	N/A	2-13w Quad tube
P68-EB	P168H-EB	N/A	2-18w Quad tube
P66-EB	P166H-EB	N/A	2-26w Quad tube
P66-DM	P166H-DM	N/A	2-26w Quad tube

Specifications:

Flange

- White painted metal flange

Reflector

- All aluminum construction
- One piece construction with integral flange
- Alzak anodized finish
- No light leaks around trim flange
- Socket box mounts to reflector for optimum performance and consistent lamp position
- Reflector retention accomplished by 3 spring clips located in aperture of housing

- Single reflector accommodates both standard and internal emergency housings (New construction housings only)

Labeling

- cCSAus listed for damp location
- Non-IC rated

Options

- For wide flange retrofits (see guide), add 'WF' to end of SKU number. Available with P8030 series only.

* -61, -64, -67 finishes are MTO only.

Progress Lighting
701 Millennium Blvd.
Greenville, South Carolina
29607

www.progresslighting.com



P63-EB/P8030-21A

6" DOWNLIGHT 3002 Alloy Aluminum Specular Conoid Reflector

Report No. 2800

No. Lamps: 2 Type Lamp: 2 - CFL, QUAD TUBE SLVAN Total Lumens: 1800

Fixture Efficiency: 52.4%

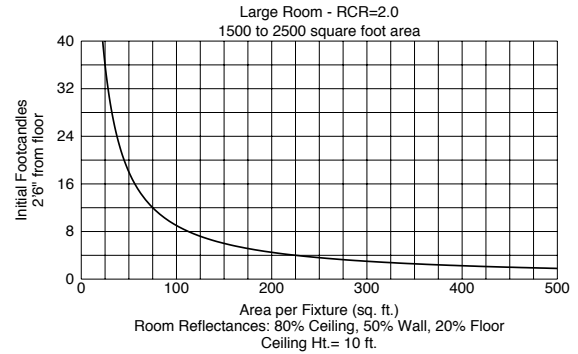
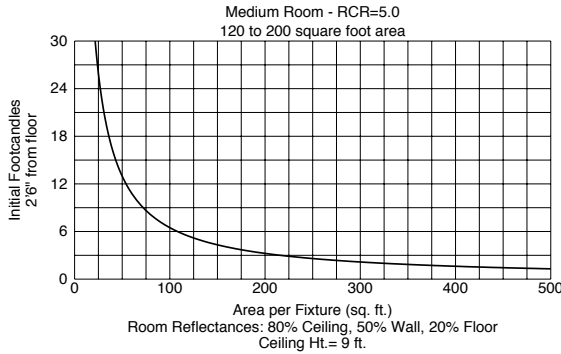
S/MH Ratio: 0.9 (0°) 1.3 (90°)

Single Fixture Data

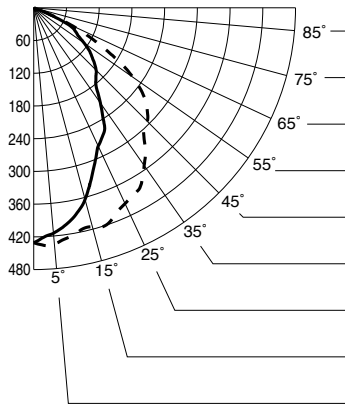
Ceiling Ht.(Ft.)	10% Values		Zero Degrees Ft.-C	50% Values	
	Beam Angle - 105°			Beam Angle - 59°	
	Ft.-C	Beam Dia.		Ft.-C	Beam Dia.
8	1.4	14	14.2	7.1	6
10	0.8	19	7.7	3.8	8
12	0.5	25	4.8	2.4	11
14	0.3	30	3.3	1.6	13
16	0.2	35	2.4	1.2	15

Ft.-C (Footcandles) are initial and measured 2'-6" from floor

Quick Calculator Charts



DISTRIBUTION CURVE



INTENSITY DATA

DEGREES	CANDELA	
	AT 0°	AT 90°
90	0	0
85	0	0
80	1	1
75	1	1
70	4	8
65	62	80
60	90	150
55	113	222
50	139	268
45	162	295
40	177	315
35	213	353
30	260	385
25	280	396
20	318	415
15	364	415
10	395	423
5	415	435
0	431	431

ZONAL CAVITY COEFFICIENTS OF UTILIZATION

RC	Effective Floor Cavity Reflectance 0.20																							
	80				70				50				30				10				0			
	RW	70	50	30	10	70	50	30	10	50	30	10	50	30	10	50	30	10	50	30	10	0		
0	62	62	62	62	61	61	61	61	58	58	58	56	56	56	54	54	54	52	52	52	52			
1	58	56	55	53	57	55	54	52	53	52	51	51	50	49	49	48	48	47	47	47	47			
2	54	50	47	45	53	49	47	44	48	45	43	46	44	42	44	43	42	41	41	41	41			
3	50	45	41	38	49	44	41	38	43	40	37	41	39	37	40	38	36	35	35	35	35			
4	46	40	36	33	45	40	36	33	38	35	33	37	34	32	36	34	32	31	31	31	31			
5	42	36	32	29	41	36	32	29	35	31	29	34	31	28	33	30	28	27	27	27	27			
6	39	33	29	26	38	32	28	25	32	28	25	31	27	25	30	27	25	24	24	24	24			
7	37	30	26	23	36	30	26	23	29	25	23	28	25	22	27	24	22	21	21	21	21			
8	34	27	23	20	33	27	23	20	26	23	20	26	23	20	25	22	20	19	19	19	19			
9	32	25	21	18	31	25	21	18	24	21	18	24	21	18	23	20	18	17	17	17	17			
10	30	23	19	17	29	23	19	17	23	19	17	22	19	17	22	19	17	16	16	16	16			



P66-EB/P8030-21A

6" HORIZONTAL/DOWNLIGHT w/ 3002 Alloy Trim

Report No. 2077

No. Lamps: 2 Type Lamp: 2 - 26W QUAD 4-PIN SYLVA Total Lumens: 3420

Fixture Efficiency: 52.1%

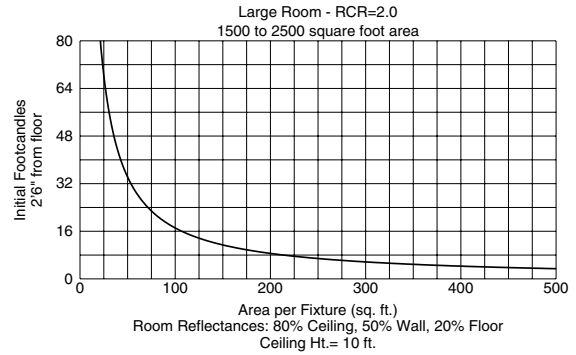
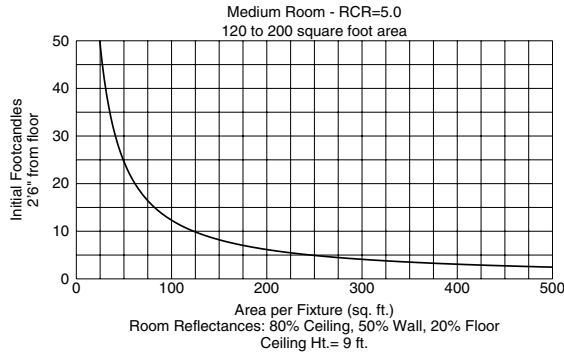
S/MH Ratio: 1.2 (0°) 1.2 (90°)

Single Fixture Data

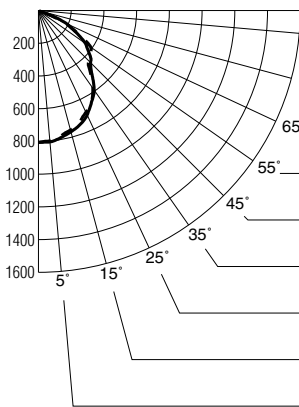
Ceiling Ht.(Ft.)	10% Values		Zero Degrees	50% Values	
	Beam Angle - 107°			Beam Angle - 62°	
	Ft.-C	Beam Dia.	Ft.-C	Ft.-C	Beam Dia.
8	2.7	15	26.6	13.3	7
10	1.4	20	14.3	7.2	9
12	0.9	26	8.9	4.5	11
14	0.6	31	6.1	3.0	14
16	0.4	37	4.4	2.2	16

Ft.-C (Footcandles) are initial and measured 2'-6" from floor

Quick Calculator Charts



DISTRIBUTION CURVE



INTENSITY DATA

DEGREES	CANDELA	
	AT 0°	AT 90°
90	0	0
85	1	1
80	2	2
75	4	4
70	26	16
65	188	180
60	263	275
55	350	391
50	405	414
45	450	437
40	509	494
35	594	580
30	648	649
25	704	686
20	742	729
15	767	756
10	789	779
5	806	800
0	806	806

ZONAL CAVITY COEFFICIENTS OF UTILIZATION

Effective Floor Cavity Reflectance 0.20

RC	Effective Floor Cavity Reflectance 0.20																						
	80				70				50				30				10				0		
RW	70	50	30	10	70	50	30	10	50	30	10	50	30	10	50	30	10	50	30	10	0		
0	62	62	62	62	61	61	61	61	58	58	58	55	55	55	53	53	53	52					
1	58	56	54	53	57	55	53	52	53	51	50	51	50	49	49	48	47	46					
2	53	50	47	44	52	49	46	44	47	45	43	45	44	42	44	42	41	40					
3	49	44	41	38	48	44	40	37	42	39	37	41	38	36	39	37	36	35					
4	45	40	36	33	44	39	35	32	38	34	32	37	34	31	36	33	31	30					
5	42	36	31	28	41	35	31	28	34	31	28	33	30	28	32	29	27	26					
6	39	32	28	25	38	32	28	25	31	27	25	30	27	24	29	26	24	23					
7	36	29	25	22	35	29	25	22	28	25	22	28	24	22	27	24	22	21					
8	34	27	23	20	33	27	23	20	26	22	20	25	22	20	25	22	20	19					
9	31	25	21	18	31	24	21	18	24	20	18	23	20	18	23	20	18	17					
10	29	23	19	16	29	23	19	16	22	19	16	22	18	16	21	18	16	15					



Compact
Fluorescent Trims

6" Pro-Optic® Firebox
2-Lamp Horizontal Open
Non-IC

Recessed

Type _____

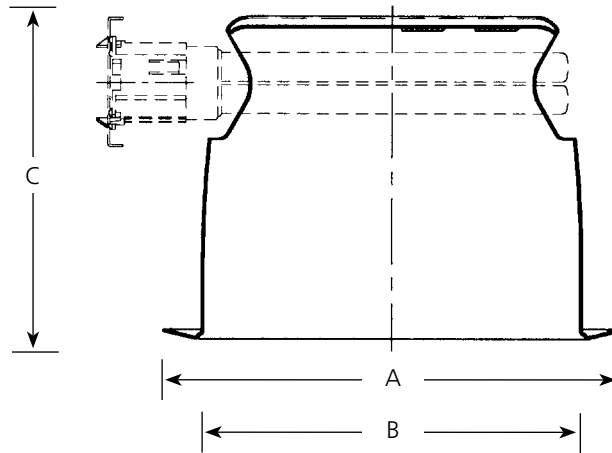
	-17AFB	-21AFB	-22AFB	-28FB	-61FB*	-64FB*	-67FB*
P8030	<input type="checkbox"/>	<input type="checkbox"/>	<input type="checkbox"/>	<input type="checkbox"/>	<input type="checkbox"/>	<input type="checkbox"/>	<input type="checkbox"/>

Finish

Dimensions (Inches)

Catalog No.	Pewter Alzak®	Clear Alzak®	Gold Alzak®	White	Straw Alzak®	Wheat Alzak®	Haze Alzak®	Dimensions (Inches)		
	-17AFB	-21AFB	-22AFB	-28FB	-61FB*	-64FB*	-67FB*	A	B	C
P8030	-17AFB	-21AFB	-22AFB	-28FB	-61FB*	-64FB*	-67FB*	7-3/4	6-3/8	5-5/16

Maximum Ceiling Thickness: 1-1/8"



Lamp Wattage

Housing	IC	Non-IC
P63-EBFB	N/A	2 13w Quad
P68-EBFB	N/A	2 18w Quad
P66-EBFB	N/A	2 26w Quad

Specifications:

Flange

- Bright white powdered painted metal flange
- P8030-28 is painted entirely with powder coat bright white

Trim

- All aluminum construction
- One piece construction with integral finish
- No light leaks around trim flange
- Socket box mounts to trim for optimum performance and consistent lamp position
- Trim retention accomplished by 3 spring clips located in aperture of housing

Labeling

- UL-CUL listed for damp locations

*MTO only

Progress Lighting
701 Millennium Blvd.
Greenville, South Carolina
29607

www.progresslighting.com
Patent# 6,254,257



P63-EBFB

P63-EBFB WITH P8030-21AFB

Report No. 98116

No. Lamps: 2 Type Lamp: 13W CF GE Total Lumens: 1800

Fixture Efficiency: 59.3%

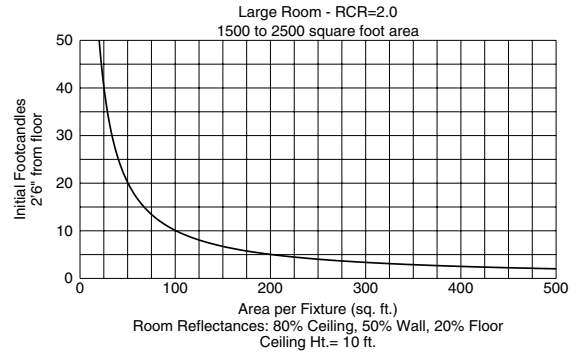
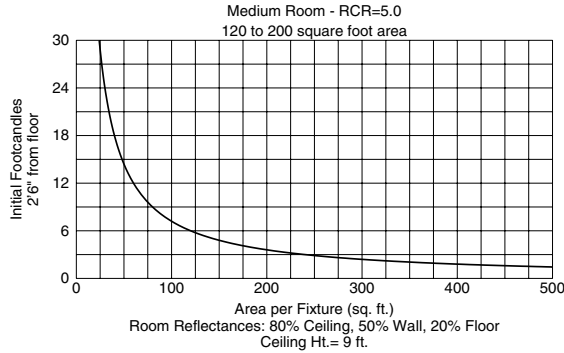
S/MH Ratio: 1.2 (0°) 1.2 (90°)

Single Fixture Data

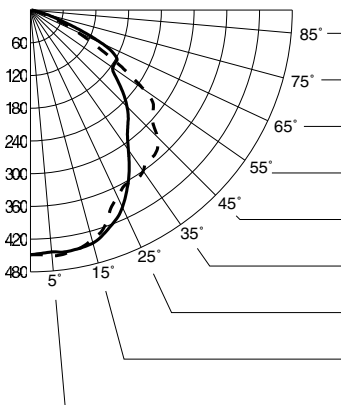
Ceiling Ht.(Ft.)	10% Values		Zero Degrees	50% Values	
	Beam Angle - 109°			Beam Angle - 62°	
	Ft.-C	Beam Dia.		Ft.-C	Beam Dia.
8	1.5	15	14.8	7.4	7
10	0.8	21	8.0	4.0	9
12	0.5	26	5.0	2.5	11
14	0.3	32	3.4	1.7	14
16	0.2	38	2.5	1.2	16

Ft.-C (Footcandles) are initial and measured 2'-6" from floor

Quick Calculator Charts



DISTRIBUTION CURVE



INTENSITY DATA

DEGREES	CANDELA	
	AT 0°	AT 90°
90	0	0
85	3	1
80	9	4
75	30	17
70	71	47
65	145	94
60	183	160
55	184	253
50	214	293
45	250	329
40	278	350
35	313	360
30	359	365
25	399	378
20	424	411
15	442	436
10	447	448
5	445	452
0	448	448

ZONAL CAVITY COEFFICIENTS OF UTILIZATION

RC	Effective Floor Cavity Reflectance 0.20																							
	80				70				50				30				10				0			
	RW	70	50	30	10	70	50	30	10	50	30	10	50	30	10	50	30	10	50	30	10	50	30	10
0	71	71	71	71	69	69	69	69	66	66	66	63	63	63	61	61	61	59						
1	66	63	61	59	64	62	60	58	59	58	56	57	56	55	55	54	53	52						
2	60	56	52	49	59	55	51	49	53	50	48	51	49	47	49	47	45	44						
3	55	50	45	42	54	49	44	41	47	43	40	45	42	40	44	41	39	38						
4	51	44	39	36	49	43	39	35	42	38	35	41	37	34	39	36	34	33						
5	47	40	34	31	46	39	34	31	38	33	30	36	33	30	35	32	30	28						
6	43	36	31	27	42	35	30	27	34	30	27	33	29	26	32	29	26	25						
7	40	32	27	24	39	32	27	24	31	27	24	30	26	23	29	26	23	22						
8	37	30	25	21	36	29	25	21	28	24	21	28	24	21	27	23	21	20						
9	35	27	22	19	34	27	22	19	26	22	19	26	22	19	25	21	19	18						
10	33	25	21	17	32	25	20	17	24	20	17	24	20	17	23	20	17	16						



P68-EBFB

P68-EBFB WITH P8030-21AFB

Report No. 98217

No. Lamps: 2 Type Lamp: 18W CF QUAD-GE Total Lumens: 2500

Fixture Efficiency: 60.4%

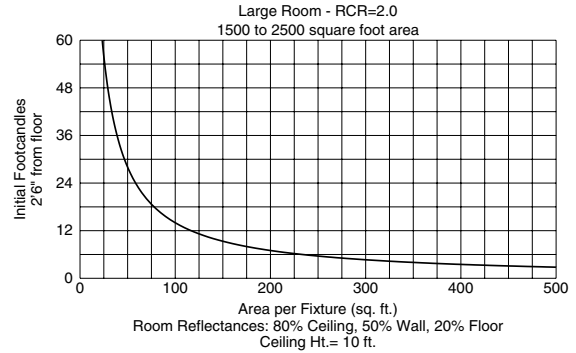
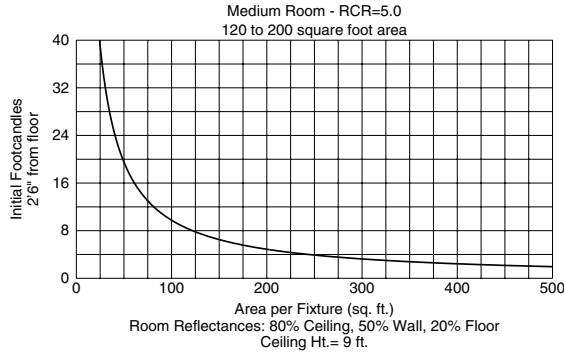
S/MH Ratio: 1.1 (0°) 1.2 (90°)

Single Fixture Data

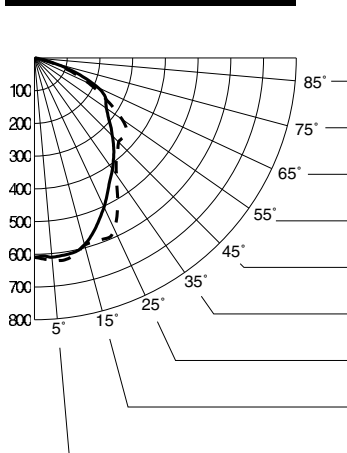
Ceiling Ht.(Ft.)	10% Values		Zero Degrees	50% Values	
	Beam Angle - 108°			Beam Angle - 61°	
	Ft.-C	Beam Dia.		Ft.-C	Beam Dia.
8	2.0	15	20.1	10.1	6
10	1.1	21	10.8	5.4	9
12	0.7	26	6.7	3.4	11
14	0.5	32	4.6	2.3	14
16	0.3	37	3.3	1.7	16

Ft.-C (Footcandles) are initial and measured 2'-6" from floor

Quick Calculator Charts



DISTRIBUTION CURVE



INTENSITY DATA

DEGREES	CANDELA	
	AT 0°	AT 90°
90	0	0
85	3	2
80	17	11
75	63	46
70	142	116
65	214	183
60	252	252
55	268	327
50	298	364
45	337	364
40	377	390
35	415	437
30	454	508
25	503	577
20	550	591
15	591	592
10	608	620
5	612	621
0	609	609

ZONAL CAVITY COEFFICIENTS OF UTILIZATION

RC	Effective Floor Cavity Reflectance 0.20																				
	80				70				50				30				10				0
	70	50	30	10	70	50	30	10	50	30	10	50	30	10	50	30	10	50	30	10	0
0	72	72	72	72	70	70	70	70	67	67	67	64	64	64	62	62	62	60			
1	66	64	62	59	65	63	60	59	60	58	57	58	56	55	55	54	53	52			
2	61	56	52	49	59	55	52	49	53	50	47	51	49	46	49	47	45	44			
3	56	50	45	41	54	49	44	41	47	43	40	45	42	39	44	41	39	37			
4	51	44	39	35	50	43	39	35	42	38	34	40	37	34	39	36	33	32			
5	47	39	34	30	46	39	34	30	38	33	30	36	33	30	35	32	29	28			
6	43	36	30	27	42	35	30	26	34	30	26	33	29	26	32	29	26	25			
7	40	32	27	24	39	32	27	23	31	27	23	30	26	23	29	26	23	22			
8	38	30	25	21	37	29	24	21	28	24	21	28	24	21	27	23	21	20			
9	35	27	22	19	34	27	22	19	26	22	19	25	22	19	25	21	19	18			
10	33	25	20	17	32	25	20	17	24	20	17	24	20	17	23	20	17	16			



P66-EBFB

P66-EBFB WITH P8030-28FB

Report No. 98177

No. Lamps: 2 Type Lamp: 26W CF QUAD-GE Total Lumens: 3400

Fixture Efficiency: 43.3%

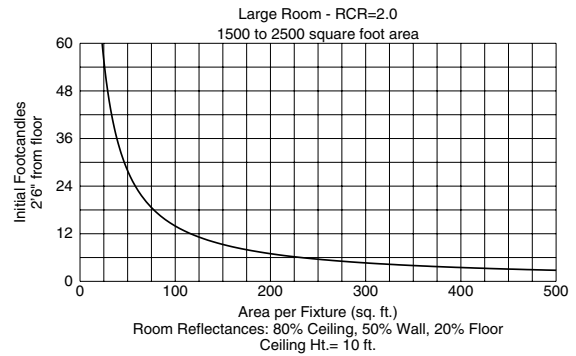
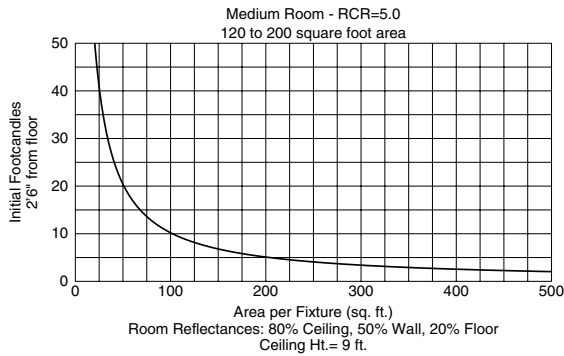
S/MH Ratio: 0.8 (0°) 1.0 (90°)

Single Fixture Data

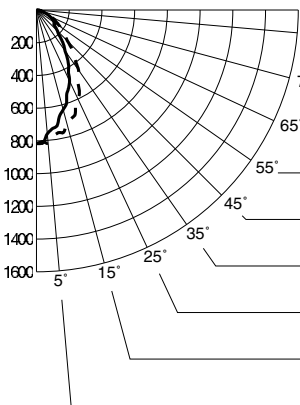
Ceiling Ht.(Ft.)	10% Values		Zero Degrees Ft.-C	50% Values	
	Beam Angle - 90°			Beam Angle - 49°	
	Ft.-C	Beam Dia.		Ft.-C	Beam Dia.
8	2.7	11	27.0	13.5	5
10	1.5	15	14.5	7.3	7
12	0.9	19	9.0	4.5	9
14	0.6	23	6.2	3.1	11
16	0.4	27	4.5	2.2	12

Ft.-C (Footcandles) are initial and measured 2'-6" from floor

Quick Calculator Charts



DISTRIBUTION CURVE



INTENSITY DATA

DEGREES	CANDELA	
	AT 0°	AT 90°
90	0	0
85	4	10
80	21	28
75	42	49
70	64	77
65	87	104
60	116	133
55	133	174
50	142	213
45	182	269
40	240	360
35	304	448
30	394	509
25	478	603
20	542	685
15	631	716
10	720	762
5	759	817
0	816	816

ZONAL CAVITY COEFFICIENTS OF UTILIZATION

Effective Floor Cavity Reflectance 0.20

RC	Effective Floor Cavity Reflectance 0.20																				
	80				70				50				30				10				0
RW	70	50	30	10	70	50	30	10	50	30	10	50	30	10	50	30	10	50	30	10	0
0	52	52	52	52	50	50	50	50	48	48	48	46	46	46	44	44	44	44	44	44	43
1	48	46	45	43	47	45	44	42	43	42	41	42	41	40	40	39	39	38	38	38	38
2	44	41	39	36	43	40	38	36	39	37	35	38	36	34	36	35	34	33	33	33	33
3	41	37	34	31	40	36	33	31	35	33	31	34	32	30	33	31	30	29	29	29	29
4	38	33	30	27	37	33	30	27	32	29	27	31	28	27	30	28	26	25	25	25	25
5	35	30	27	24	34	30	27	24	29	26	24	28	26	24	27	25	23	23	23	23	23
6	33	28	24	22	32	27	24	22	26	24	21	26	23	21	25	23	21	20	20	20	20
7	31	25	22	19	30	25	22	19	24	21	19	24	21	19	23	21	19	18	18	18	18
8	29	23	20	18	28	23	20	18	22	20	18	22	19	17	21	19	17	17	17	17	17
9	27	22	18	16	26	21	18	16	21	18	16	20	18	16	20	18	16	15	15	15	15
10	25	20	17	15	25	20	17	15	19	17	15	19	16	15	19	16	15	14	14	14	14