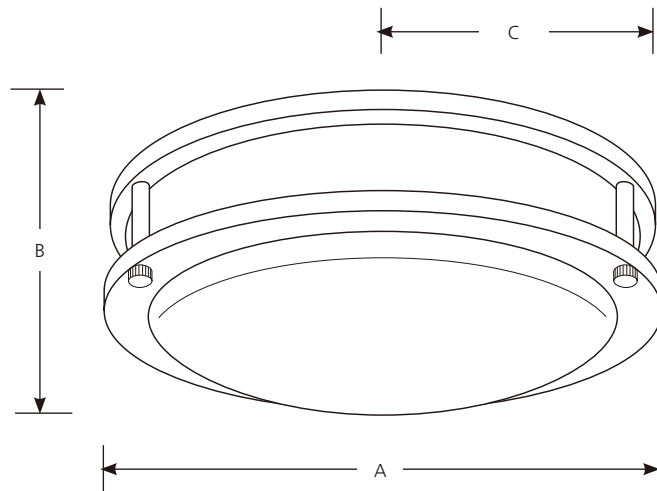




Type _____
 -09EBWB -174EBWB
 P7249

Catalog No.	Finish		Lamping	Dimensions (Inches)		
	Brushed Nickel	Urban Bronze		A	B	C
P7249	-09EBWB	-174EBWB	1-22w 4-Pin T9 (Included)	10-3/8	3-1/2	5-1/4



Specifications:

General

- White acrylic cover and side closure
- Twin circular trims separated by spacers
- Complies with " Americans with Disabilities Act" - ADA
- Steel construction
- One 22w 4 pin T9 circline fluorescent lamp included
- Plated brushed nickel (-09) or urban bronze (-174) finishes

Electrical

- 120v NPF electronic ballast
- 4 pin circline based socket
- Pre-wired

Labeling

- UL-CUL damp location listed

Mounting

- Wall or ceiling mounted
- Unit covers a standard recessed 4" octagonal outlet box
- Mounting strap for outlet box included