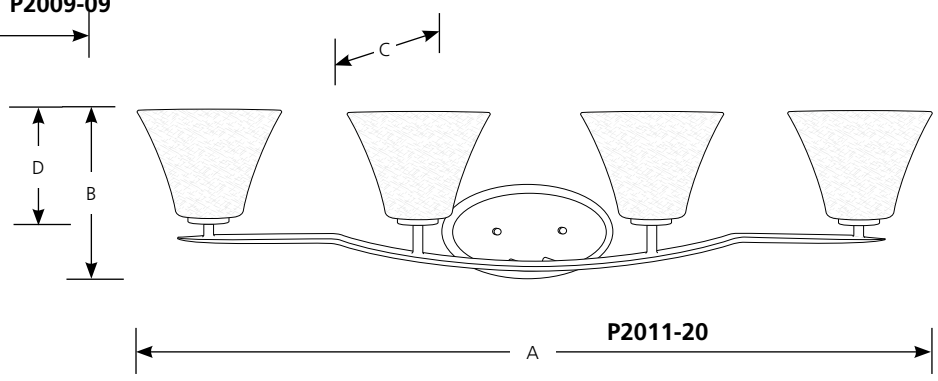
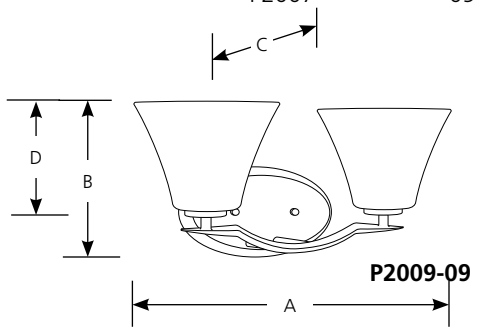


Type	_____	
	-09	-20
P2004	<input type="checkbox"/>	<input type="checkbox"/>
P2005	<input type="checkbox"/>	<input type="checkbox"/>
P2006	<input type="checkbox"/>	<input type="checkbox"/>
P2007	<input type="checkbox"/>	<input type="checkbox"/>

Catalog No.	Finish		Lamping	Dimensions (Inches)			
	Brushed Nickel	Antique Bronze		A	B	C	D
P2004	-09	-20	1 (m) 100w	7-1/4	9	8-3/4	4-1/2
P2005	-09	-20	2 (m) 100w	17	8-1/2	8-3/4	6-1/8
P2006	-09	-20	3 (m) 100w	26-3/4	8-3/4	8-3/4	6-3/8
P2007	-09	-20	4 (m) 100w	37-1/4	9	8-3/4	6-1/2



Specifications:

General

- White etched glass (-09) or etched amber linen glass (-20) shades: 7-3/16" dia.
- Can be mounted in "up" or "down" position
- Steel construction
- Hand painted antique bronze or plated brushed nickel finish

Electrical

- Ceramic medium based sockets
- Pre-wired

Labeling

- UL-CUL damp location listed

Mounting

- Wall mounted
- Back plate covers a standard recessed 4" octagonal outlet box
- Mounting strap for outlet box included
- Threaded socket ring secures glass