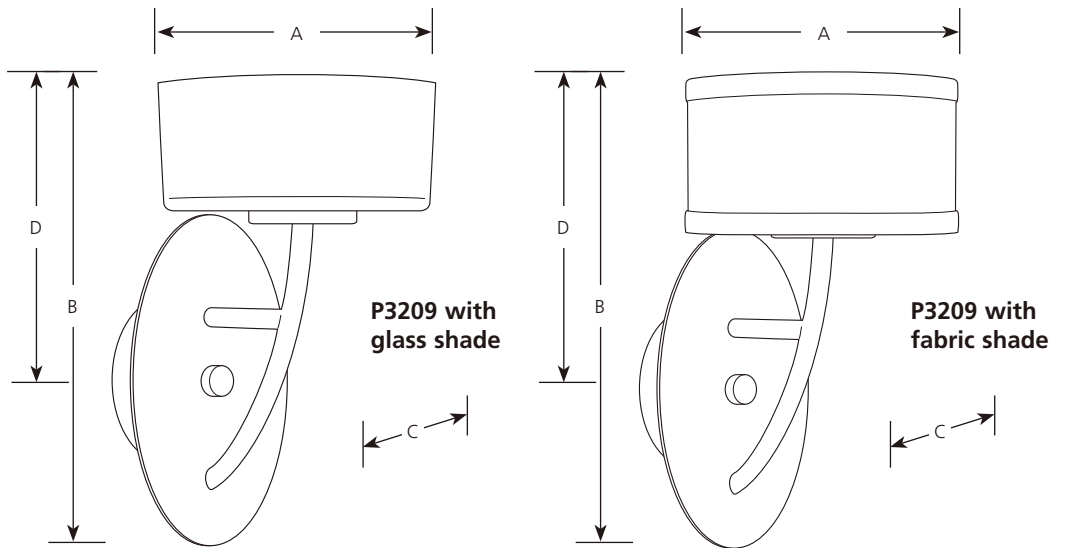


Type \_\_\_\_\_  
-80WB  
P3209

Catalog No.	Finish		Lamping	Dimensions (Inches)			
	Forged	Black		A	B	C	D
P3209	-80WB		1-60w G9 base halogen (included)	6-3/8	11	7-5/8	7



### Specifications:

#### General

- Etched opal glass or fabric shade (both included)
- Clear glass lamp shield
- Fabric shade includes an etched glass diffuser on bottom
- Hand painted forged black (-80WB) finish
- Steel construction
- Companion fixtures: Chandeliers, hall and foyer, wall bracket, close to ceiling, and additional bath and vanity

#### Mounting

- Wall mount
- Can be mounted in up or down position
- Canopy Covers a standard 4" octagonal recessed outlet box
- Mounting strap for outlet box included

#### Electrical

- Pre-wired
- G9 based sockets

#### Labeling

- cCSAus damp location listed