



Incandescent

Caress

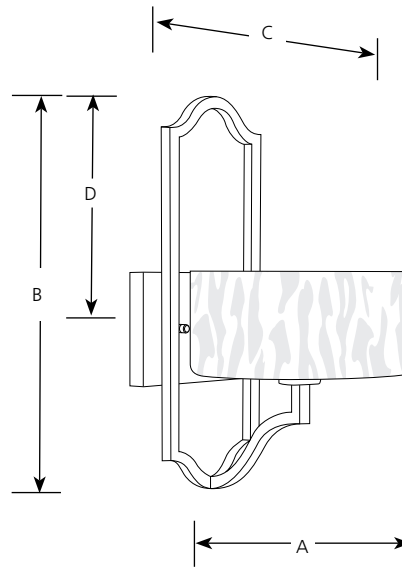
Sconces

Type _____

-104WB

P7046

| Catalog No. | Finish | | Lamping | Dimensions (Inches) | | | |
|-------------|-----------------|--|--------------------------|---------------------|----|-------|-------|
| | Polished Nickel | | | A | B | C | D |
| P7046 | -104WB | | 1 Krypton 60w (included) | 8 | 15 | 9-1/2 | 8-7/8 |



Specifications:

General

- Etched inner glass diffuser: 2" dia.
- Clear water outer glass shade: 8" dia.
- Polished Nickel plated finish
- Steel construction
- Companion Bath and Vanity, Chandelier, Close to ceiling, Hall and Foyer, Pendant, fixtures are available

Electrical

- E12 base porcelain sockets
- Pre-wired

Labeling

- cCSAus listed

Mounting

- Wall mount
- Back plate covers a standard 4" hexagonal recessed outlet box
- Mounting strap for outlet box included

Progress Lighting
 701 Millennium Blvd.
 Greenville, South Carolina
 29607

www.progresslighting.com

Rev. 8/12