



FireBox  
Compact  
Fluorescent Trim

**6" Pro-Optic FireBox Flush Flat Albalite  
2-Lamp Horizontal Firebox**

Recessed

Type \_\_\_\_\_

-60FB

P8033

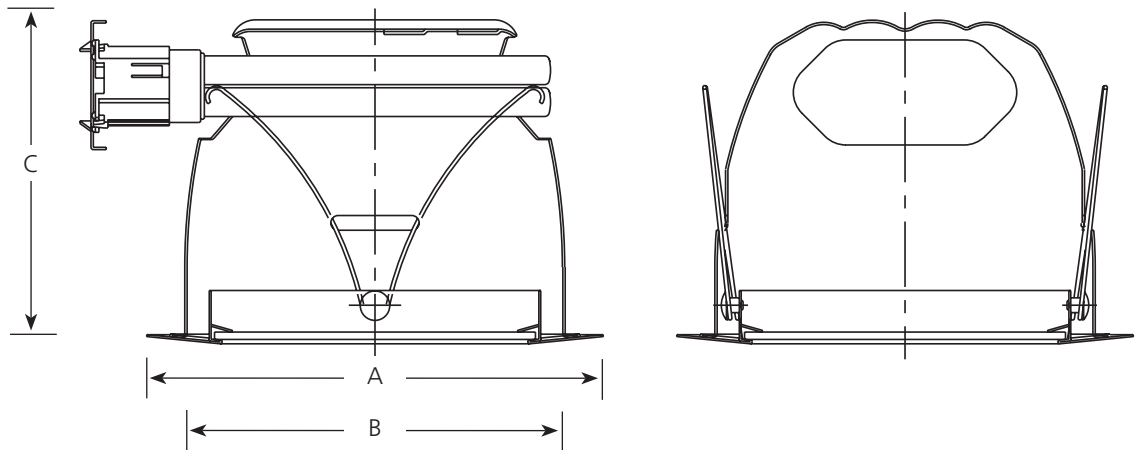
**Finish**

Catalog No.	Finish
P8033	-60FB

**Dimensions (Inches)**

A	B	C
7-3/4	6-3/8	5-7/16

Maximum Ceiling Thickness: 1-1/8"



**Lamp Wattage**

Housing	IC	Non-IC
P63-EBFB	N/A	2 13w Quad
P68-EBFB	N/A	2 18w Quad
P66-EBFB	N/A	2 26w Quad

**Specifications:**

Flange

- Bright white powdered painted metal flange

Trim

- All aluminum construction
- One piece conoid reflector with anodized clear finish
- No light leaks around trim flange
- Socket box mounts to trim for optimum performance, and consistent lamp position
- Trim retention accompanied by 3 spring clips located in aperture of housing
- Lens assembly with integral flange pulls positively to reflector with torsion springs

Lens

- White albalite glass
- Protects lamps from below ceiling
- Provides a broad, even distribution of light while minimizing visibility of lamp image

Labeling

- UL-CUL wet location listed
- Non-IC rated

Progress Lighting  
701 Millennium Blvd.  
Greenville, South Carolina  
29607

www.progresslighting.com  
Patent# 6,254,257

# P66-EBFB

## P66-EBFB WITH P8033-28

Report No. 99045

No. Lamps: 2 Type Lamp: 26W CF QUAD - GE Total Lumens: 3600

Fixture Efficiency: 9.6%

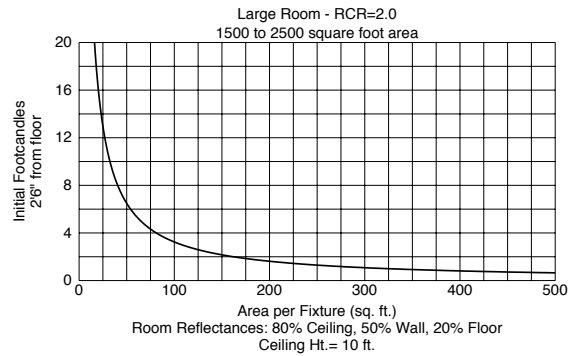
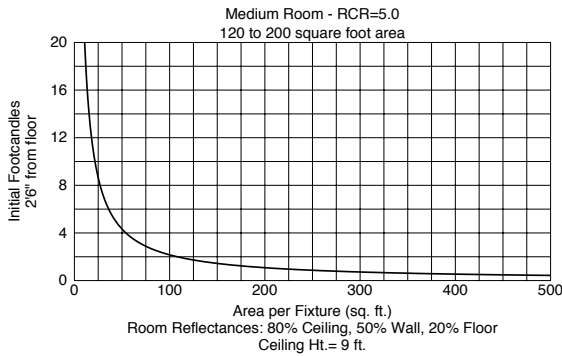
S/MH Ratio: 1.3 (0) 1.2 (90)

### Single Fixture Data

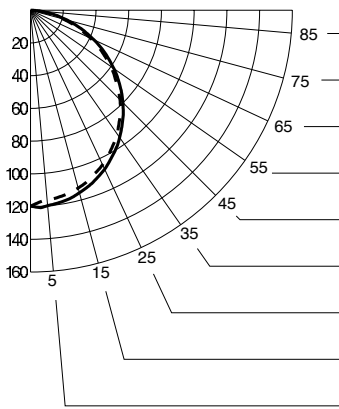
Ceiling Ht.(Ft.)	10% Values		Zero Degrees Ft.-C	50% Values	
	Beam Angle - 109			Beam Angle - 64	
	Ft.-C	Beam Dia.		Ft.-C	Beam Dia.
8	0.4	16	4.0	2.0	7
10	0.2	21	2.1	1.1	9
12	0.1	27	1.3	0.7	12
14	0.1	32	0.9	0.5	14
16	0.1	38	0.7	0.3	17

Ft.-C (Footcandles) are initial and measured 2'-6" from floor

### Quick Calculator Charts



#### DISTRIBUTION CURVE



#### INTENSITY DATA

DEGREES	CANDELA	
	AT 0°	AT 90°
90	0	0
85	6	4
80	14	12
75	23	21
70	33	30
65	43	40
60	53	50
55	62	60
50	71	68
45	80	77
40	88	85
35	95	92
30	101	98
25	107	104
20	112	109
15	116	113
10	118	115
5	120	117
0	120	120

#### ZONAL CAVITY COEFFICIENTS OF UTILIZATION

Effective Floor Cavity Reflectance 0.20

RC	Effective Floor Cavity Reflectance 0.20																									
	80				70				50				30				10				0					
RW	70	50	30	10	70	50	30	10	50	30	10	50	30	10	50	30	10	50	30	10	50	30	10	50	30	10
0	11	11	11	11	11	11	11	11	11	11	11	10	10	10	10	10	10	10	10	10	10	10	10	10	10	
1	10	10	9	9	10	10	9	9	9	9	9	9	9	8	9	8	8	8	8	8	8	8	8	8	8	
2	9	9	8	7	9	8	8	7	8	8	7	8	7	7	7	7	7	7	7	7	7	7	7	7	7	
3	9	8	7	6	8	7	7	6	7	6	6	7	6	6	6	6	6	6	6	6	6	6	6	6	6	
4	8	7	6	5	8	7	6	5	6	6	5	6	5	5	5	5	5	5	5	5	5	5	5	5	5	
5	7	6	5	4	7	6	5	4	6	5	4	5	5	4	5	5	4	5	5	4	5	5	4	4	4	
6	7	5	4	4	6	5	4	4	5	4	4	5	4	4	5	4	4	5	4	4	5	4	4	4	4	
7	6	5	4	3	6	5	4	3	5	4	3	4	4	3	4	4	3	4	4	3	4	4	3	3	3	
8	6	4	4	3	6	4	4	3	4	4	3	4	3	3	4	3	3	4	3	3	4	3	3	3	3	
9	5	4	3	3	5	4	3	3	4	3	3	4	3	3	4	3	3	4	3	3	4	3	3	3	3	
10	5	4	3	2	5	4	3	2	4	3	2	4	3	2	4	3	2	3	3	2	3	3	2	2	2	

