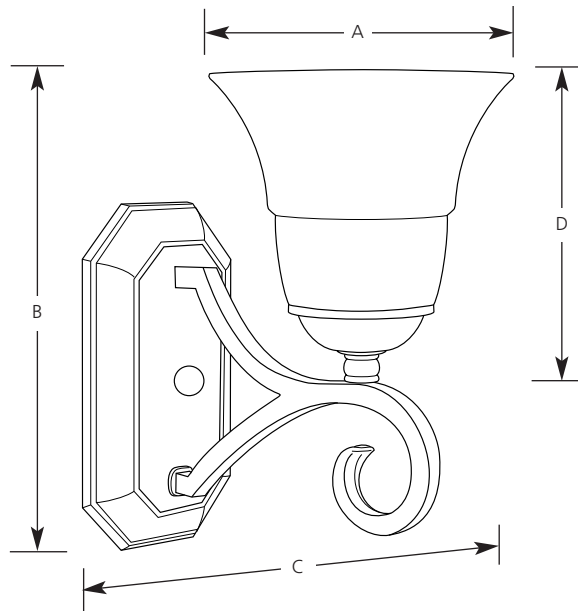


Type _____

-84

P2918

Catalog No.	Finish	Lamping	Dimensions (Inches)			
	Espresso		A	B	C	D
P2918	-84	1 (m) 100w	6-3/8	11-1/2	9	6-7/8



Specifications:

General

- Etched watermark glass shade
- Can be mounted in "up" or "down" position
- Steel construction
- Hand painted espresso finish
- Companion chandeliers, pendants, hall & foyer, close to ceiling, and bath & vanity units

Mounting

- Wall
- Back plate covers a standard recessed 4" octagonal outlet box
- Mounting strap for outlet box included

Electrical

- Ceramic medium based socket
- Threaded socket ring secures glass
- Pre-wired

Labeling

- UL-CUL "Damp Location" listed