

Type _____

-30

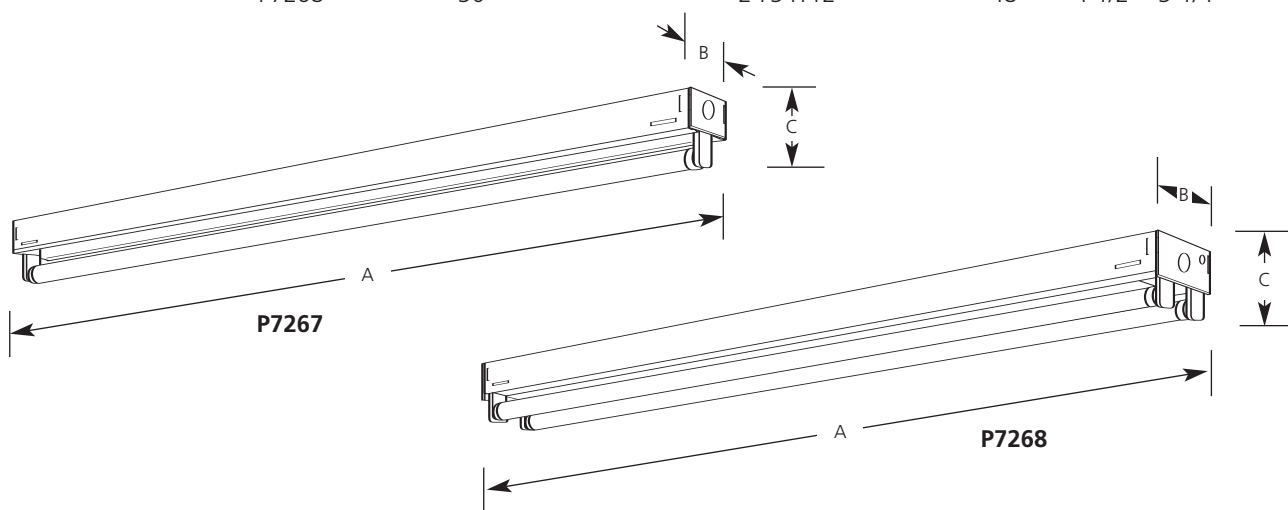
P7265

P7266

P7267

P7268

Catalog No.	Finish	Lamping	Dimensions (Inches)		
	White		A	B	C
P7265	-30	1-F20T12	24	3	3-1/4
P7266	-30	2-F20T12	24	4-1/2	3-1/4
P7267	-30	1-F34T12	48	3	3-1/4
P7268	-30	2-F34T12	48	4-1/2	3-1/4



Specifications:

General

- White painted finish
- Steel construction
- Horizontal or vertical mounting, ceiling or wall.

Mounting

- White cover plate
- 1/2" KO in back center and one near each end for wiring
- Mounting KO's near each end on the back plate.
- Outlet box covers required to mount narrower units, if outlet box is used

Electrical

- Bi-pin twist in sockets
- All units with an "EB" suffix have 120v NPF electronic ballasts.
- Non "EB" units have 120 volt NPF magnetic ballasts

Labeling

- UL-CUL listed

Type _____

-30EB

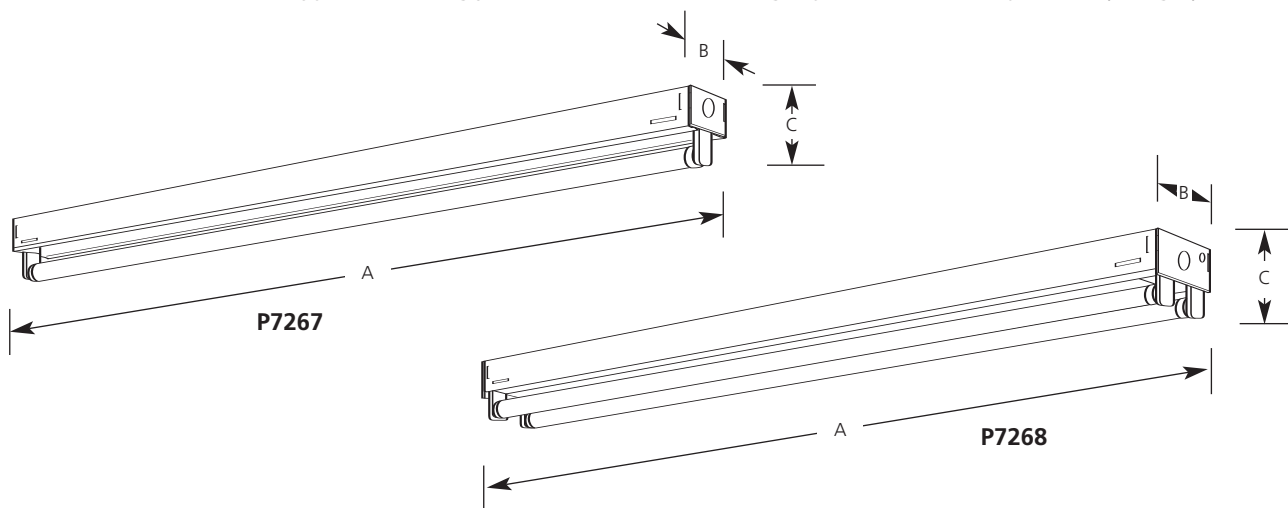
P7265

P7266

P7267

P7268

Catalog No.	Finish	Lamping	Dimensions (Inches)		
	White		A	B	C
P7265	-30EB	1-F17T8	24	3	3-1/4
P7266	-30EB	2-F17T8	24	4-1/2	3-1/4
P7267	-30EB	1-F32T8	48	3	3-1/4
P7268	-30EB	2-F32T8	48	4-1/2	3-1/4



Specifications:

General

- White painted finish
- Steel construction
- Horizontal or vertical mounting, ceiling or wall.
- All units with a "EB" suffix are Certified Energy Star products

Electrical

- Bi-pin twist in sockets
- All units with an "EB" suffix have 120v NPF electronic ballasts.
- Non "EB" units have 120 volt NPF magnetic ballasts

Mounting

- White cover plate
- 1/2" KO in back center and one near each end for wiring
- Mounting KO's near each end on the back plate.
- Outlet box covers required to mount narrower units, if outlet box is used

Labeling

- UL-CUL listed



Progress Lighting
 Post Office Box 5704
 Spartanburg, South Carolina
 29304-5704