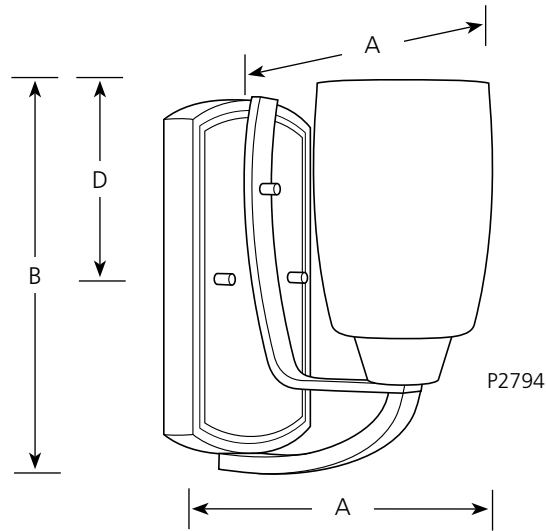


Type	-80	-105C
P2794	<input type="checkbox"/>	<input type="checkbox"/>
P2795	<input type="checkbox"/>	<input type="checkbox"/>
P2796	<input type="checkbox"/>	<input type="checkbox"/>
P2797	<input type="checkbox"/>	<input type="checkbox"/>

Catalog No.	Finish		Lamping	Dimensions (Inches)			
	Brushed Nickel	Antique Bronze		A	B	C	D
P2794	-09	-20	1 (m) 100w	4-1/2	8-1/4	6-1/4	3-7/8
P2795	-09	-20	2 (m) 100w	12-1/2	8-1/4	6-1/4	5-1/2
P2796	-09	-20	3 (m) 100w	21	8-1/4	6-1/4	5-1/2
P2797	-09	-20	4 (m) 100w	29-1/2	8-1/4	6-1/4	5-1/2



Specifications:

General

- Etched tulip shaped glass shades, 4" dia. x 5-1/4" T, 1-5/8" dia. center hole
- Flat steel arms
- Brushed Nickel (-09) is plated
- Antique Bronze (-20) is hand painted
- Steel construction
- Companion chandelier, hall and foyer, pendant, and close to ceiling

Mounting

- Wall mounted
- Backplate dimensions:
 - P2794: 4-1/2" W x 7-3/4" T x 3/4" deep
 - P2795, P2796, P2797: 7-3/4" W x 4-1/2" T x 3/4" deep
- Canopy covers a standard 4" hexagonal outlet box
- Mounting strap for outlet box included

Electrical

- Ceramic medium based sockets
- Pre-wired

Labeling

- UL-CUL damp location listed