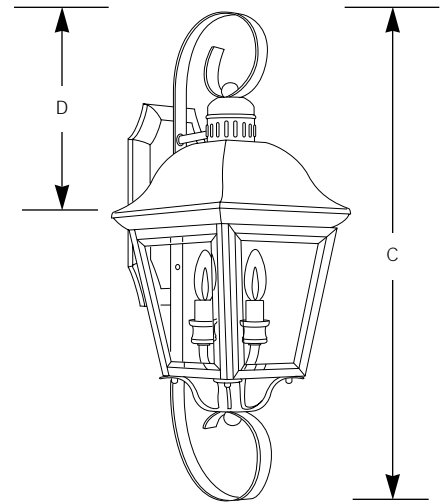
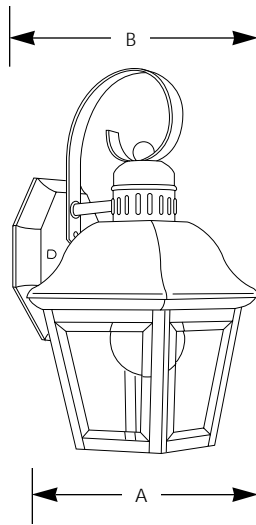


Type	-20	-44
P5687	<input type="checkbox"/>	<input type="checkbox"/>
P5688	<input type="checkbox"/>	<input type="checkbox"/>
P5689	<input type="checkbox"/>	<input type="checkbox"/>

Catalog No.	Finish		Lamping	Dimensions (Inches)			
	Antique Bronze	Oxford Silver		A	B	C	D
P5687	-20	-44	1-100w A19	5-1/2	6-1/4	12-1/2	6-1/4
P5688	-20	-44	2 (c) 60w	7-1/2	8-1/4	21-1/4	7-1/2
P5689	-20	-44	3 (c) 60w	9-1/2	10-1/4	26-1/4	9-1/4



Specifications:

General

- Antique Bronze or Oxford Silver finishes
- Candle covers match fixture finish
- All brass construction
- Clear beveled glass panels
- Hinged door for relamping (P5687 relamps from below)
- Matching post and chain-hung units available

Mounting

- Wall mount
- Covers outlet box
- Mounting strap for outlet box and cap nuts furnished

- P5687 back plate 4-3/4" W., 5-1/2" ht.
- P5688 back plate 4-3/4" W., 9" ht.
- P5689 back plate 5" W., 12" ht.

Electrical

- Medium based sockets
 - Porcelain with nickel plated brass screw shell
- Candelabra sockets
 - Phenolic sockets

Labeling

- UL-CUL wet location listed