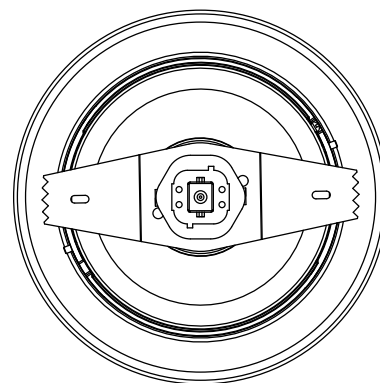
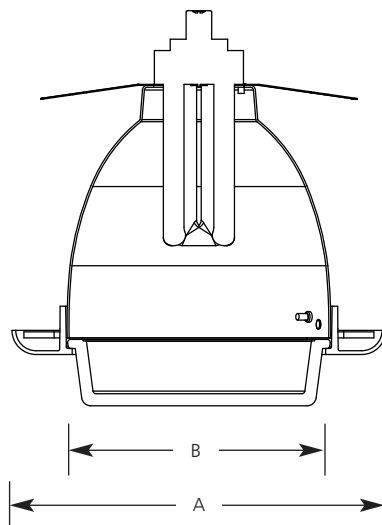


Type _____

-60

P8096

Catalog No.	Finish	Dimensions (Inches)	
	White Glass, Non-Metallic Flange	A	B
P8096	-60	7-3/4	5-1/8



Lamp Wattage

Housing	IC	Non-IC
P83-AT	13w 4-pin Triple-tube CF	13w 4-pin Triple-tube CF
P83-ICAT	13w 4-pin Quad/Triple-tube CF	13w 4-pin Quad/Triple-tube CF
P83-26ICAT	26w 4-pin Triple-tube CF	26w 4-pin Triple-tube CF
P83-26ICATDM	26w 4-pin Triple-tube CF	26w 4-pin Triple-tube CF
P88-ICAT	18w 4-pin Quad/Triple-tube CF	18w 4-pin Quad/Triple-tube CF
P183-EB	13w 4-pin Triple-tube CF	13w 4-pin Triple-tube CF
P183-26EB	26w 4-pin Triple-tube CF	26w 4-pin Triple-tube CF
P183-26DM	26w 4-pin Triple-tube CF	26w 4-pin Triple-tube CF

Specifications:

Flange

- White plastic flange
- No light leaks around trim flange
- Covers irregular ceiling openings

Lens

- Drop opal glass

Labels

- UL-CUL wet location listed

Trim

- Push-in leaf spring installation
- Socket mounts to trim for optimum performance and consistent lamp position
- Full aluminum interior conoid reflector

P8326-ICAT

P8326-ICAT With P8095-60

6" RECESSED/DOWNLIGHT With Drop Oval Lens

Report No. 1571

No. Lamps: 1 Type Lamp: 1-CF26DT/E/IN SYVANIA Total Lumens: 1800

Fixture Efficiency: 28.8%

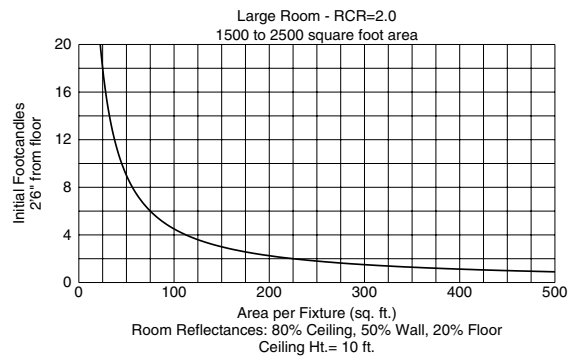
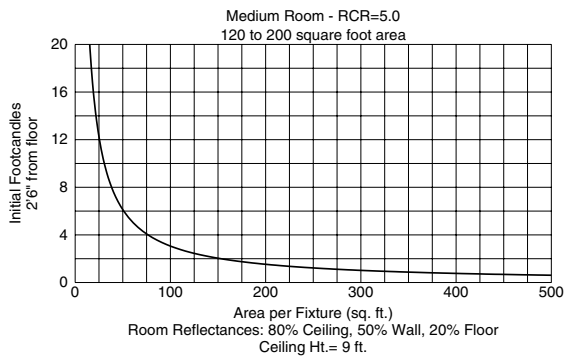
S/MH Ratio: 1.3

Single Fixture Data

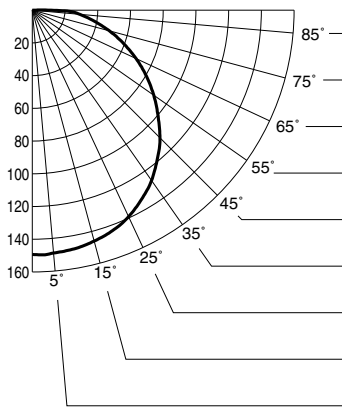
Ceiling Ht.(Ft.)	10% Values		Zero Degrees	50% Values	
	Beam Angle - 113°			Beam Angle - 67°	
	Ft.-C	Beam Dia.		Ft.-C	Beam Dia.
8	0.5	17	4.9	2.5	7
10	0.3	23	2.7	1.3	10
12	0.2	29	1.7	0.8	13
14	0.1	35	1.1	0.6	15
16	0.1	41	0.8	0.4	18

Ft.-C (Footcandles) are initial and measured 2'-6" from floor

Quick Calculator Charts



DISTRIBUTION CURVE



INTENSITY DATA

DEGREES	CANDELA
90	22
85	29
80	38
75	49
70	59
65	70
60	81
55	91
50	100
45	110
40	119
35	127
30	134
25	139
20	143
15	146
10	148
5	149
0	149

ZONAL CAVITY COEFFICIENTS OF UTILIZATION

Effective Floor Cavity Reflectance 0.20

RC	Effective Floor Cavity Reflectance 0.20																							
	80				70				50				30				10				0			
	RW	70	50	30	10	70	50	30	10	50	30	10	50	30	10	50	30	10	50	30	10	0		
0	34	34	34	34	33	33	33	33	32	32	32	30	30	30	29	29	29	29	29	29	29			
1	30	29	27	26	30	28	27	26	27	26	25	26	25	24	25	24	23	23	23	23	23			
2	27	25	23	21	27	24	22	20	23	21	20	22	21	19	21	20	19	18	18	18	18			
3	25	22	19	17	24	21	19	17	20	18	16	19	18	16	19	17	16	15	15	15	15			
4	23	19	16	14	22	19	16	14	18	16	14	17	15	14	16	15	13	13	13	13	13			
5	21	17	14	12	20	17	14	12	16	14	12	15	13	12	15	13	12	11	11	11	11			
6	19	15	12	10	19	15	12	10	14	12	10	14	12	10	13	12	10	9	9	9	9			
7	18	14	11	9	17	13	11	9	13	11	9	13	11	9	12	10	9	8	8	8	8			
8	17	12	10	8	16	12	10	8	12	10	8	11	9	8	11	9	8	7	7	7	7			
9	15	11	9	7	15	11	9	7	11	9	7	11	9	7	10	8	7	7	7	7	7			
10	14	11	8	7	14	10	8	7	10	8	7	10	8	6	10	8	6	6	6	6	6			