



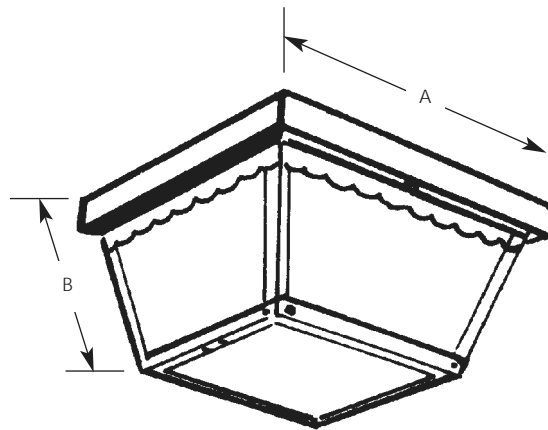
Incandescent

Scalloped Edge
Ceiling Mount

Outdoor

Type _____
-31
P5727

Catalog No.	Finish	Lamping	Dimensions (Inches)	
	Black		A	B
P5727	-31	1-60w A19	7-1/2	5



Specifications:

General

- White full galvanized steel back plate
- Textured glass panels
- Panels held into outer cage which attaches with two thumb screws
- Outer cage - Powder coated finish on steel

Mounting

- Ceiling mount
- Covers any outlet box
- Outlet box mounting strap provided for center lock up mounting

Electrical

- Medium base porcelain sockets with nickel plated brass screw shell

Labeling

- UL-CUL damp location listed