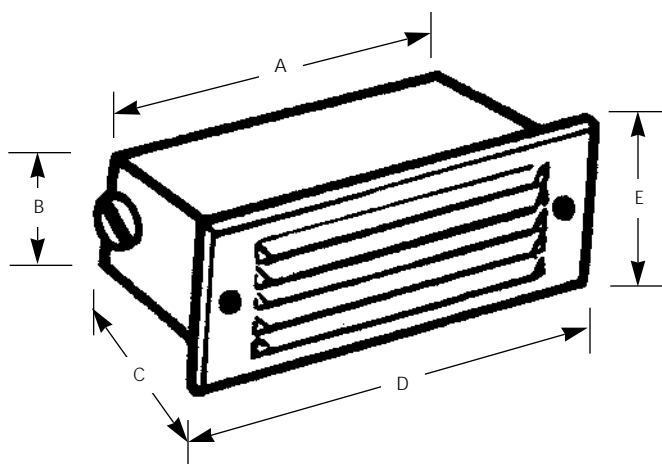


Type _____
 -31
 P6802

| Catalog No. | Finish | | | Dimensions (Inches) | | | | |
|-------------|--------|---------|--------|---------------------|-------|-------|--------|-------|
| | Black | Lamping | Socket | A | B | C | D | E |
| P6802 | -31 | 1-7w CF | G23 | 7-3/4 | 2-1/2 | 3-1/8 | 8-5/16 | 3-1/8 |



Specifications:

General

- Sized to replace standard brick dimensions
- Cast aluminum housing
- Stamped aluminum louvered face plate painted black
- White aluminum interior reflector
- Clear acrylic panel mounted behind the louver to provide a sealed unit

Mounting

- Recessed mounting in brick, masonry, and poured concrete
- Wood mounting not available

Electrical

- 120 volt NPF ballast
- Minimum starting temperature - 0 degrees
- Three 1/2" I.P. conduit entries
- G23 compact fluorescent socket
- Can wire units in rows without need for separate outlet boxes
- Pre-wired

Labeling

- UL-CUL wet location listed