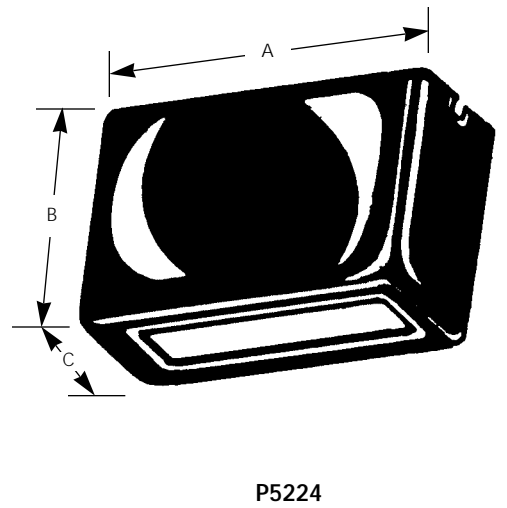
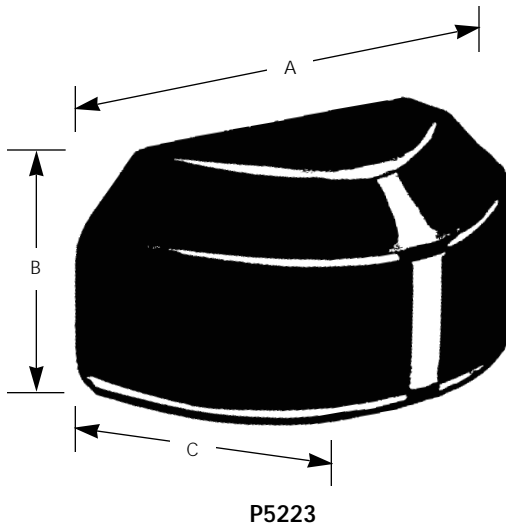


Type	_____	
	-31WB	-54WB
P5223	<input type="checkbox"/>	<input type="checkbox"/>
P5224	<input type="checkbox"/>	

Catalog No.	Finish			Dimensions (Inches)		
	Black	Natural Deck	Lamping	A	B	C
P5223	-31WB	-54WB	1-13w T5 wedge (included)	3	1-1/2	1-7/8
P5224	-31WB	N/A	1-13w T5 wedge (included)	3	1-3/4	1-3/8



**Specifications:**

General

- Cast aluminum construction
- Powder coat Black (-31) or Natural Deck (-54) finishes (P5223 only)
- P5224 has a sealed lens in the bottom of the unit

Mounting

- P5223 - Mounts directly to vertical posts - width is less than a standard 4x4
- P5224 - Mounts under railings - width less than the 4" nominal dimension of a 2x4

Electrical

- Wedge based socket
- Lamp included (#912)
- P5223 furnished with 72" of wire
- P5224 designed to take feed through or termination of #12 and #16 cable for continuous runs or end of run
- Both units must be wired to an approved 12 volt transformer

Labeling

- UL-CUL wet location listed