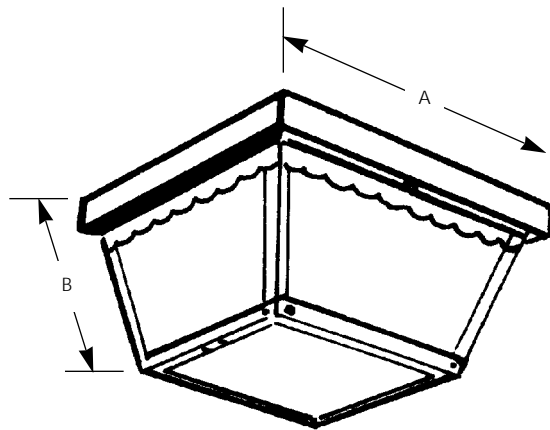


Type \_\_\_\_\_  
 -31  
 P5729

Catalog No.	Finish	Lamping	Dimensions (Inches)	
			A	B
P5729	Black -31	2-60w A19	9-1/4	5



**Specifications:**

General

- White full galvanized steel back plate
- Textured glass panels
- Panels held into outer cage which attaches with two thumb screws
- Outer cage - Powder coated finish on steel

Electrical

- Medium base porcelain sockets with nickel plated brass screw shell

Labeling

- UL-CUL wet location listed

Mounting

- Ceiling mount
- Covers any outlet box
- Outlet box mounting strap provided for center lock up mounting