



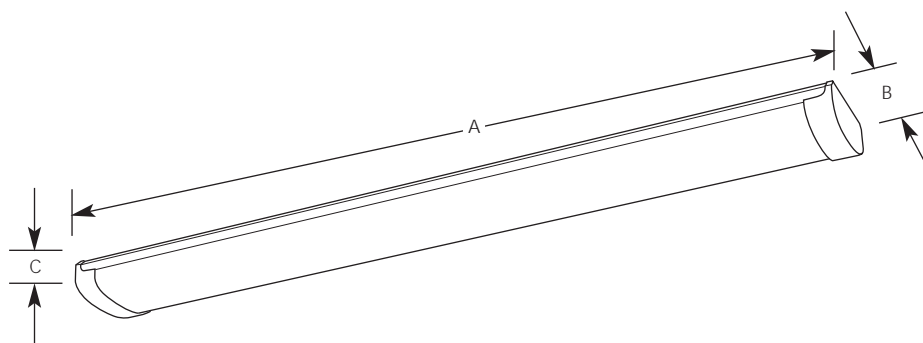
Linear Fluorescent

Slim Line Wrap  
Energy Star

Modular Fluorescent

Type \_\_\_\_\_  
-30STR  
P7189

Catalog No.	Finish White	Lamping	Dimensions (Inches)		
			A	B	C
P7189	-30STR	2- F32T8	50-5/8	6-1/4	2-1/2



**Specifications:**

General

- White acrylic diffuser
- Slim (2-1/2" deep) profile
- White end caps
- Unit complies with Energy Star requirements
- Uses T8 lamps for electronic ballast
- Steel construction

Electrical

- Pre-wired
- 120v NPF electronic ballast
- Bi-pin twist in lampholders

Labeling

- UL-CUL listed

Mounting

- Ceiling mount
- Fixture housing covers a standard 4" octagonal recessed outlet box
- Keyhole slots for easy fixture mounting



Progress Lighting  
Post Office Box 5704  
Spartanburg, South Carolina  
29304-5704

www.progresslighting.com