



Compact Fluorescent
Housings

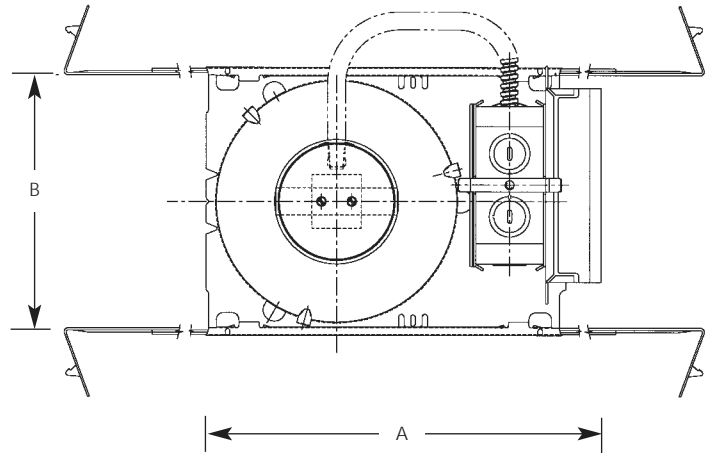
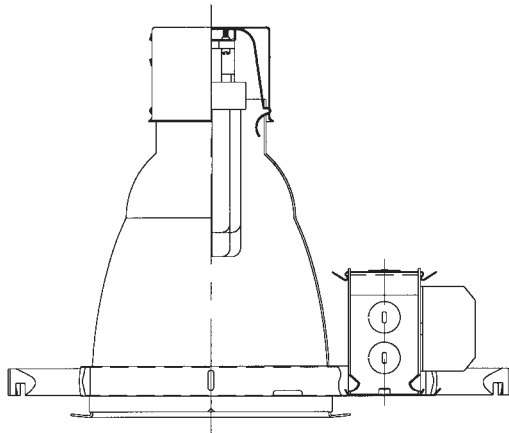
**6" Triple Tube CF
Single Lamp Vertical
Non-IC**

Recessed

Type _____

P632-EB

Catalog No.	Lamping	Dimensions (Inches)	
		A	B
P632-EB	26w, 32w or 42w Triple Tube CF	10	7-3/8 Ceiling Opening 6-7/8



• Trim must be ordered separately; P6715 trim shown above.

Specifications:

Wiring

- Universal junction box with snap-out sides
- Grounding pigtail
- Knockout free Romex clamps
- 1/2" & 3/4" knockouts for rigid or BX fittings
- Electronic HPF 120-277volt ballast
- 50-60Hz

- Lock to secure housing
- Captive
- 90-degree mounting for tight spaces

Labeling

- UL-CUL listed for damp location and through branch wiring
- Non-IC rated
- approved for use in New York City per calendar #42270

Construction

- Single lamp vertical 26, 32 or 42w Triple tube GX24q-3/4 compact fluorescent
- Notched housing for chalkline or laser alignment
- Full wrap-around mounting frame
- Removable K.O. for remodel use (P8607-01 plaster frame clips also required)
- Galvanized steel construction

Lamp/Trim

- Trim retention accomplished by three tension springs located in aperture of housing

Lamp Wattage	Voltage	Current Amps	Line Input Watts	Min. Start Temp
26w Triple Tube	120	0.25	28	0°
26w Triple Tube	277	0.11	28	0°
32w Triple Tube	120	0.32	36	0°
32w Triple Tube	277	0.14	36	0°
42w Triple Tube	120	0.42	48	0°
42w Triple Tube	277	0.18	48	0°

Total Harmonic Distortion <10%
Lamp Current Crest Factor <1.5
Power Factor >.98
End of Lamp Life Circuit Shutdown Protection

Bar Hangers

- Integral nailers for wood joist construction
- Integral T-bar mounting clamps
- Span 24" T-bar spacing

Progress Lighting
Post Office Box 5704
Spartanburg, South Carolina
29304-5704

www.progresslighting.com